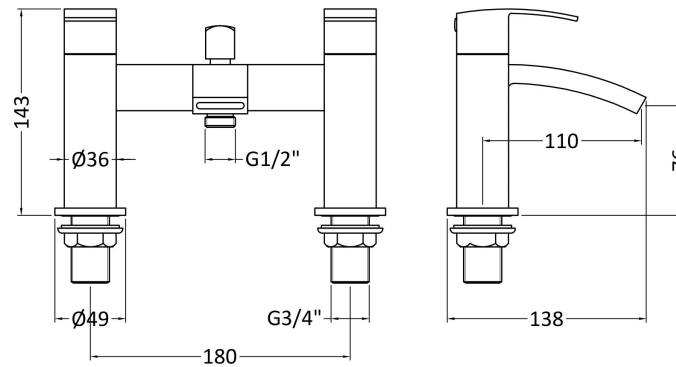


Sales Code: TSI304

Description: Bath Shower Mixer



Product Dimensions

| | |
|-------------------|------|
| Height (mm): | 154 |
| Width (mm): | 230 |
| Depth (mm): | 157 |
| Length (mm): | |
| Nett Weight (kg): | 2.45 |

Packaging Dimensions

| | |
|--------------------|------|
| Height (mm): | 155 |
| Width (mm): | 218 |
| Depth (mm): | 150 |
| Gross Weight (kg): | 2.65 |

Packaging Data

| | |
|---------------|---------------------|
| Box Colour: | White Cardboard Box |
| Box Qty: | 0 |
| Label Size: | 0 x 0 |
| Label Colour: | White Label |
| Label Qty: | 0 |

Outer Box Dimensions (If Applicable)

| | |
|--------------------|---------------|
| Height (mm): | 260 |
| Width (mm): | 485 |
| Depth (mm): | 445 |
| Length (mm): | |
| Gross Weight (kg): | 16 |
| Barcode: | 5055369025541 |

Product Details

| | |
|---------------------------|-----------------------|
| Country of Origin: | China |
| Fitting Instruction: | Yes |
| Product Material: | Brass/ABS |
| Control Type: | Manual |
| Waste Included: | Waste Not Included |
| Waste Type: | Not Applicable |
| WRAS Approval: No | Approval No: N/A |
| Valve/Cartridge Type: | 1/4 Turn Ceramic Disc |
| Colour/Finish: | Chrome |
| Mount Type: | Deck |
| Operating Pressure (bar): | 0.2 |

| | | | | | |
|------------------------------|------------------|-------------|-----------|----------|----------|
| Flow Rates: (Litres Per Min) | 0.1 bar: 8 | 0.5 bar: 24 | 1 bar: 34 | 2 bar: 0 | 3 bar: 0 |
| Pipe Size: | 22 mm (3/4" Bsp) | | | | |
| Pipe Centres: | 180 mm | | | | |