

# Technical Datasheet

Product Code: TTR-501BB



Product Description: **Tumbler holder with glass Brushed Brass**

## Specification

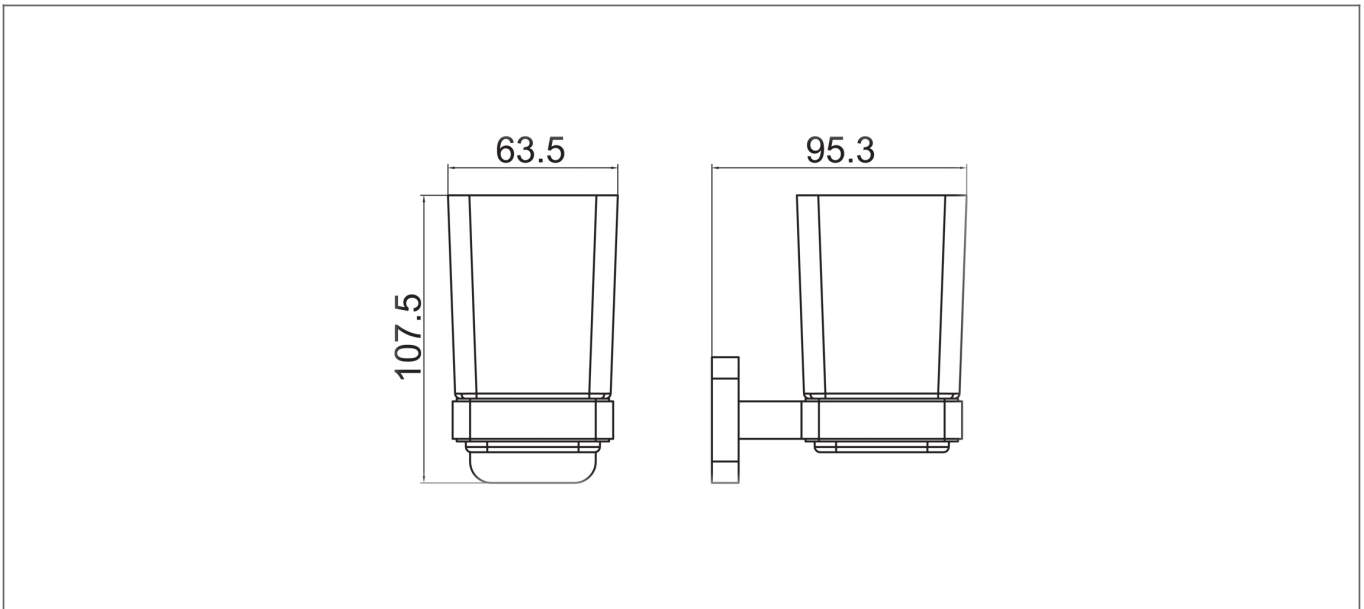
Material:	Brass
Style:	Modern
Shape:	Round
Colour:	Brushed Brass
Packaged Weight (kg):	2 kg
Packaged Length (Metre):	0.485
Packaged Width (Metre):	0.425
Packaged Height (Metre):	0.295



## Key Features

- High quality, long lasting brushed brass finish to compliment any style
- Manufactured from high quality brass
- Space saving design ideal for wall mounting
- Other finishes are also available too choose from
- Matching items are also available from the Trisen brand

## Technical Drawing



Dimensions: All measurements are in millimetres and are subject to normal manufacturing variations.

Due to a continuing development programme to improve design and performance, we reserve all rights to vary specifications without prior notice. Please note, all accessories are for photographic purposes only.