

Technical Datasheet

Product Code: TW008



Product Description: **Trisen Bottle Trap Black**

Specification

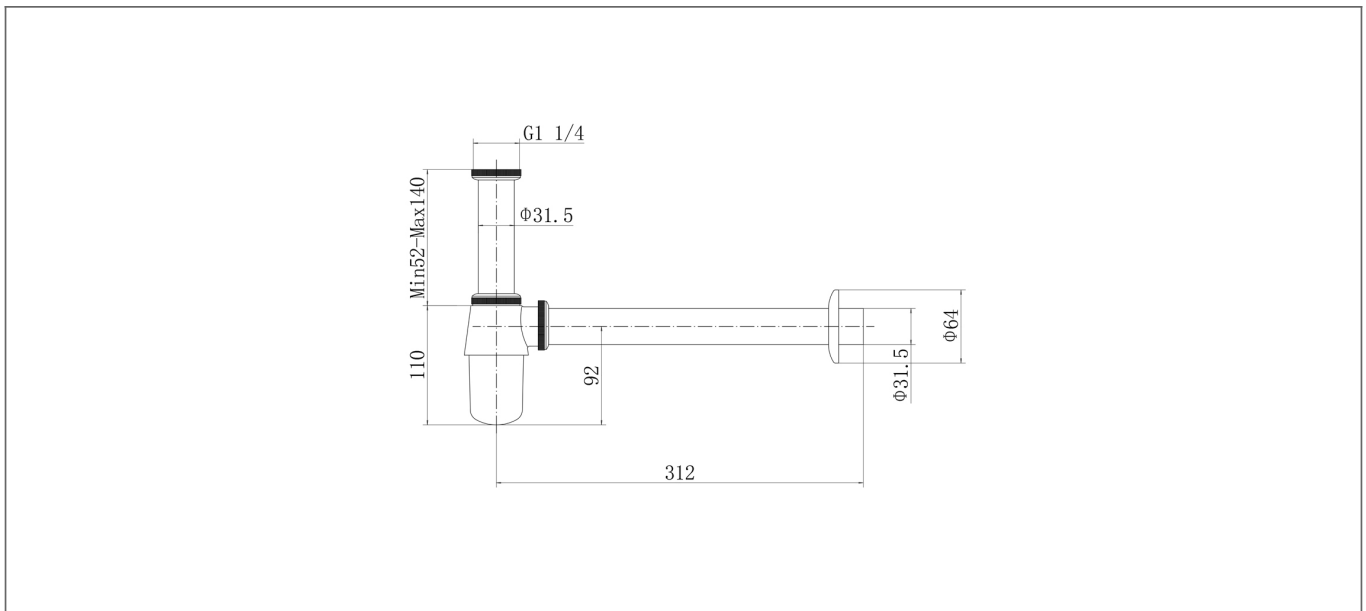
Material:	Brass
Style:	Modern
Shape:	Round
Colour:	Black
Barcode:	5056474533778
Packaged Weight (kg):	0.49 kg
Packaged Length (Metre):	0.34
Packaged Width (Metre):	0.28
Packaged Height (Metre):	0.32



Key Features

- Helps to keep your bathroom hygienic & safe from bacteria
- Manufactured from high quality materials
- For peace of mind, this product comes with a market leading lifetime guarantee
- Other colours are also available to choose from

Technical Drawing



Dimensions: All measurements are in millimetres and are subject to normal manufacturing variations.

Due to a continuing development programme to improve design and performance, we reserve all rights to vary specifications without prior notice. Please note, all accessories are for photographic purposes only.