

Francis Pegler

Panacea tall monobloc basin mixer with click waste

Tall monobloc basin mixer



General Information

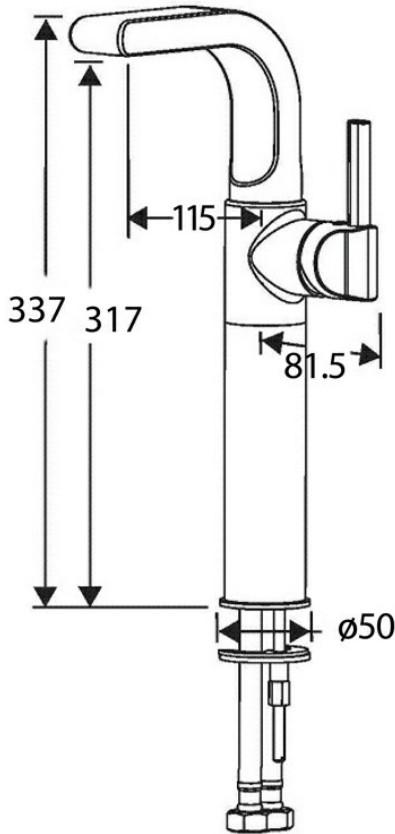
Panacea Tall Basin Mixer (inc Click-waste)

The distinct design of the Francis Pegler Panacea range is sleek and contemporary. The range features a versatile swivel spout that delivers a perfect stream of water

- Suitable for both High and Low water pressure systems - min 0.1 bar
- Single lever ceramic disc cartridge for easy use
- Comes complete with flexible tails for easy installation

Size Pattern No. Pack 1 Qty Pack 2 Qty Code Barcode Price (£) each ex VAT

Tall monobloc basin mixer



Dimensions

Code	Description	Dimensions
4P2003	Tall Monobloc Basin Mixer	See image

Pegler Yorkshire reserve the right to change specifications

Guarantee

10 Year Guarantee

Luxury Taps and Mixers

Pegler Yorkshire Customcare 10 Year Guarantee - Terms and Conditions

Product are subject to a 10 year guarantee that is between Pegler Yorkshire and the final purchaser of the product.

The guarantee is subject to proof of purchase being supplied.

This guarantee does not affect any statutory rights the consumer may have in law.

The guarantee covers manufacturing or material defects and does not cover parts subject to normal wear and tear.

Finishes other than chrome are covered for a period of 3 years only and the guarantee on the finish is subject to the cleaning instructions being followed.

The guarantee is not applicable where the product is fitted contrary to the conditions in the fitting instructions.

Abusive behaviour and accidental damage to the product are not covered by this guarantee.

The extent of this liability is limited to the cost of the replacement of the defective item and not to fitting or consequential damages.

Care and Maintenance

Care

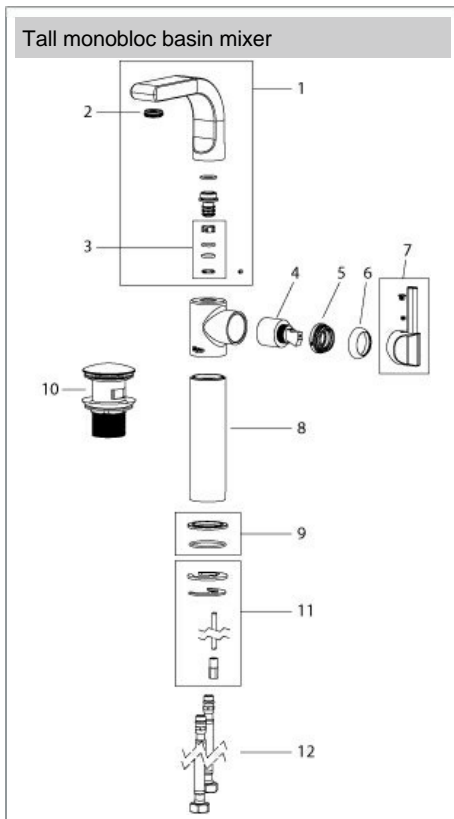
To maintain the surface finish, simply wipe occasionally with a mild detergent on a soft damp cloth. Dry, using a soft cloth. Never use abrasive cleaners or chemical household cleaners and avoid contact with concentrated bleach.

Maintenance

No regular maintenance is required for this product.

In case of complete replacement Pegler recommend service valves should be fitted to the supply inlets.

For any further help or replacement parts please contact the Service Support Team on 0800 1560050.



Spare Key	Description	Code	Barcode	Date From	Date To	Price (£) ex VAT
1						
1	SPT44CP Spout Assembly	854817	5022050352170	01/01/1900	06/09/2018	£0.00
2						
2	OA12 Outlet	854819	5022050352279	01/01/1900	06/09/2018	£0.00
3						
3	SK24 Head Seal Kit	854580	5022050329578	01/01/1900	To Current	£0.00
4						
4	HK114 Headwork Cartridge	854773	5022050350787	01/01/1900	To Current	£0.00
5						
5	H10 Head	854767	5022050350695	01/01/1900	06/09/2018	£0.00
6						
6	HKS37 Headwork Shroud	854768	5022050350183	01/01/1900	06/09/2018	£0.00
7						
7	HD156 Handle with Indice	854769	5022050350244	01/01/1900	To Current	£0.00
8						
8	EX7 Extension	854619	5022050329059	01/01/1900	06/09/2018	£0.00
9						
9	FL41 Flange	854599	5022050232779	01/01/1900	06/09/2018	£0.00
10						
10	CW1 Click Waste	854493	5022050224705	01/01/1900	06/09/2018	£0.00
11						
11	FP58 Fixing Pack	854570	5022050328847	01/01/1900	06/09/2018	£0.00
12						
12	HO13 Flexible Hose Pair	854571	5022050328922	01/01/1900	06/09/2018	£0.00

