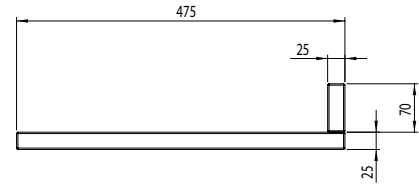
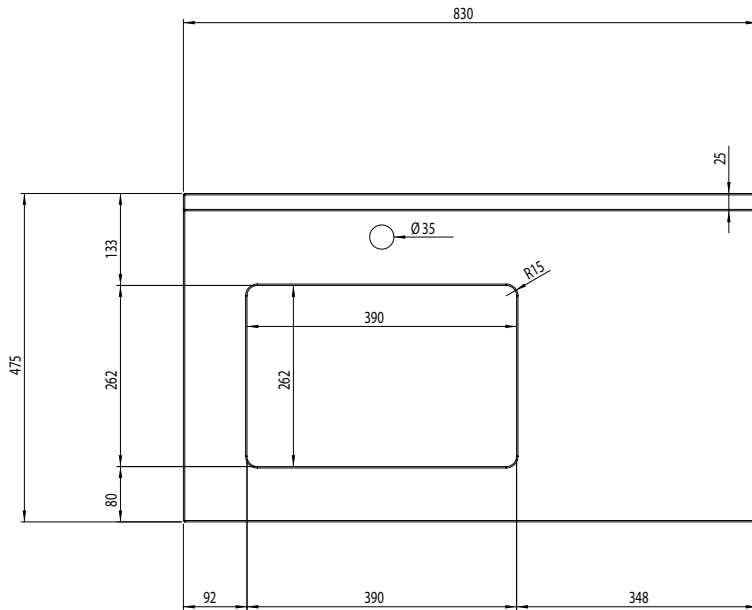


# Technical Data Sheet

# ROPER RHODES®

## HAMPTON 800mm Underslung Worktop and Upstand

Whats in the box: 1x HAM4W8US.X + Fixing Pack



Diagrams not to scale  
All dimensions in mm  
tolerance of +/-5mm

\*Dimensions are subject to change, customers are advised to measure actual product before commencing installation.

\*\*Fixing point dimensions are for guidance only/the positions of wall fixing must be checked when product is received.

### Materials

Worktop: Solid Surface

Upstand: Solid Surface

### Solid Surface Information

Has many names including:

- Corian
- LG Hi-macs

A homogenous compound mixture of polyester and aluminium trihydrate (derived from a natural Bauxite ore). Basically the same material all the way through so can be cut and sanded back to perfect finishes. Aluminium trihydrate is Moulded, vacuum treated and then finished by hand to create a perfectly smooth matt finish which is highly dimensionally accurate. Can be sanded and refinished should any stains occur due to misuse. Can be patch repaired by simple sanding back since material is homogenous (same all the way through).

Material Benefits:

- Point impacts (255g ball dropped from 610mm)
- Stain resistant
- Colourfast
- Temperature resistance

### FAQs

Q: What tools are suitable for cutting the worktop?

A: Fine tooth saw, router, circular or jigsaw. Please refer to the instructions provided.

Q: What cleaning products are suitable for this worktop?

A: Please refer to the instructions provided.

Q: Is the marble worktop sealed?

A: The marble is sealed at the point of manufacture. We do recommend to reseal the marble periodically like other natural stone products.

Q: Is the upstand suitable with all taps?

A: The upstand is suitable with all taps except Wessex 3TH.