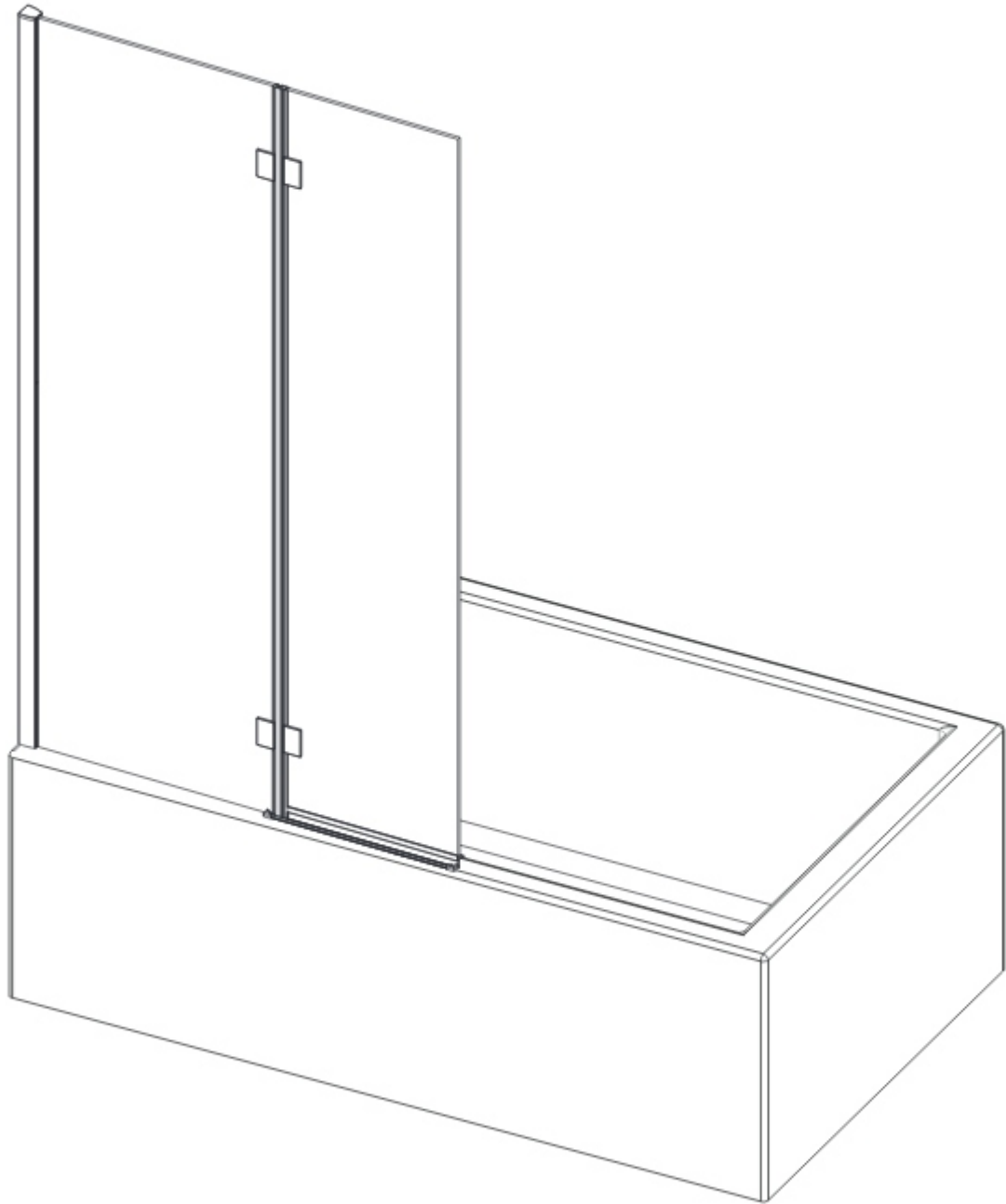
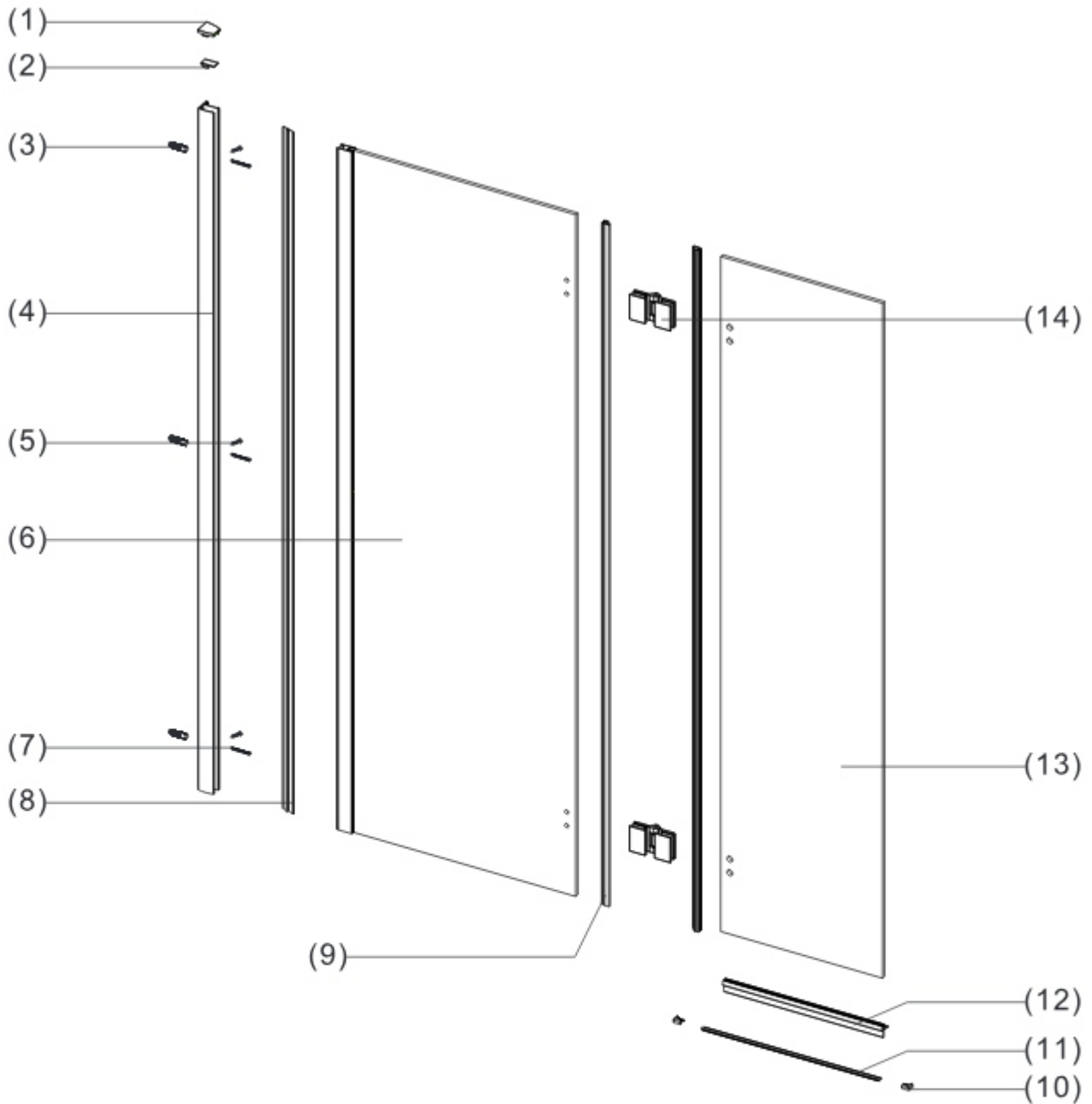


IN PACK BATHSCREEN



ASSEMBLY INSTRUCTIONS - DRAWING


NB: ALL MEASUREMENTS + COMPONENT SIZES QUOTED ARE IN MM.




Parts List			Parts List				
1	N011307 & N011308	Wall Profile Cover Caps	2	8	LK0402010	Wall Profile Cover Strip	1
2	N011381	Upright Profile Cover Cap	1	9	CT0035-8H	Magnet Seals	2
3	N01135	Wall Plugs	3	10	N01114 & N01115	Drip Strip End Caps L/R	2
4	LZ2342010	Wall Profile	1	11	LL0042010	Drip Strip	1
5	M20412	Round Screws ST4x12	3	12	JT0004-8-16/14TS	Bottom Seal	1
6	A	Fixed Panel	1	13	B	Moving Panel	1
7	M20430	Round Screws ST4x30	3	14	M02005	Hinges	2








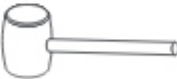



FIXING KIT COMPONENTS

x1	x3	x3	x3	x2
				
N011381	N01135	M20430	M20412	M02005

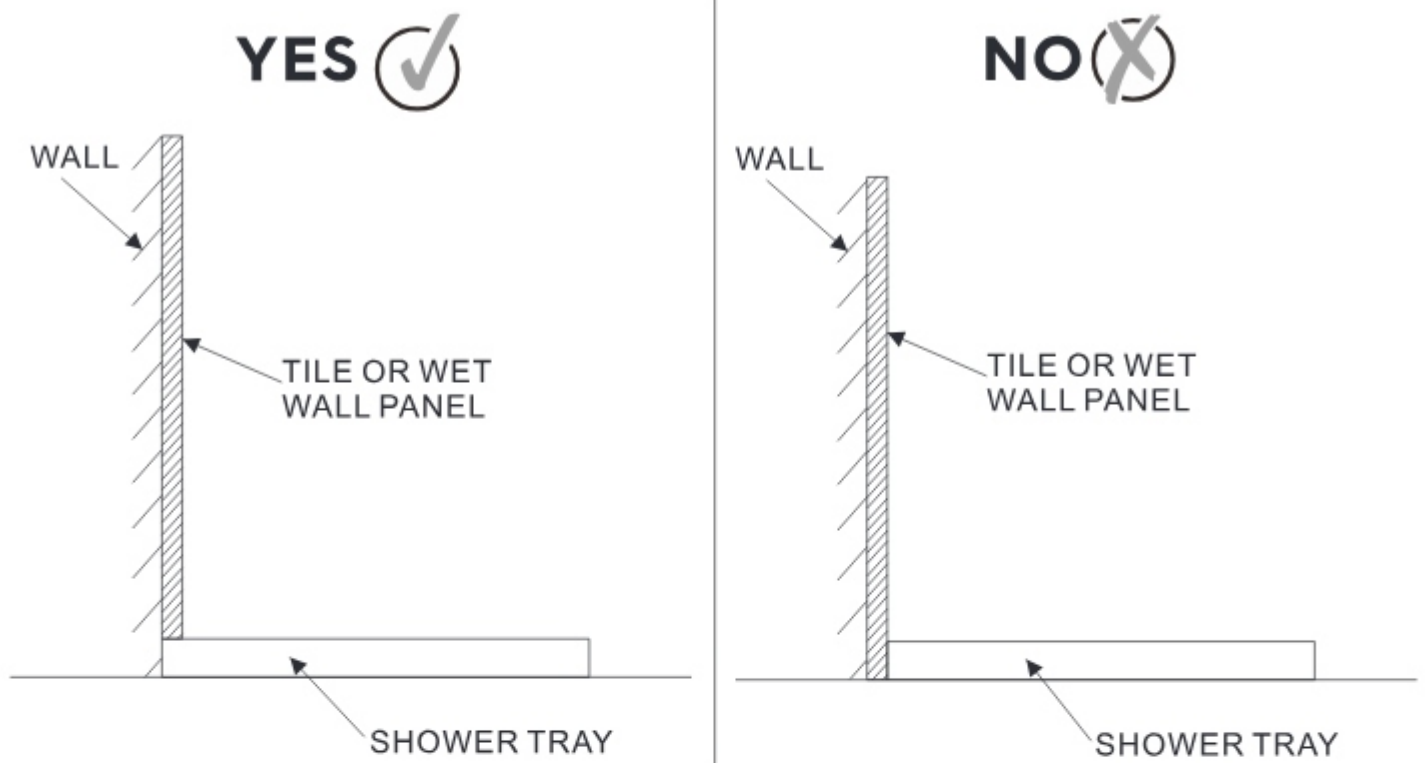
x2

N01114 & N01115

x2

N011307 & N011308

TOOLS REQUIRED

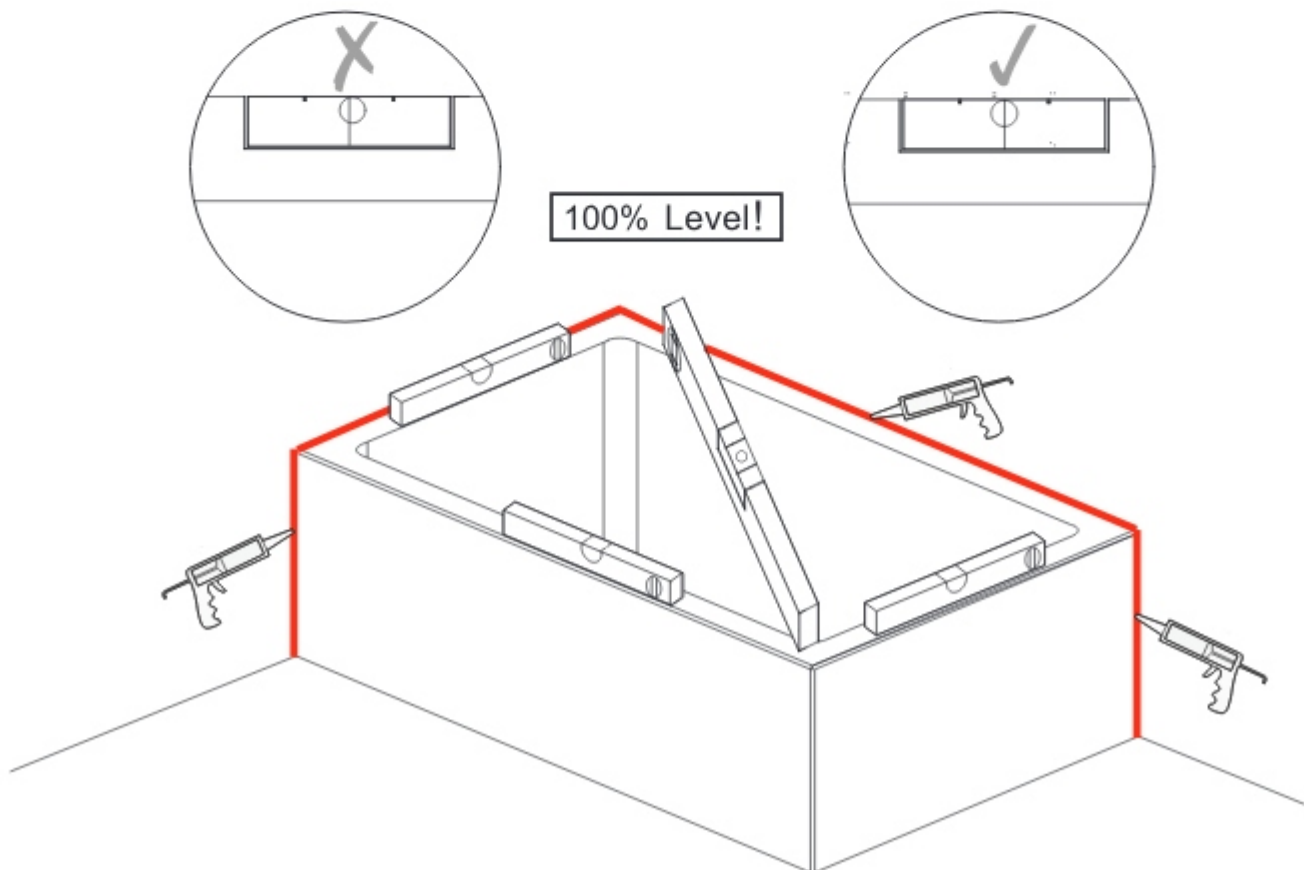
DESCRIPTION	PART IMAGE	DESCRIPTION	PART IMAGE
Tape measure		Drill	
Spirit level		Flat-head Screwdriver	
Pencil		Cross head Screwdriver	 PZ1
Ø6mm,Ø3mm Drill bit		Mallet	
Ø2,Ø2.5,Ø3,Ø4 Allen Key		Silicone Sealant	
Spanner			

STEP 1 DRAWING TO SHOW CORRECT SHOWER TRAY INSTALLATION



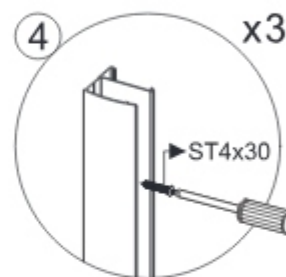
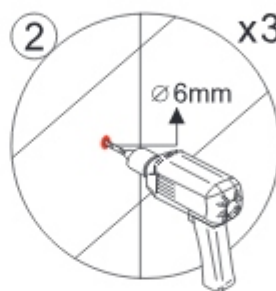
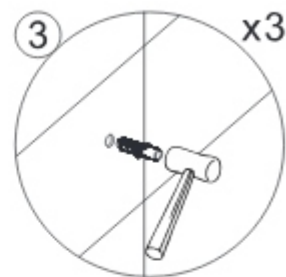
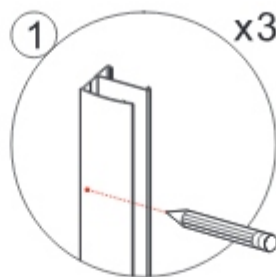
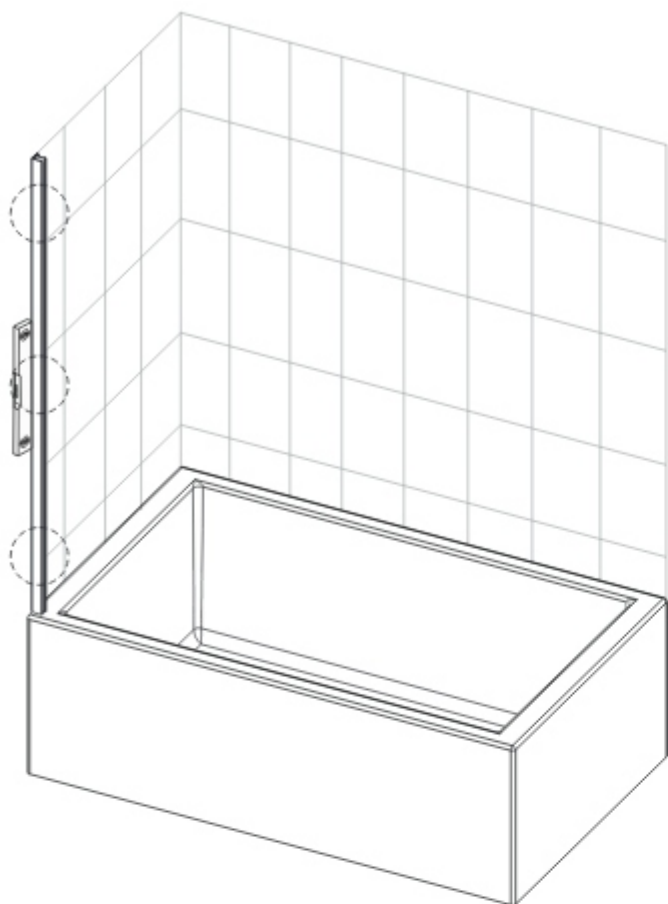
STEP 2 TRAY TO BE LEVEL

MAKE SURE THE TRAY IS LEVEL, USING A SPIRIT LEVEL, BEFORE INSTALLING THIS SHOWER PANEL / DOOR, AND THAT SILICONE IS APPLIED ON ALL SIDES WHERE THE TRAY MEETS THE TILES / WET WALL PANELS.

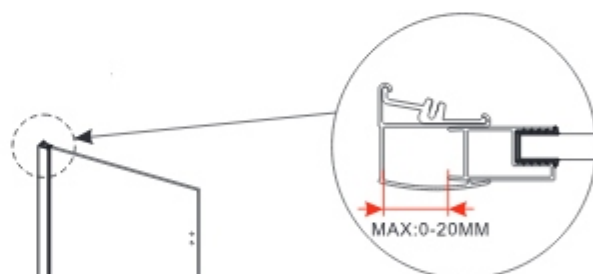
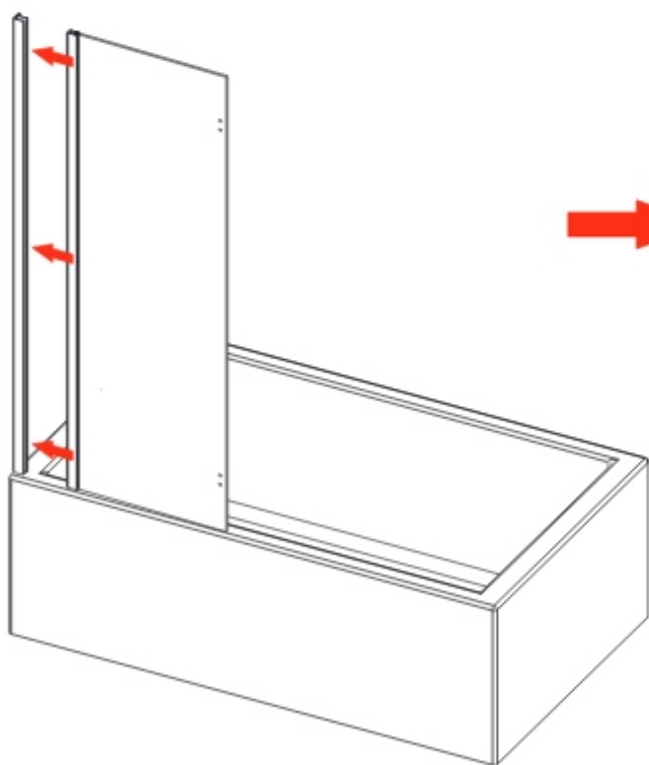


ASSEMBLY WET ROOM FLIPPER PANEL PLEASE FOLLOW BELOW STEPS

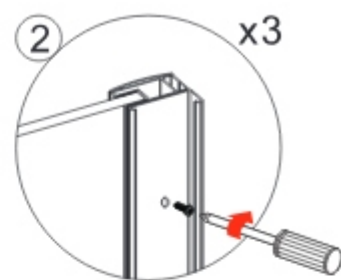
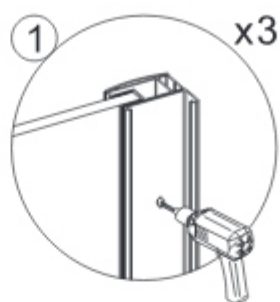
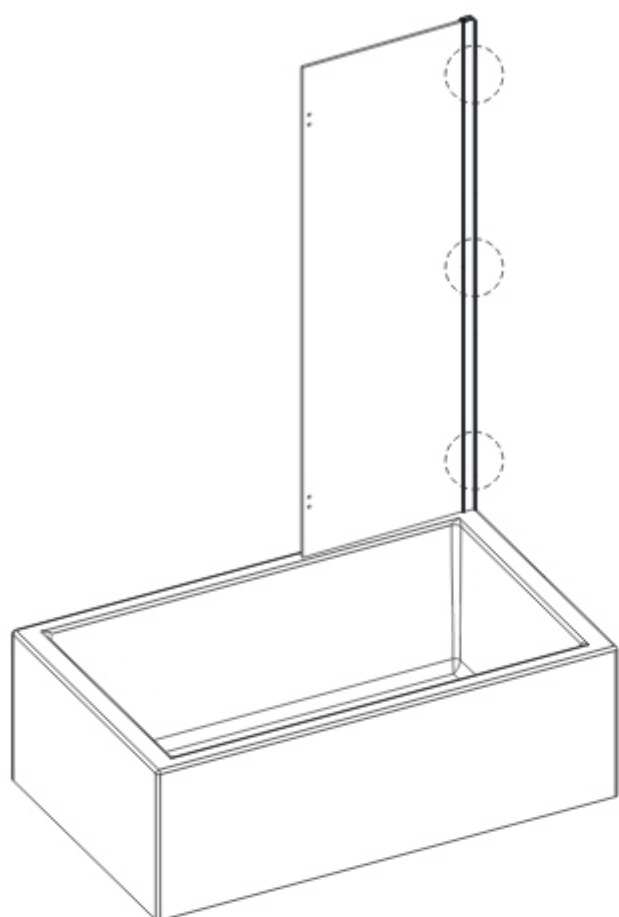
STEP 3 FITTING WALL PROFILE TO THE WALL




STEP 4 FITTING THE MOVING PANEL A

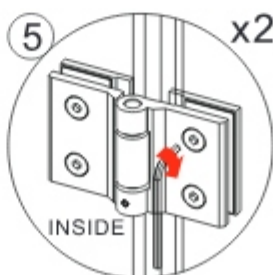
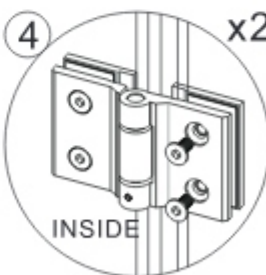
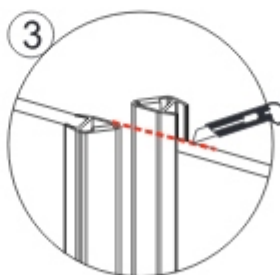
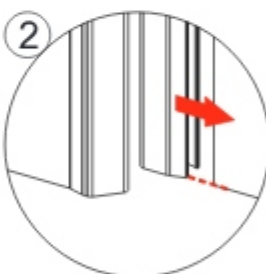
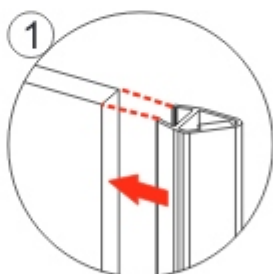
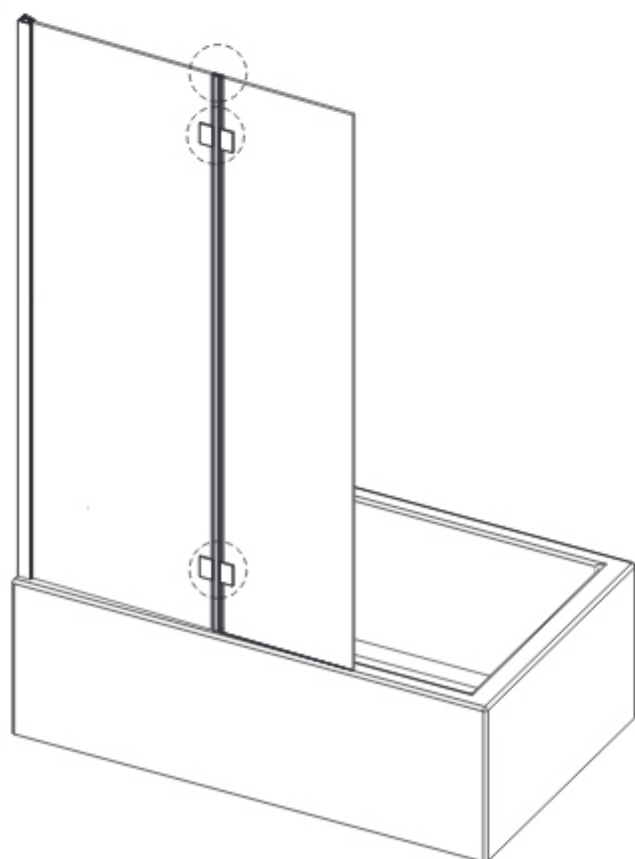


STEP 5 FITTING TO THE WALL PROFILE

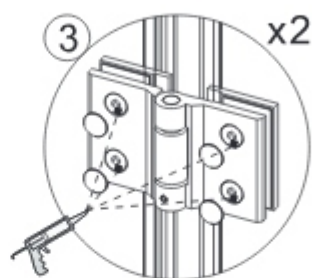
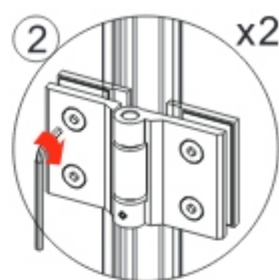
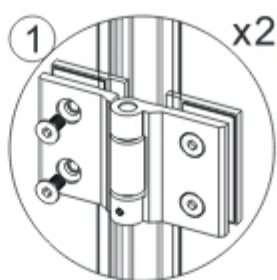
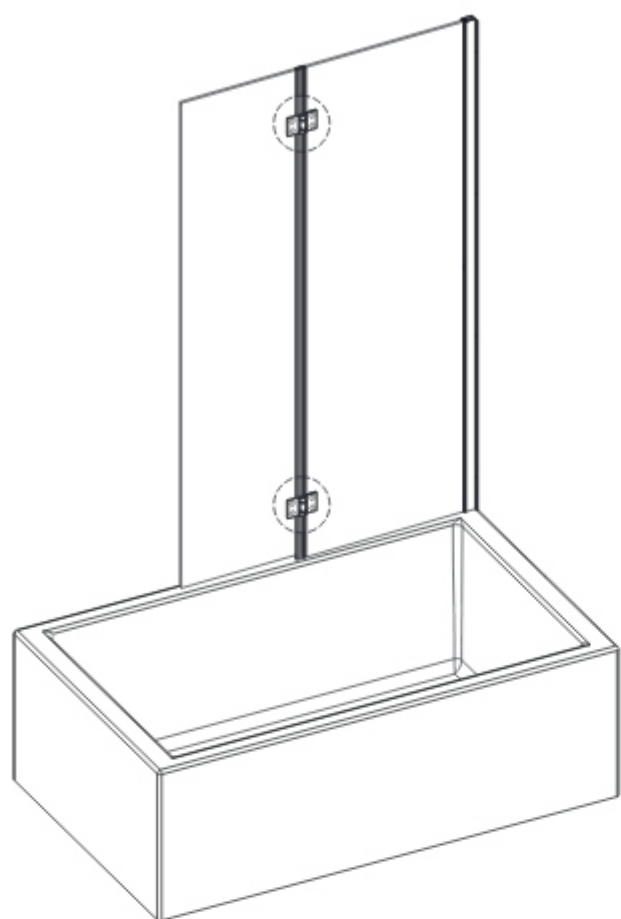


 Take care not to drill into the glass

STEP 6 ASSEMBLING THE MAGNET SEAL FIRST, AND FITTING THE HINGES

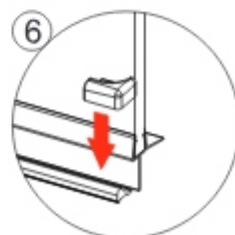
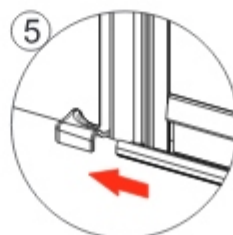
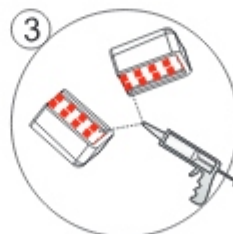
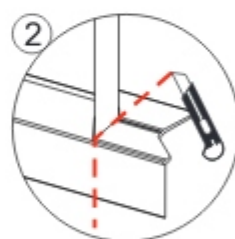
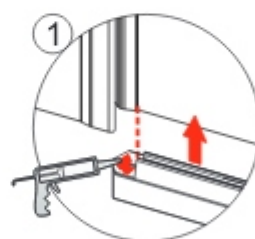
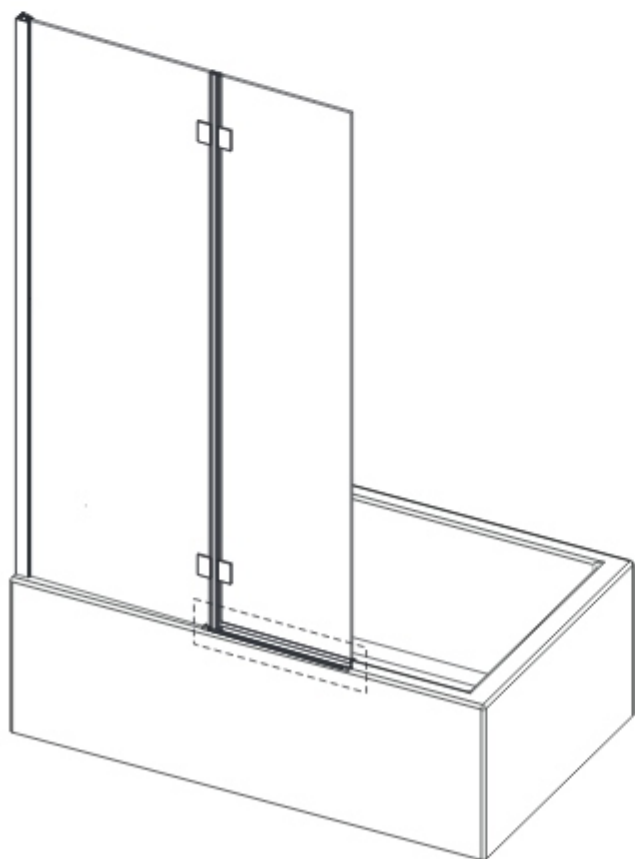


STEP 7 INSTALLING THE MOVING PANEL AND FITTING HINGE CAPS

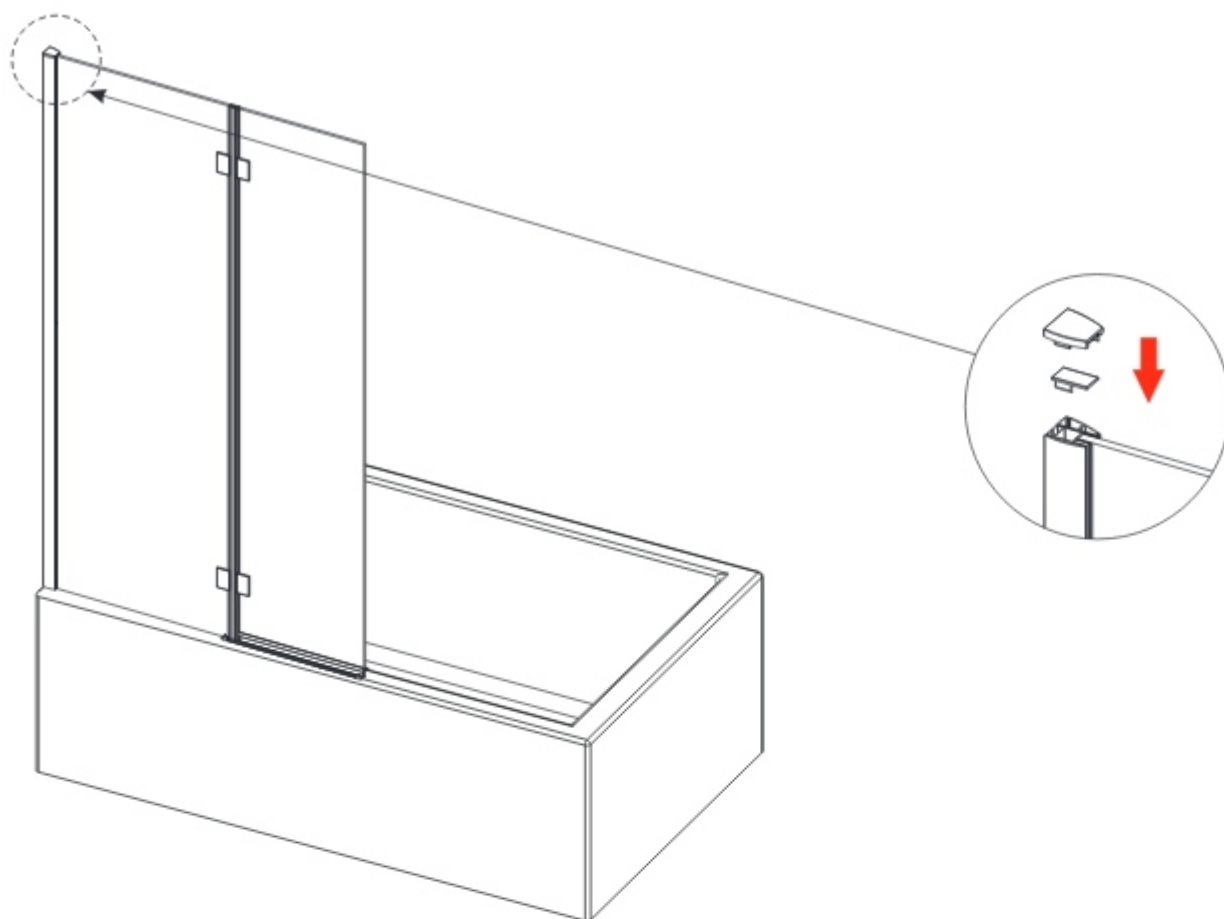


Before final tightening of the hinge screws make sure the 2nd glass panel is pushed towards the first panel

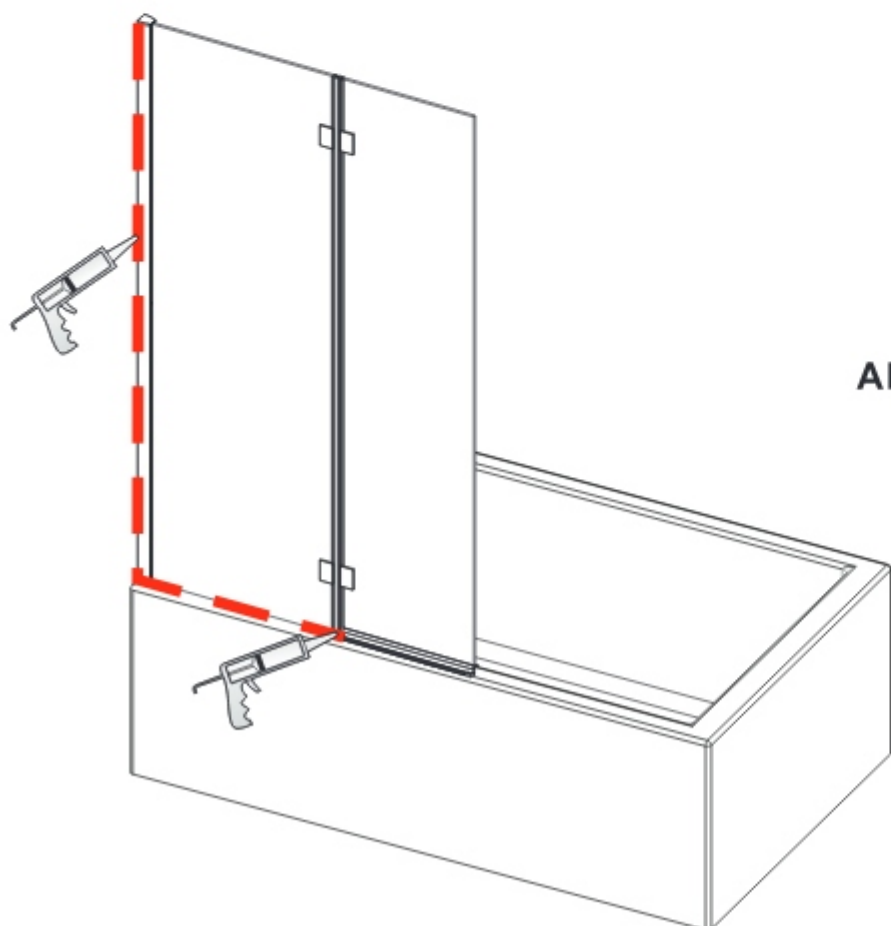
STEP 8 FITTING THE SEALS, THE DRIP STRIP



STEP 9 FITTING THE TOP CAPS



STEP 10 SILICONE TO THE EDGE



Allow 24 hours for silicone to dry before use.