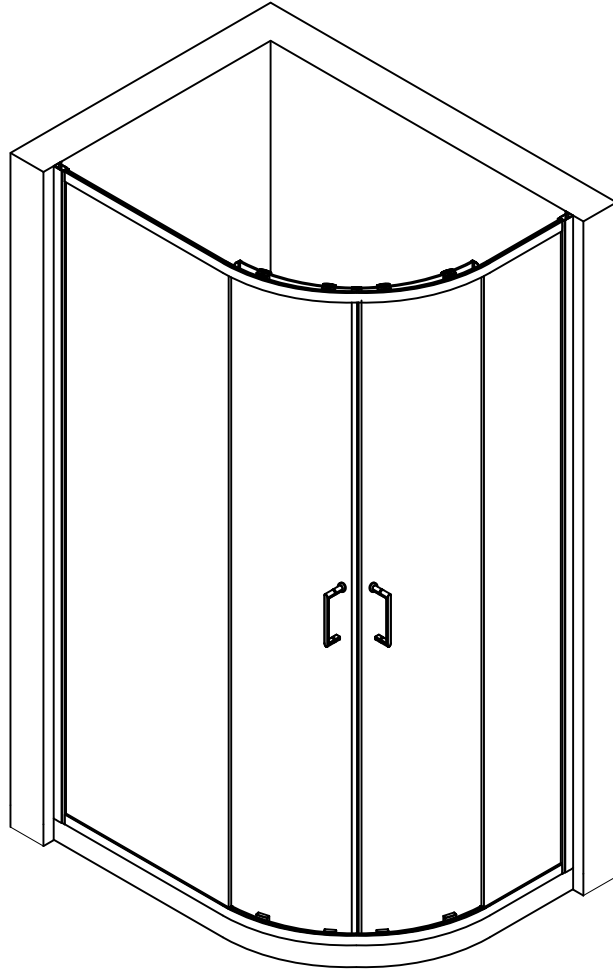


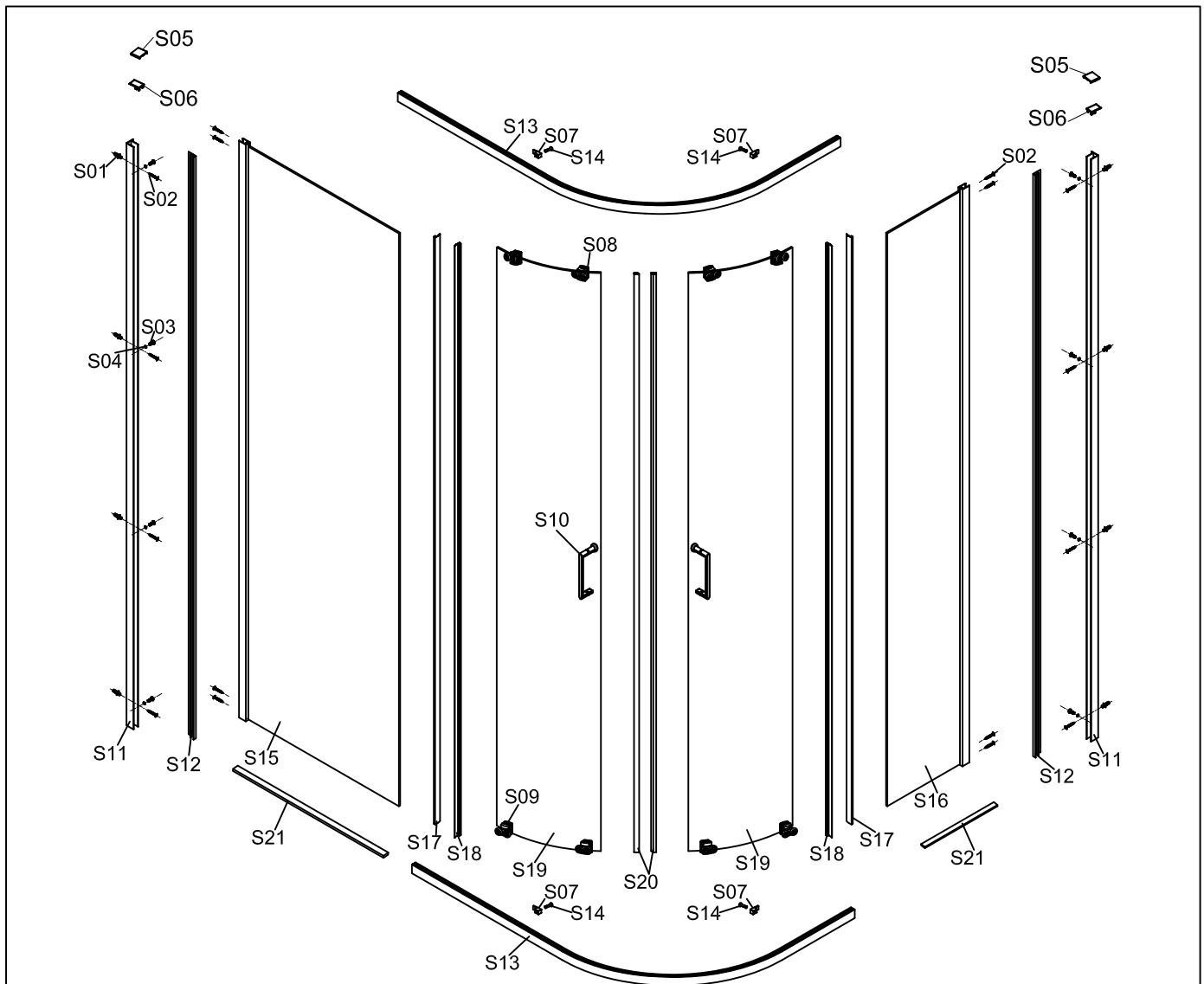
# Assembly Instructions

## Offset Quadrant 2 Door Enclosure



# Assembly Instructions

## Offset Quadrant 2 Door Enclosure




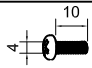
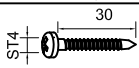
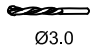
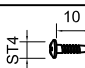

### Parts Supplied

Ref	Description	Illustration	Qty
S12	Wall profile cover strip		2
S04	Screw washer		8
S05	Wall profile cover cap		2
S06	Vertical profile cover cap		2
S07	Fixed glass clamp		4
S08	Top roller		4
S09	Bottom roller		4
S10	Handle		2
S11	Wall profile		2
S13	Top & bottom rails		2
S15	Large Fixed glass		1
S16	Small Fixed glass		1
S17	Fixed panel seal		2
S18	Vertical seal		2
S19	Door		2
S20	Magnetic door seal		1pair
S21	EVA adhesive seal		1

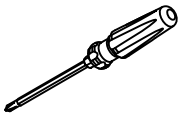

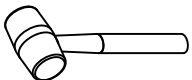



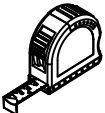


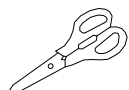
# Assembly Instructions

## Offset Quadrant 2 Door Enclosure

### Fittings Supplied

Ref	Description	Illustration	Qty	Ref	Description	Illustration	Qty
S01	Wall plug		8	S14	Screw 4x10		4
S02	Screw ST4x30		16		3.0MM Drill Bit		1
S03	Screw ST4x10		8		2.5mm allen key		1

### Tools Required(not supplied)

Magnetic Crosshead Screwdriver		Silicone Sealant	
Rubber Mallet		Knife	
Spirit Level		Pencil	
Tape Measure		6mm Drill Bit (suitable for wall type)	
Power Drill (with hammer action)		Scissors	

# Assembly Instructions

## Offset Quadrant 2 Door Enclosure

### Before You Start

·WARNING : Please read these instructions through carefully before you start the installation. Incorrect product installation may result in serious product failure in use.

Always follow the instructions and retain them for future use.

The enclosure is designed to allow for 20mm adjustment when fitted to “out of true” walls.

The thickness of the tiles used will affect the overall position of the enclosure on the tray.

·Check the pack and ensure that you have all of the parts listed . If not, contact your vendor.

·When you are ready to start, make sure you have the right tools to hand, plenty of space and a clean dry area for assembly.

·Two people are required for assembly. Please note that although these instructions are comprehensive, it is always recommended that a technically competent installer should undertake installation.

·Ensure that the enclosure is fitted to a level tray or floor and vertical walls .

·Please note: The wall plugs included with this product are suitable for solid walls only. Plasterboard or stud walls may require specialized fixings which are not provided. (Always ensure that the wall plugs or fittings are correct for the wall type.)

·Caution: Please handle all glass with care. Any damage to the edges, or scratches to the surface that occur during assembly or normal use can cause the glass to break suddenly. Tempered glass will shatter into very small pieces that will still have sharp edges.

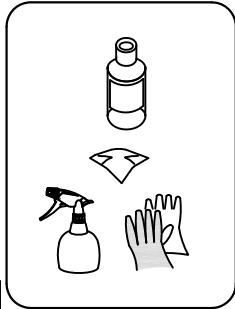
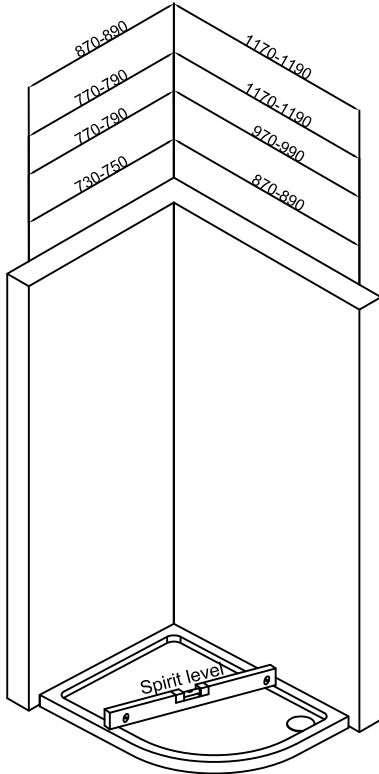
·Caution: Care should be taken when drilling into walls to avoid hidden pipes or electrical cables.

·When working near a tray or bath, ensure that the waste is covered so that small parts do not fall down it.

# Assembly Instructions

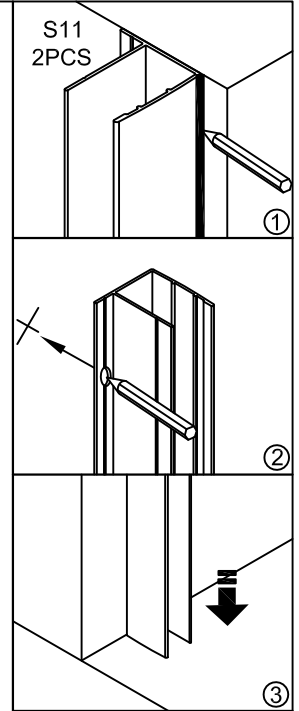
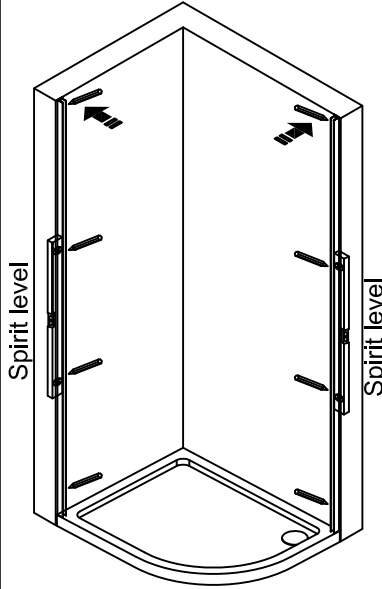
## Offset Quadrant 2 Door Enclosure

**Fig.1**

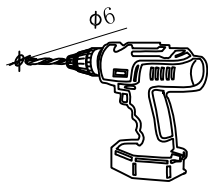
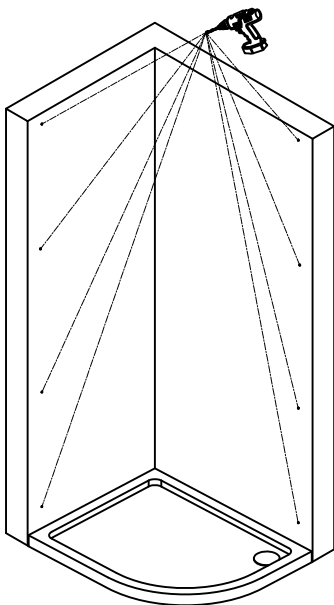


Note: The dimensions allow for 20mm adjustment on each side for out of true walls.

**Fig.2**



**Fig.3**



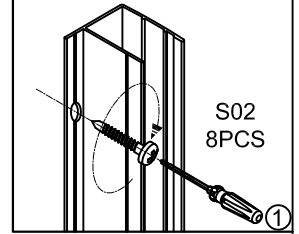
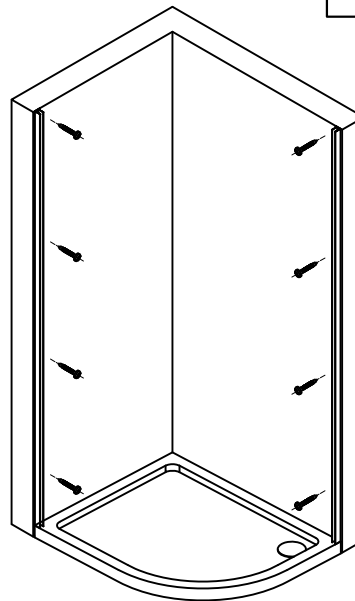
①

S01  
8PCS



②

**Fig.4**



# Assembly Instructions

## Offset Quadrant 2 Door Enclosure

Fig.5

Notes: Attach the black EVA adhesive seal on the step of the bottom track, then install the fixed glass on it.

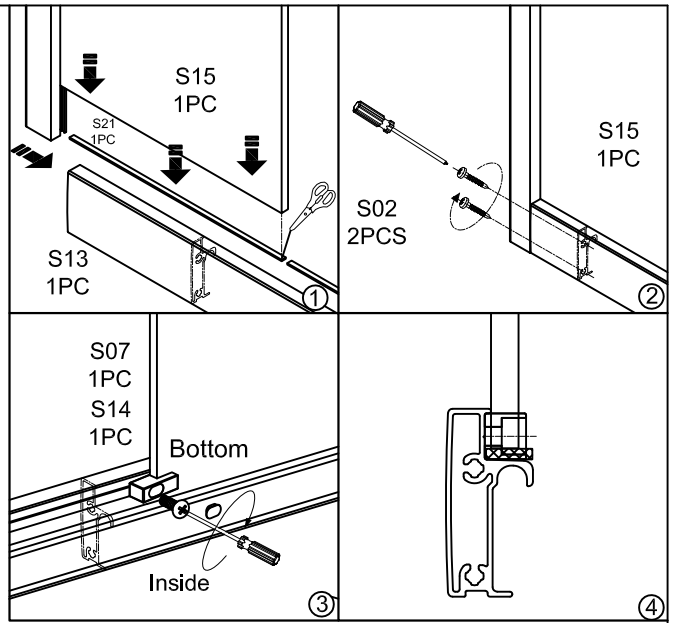
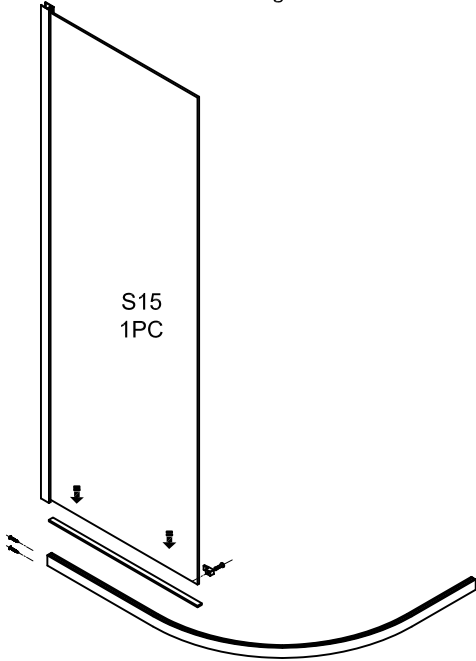
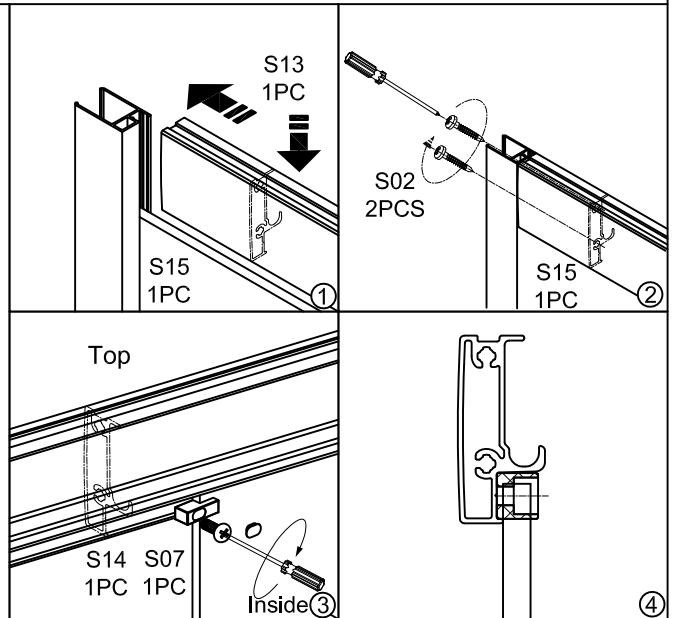
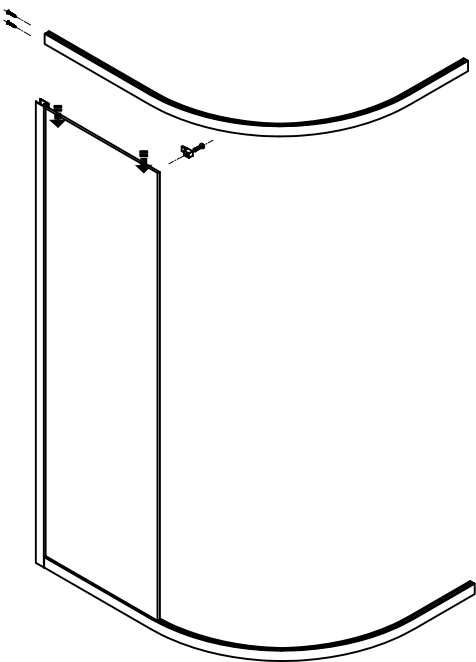


Fig.6

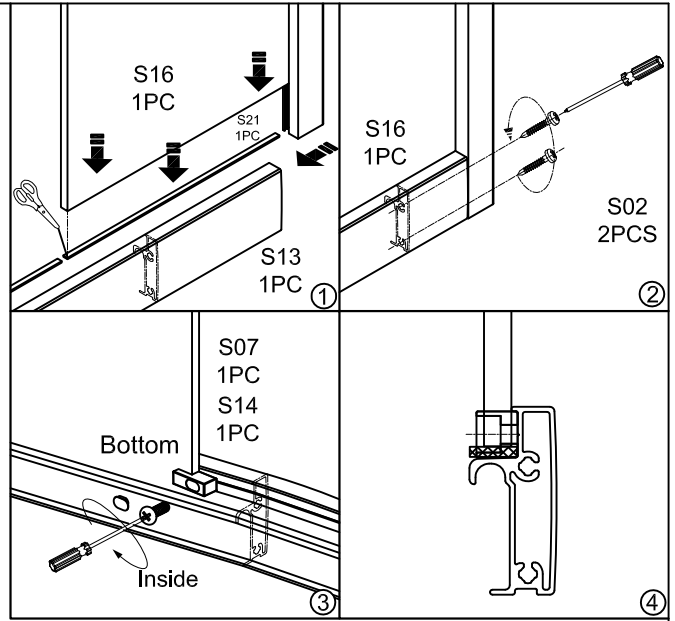
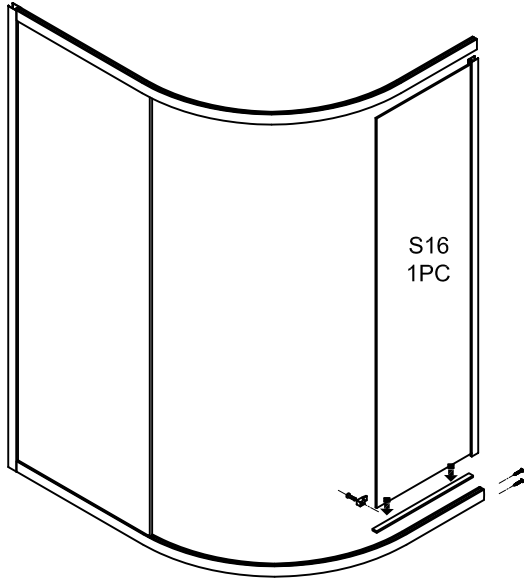


# Assembly Instructions

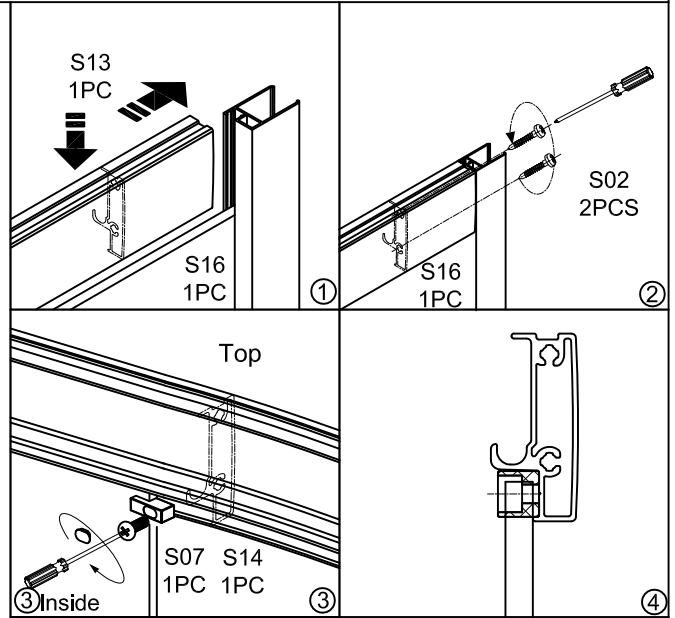
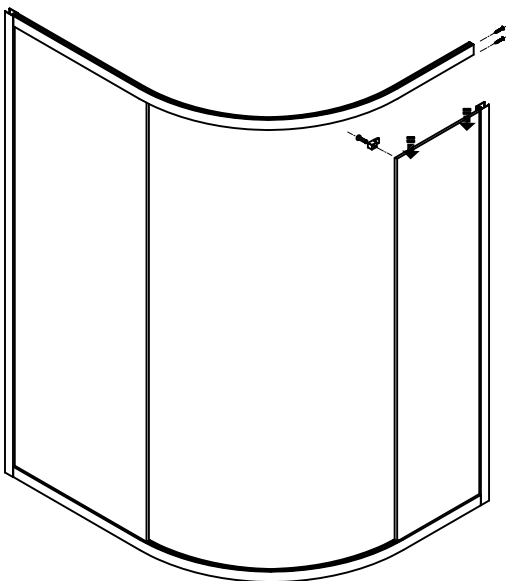
## Offset Quadrant 2 Door Enclosure

**Fig.7**

Notes: Attach the black EVA adhesive seal on the step of the bottom track, then install the fixed glass on it.

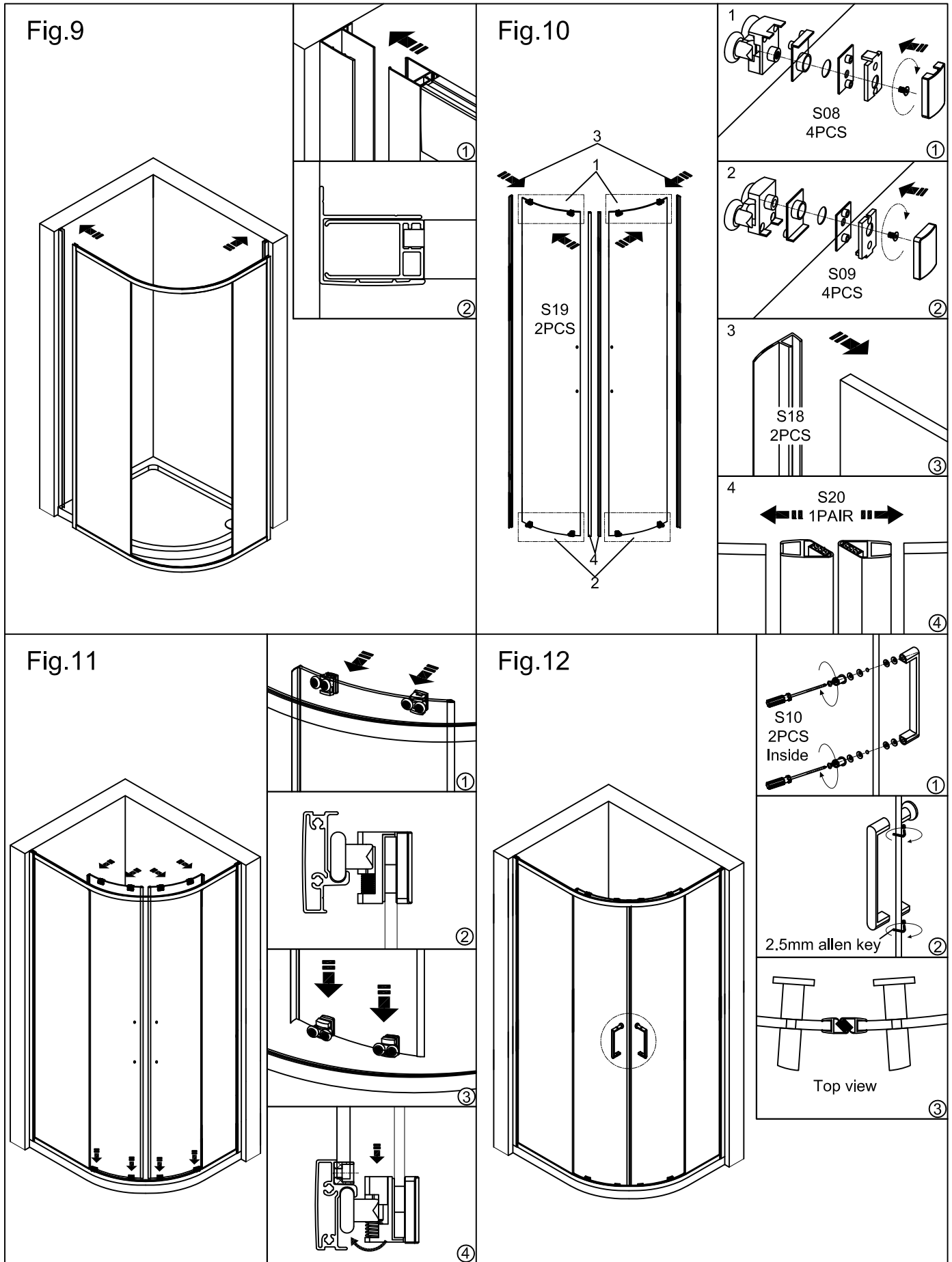


**Fig.8**



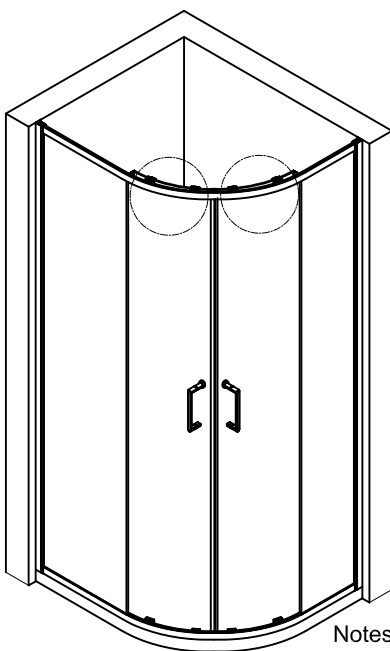
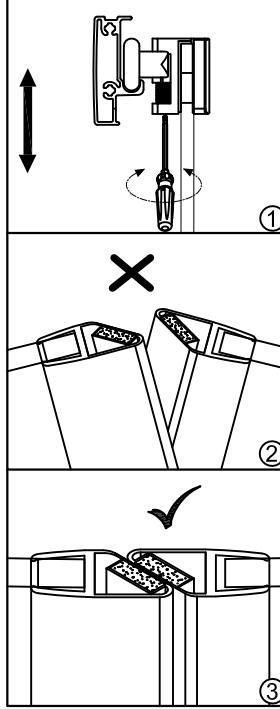
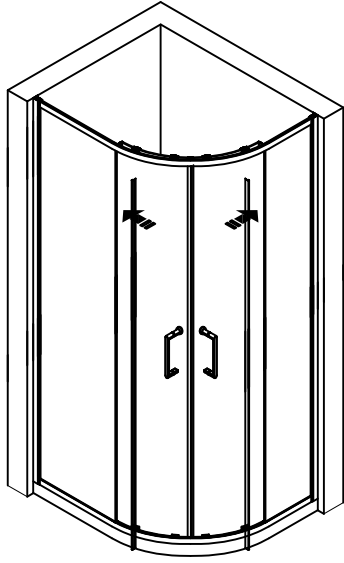
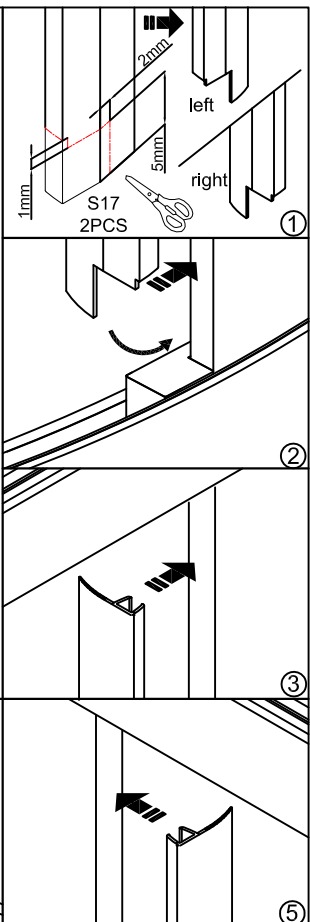
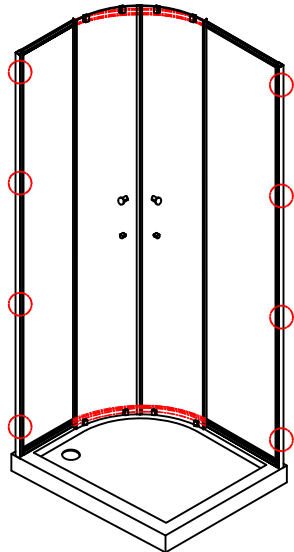
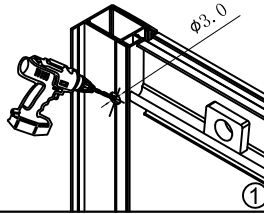
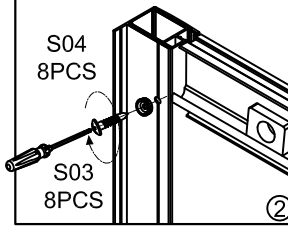
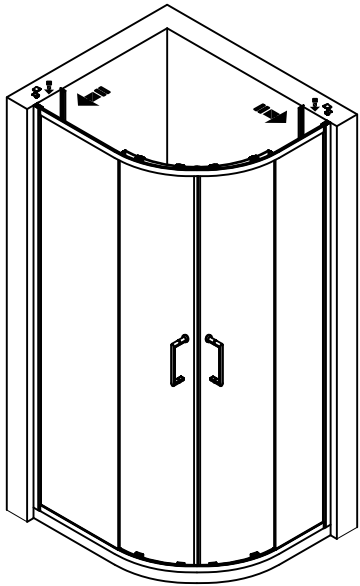
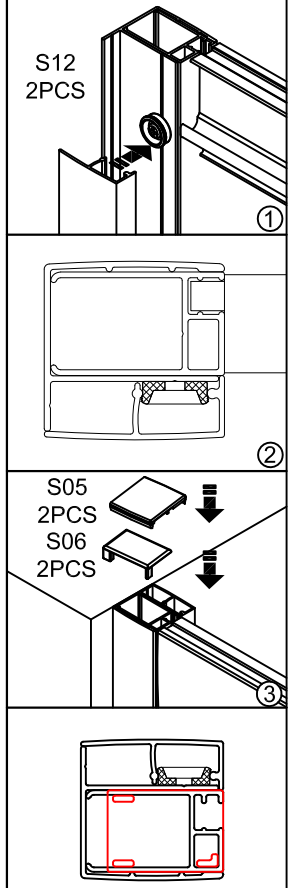
# Assembly Instructions

## Offset Quadrant 2 Door Enclosure



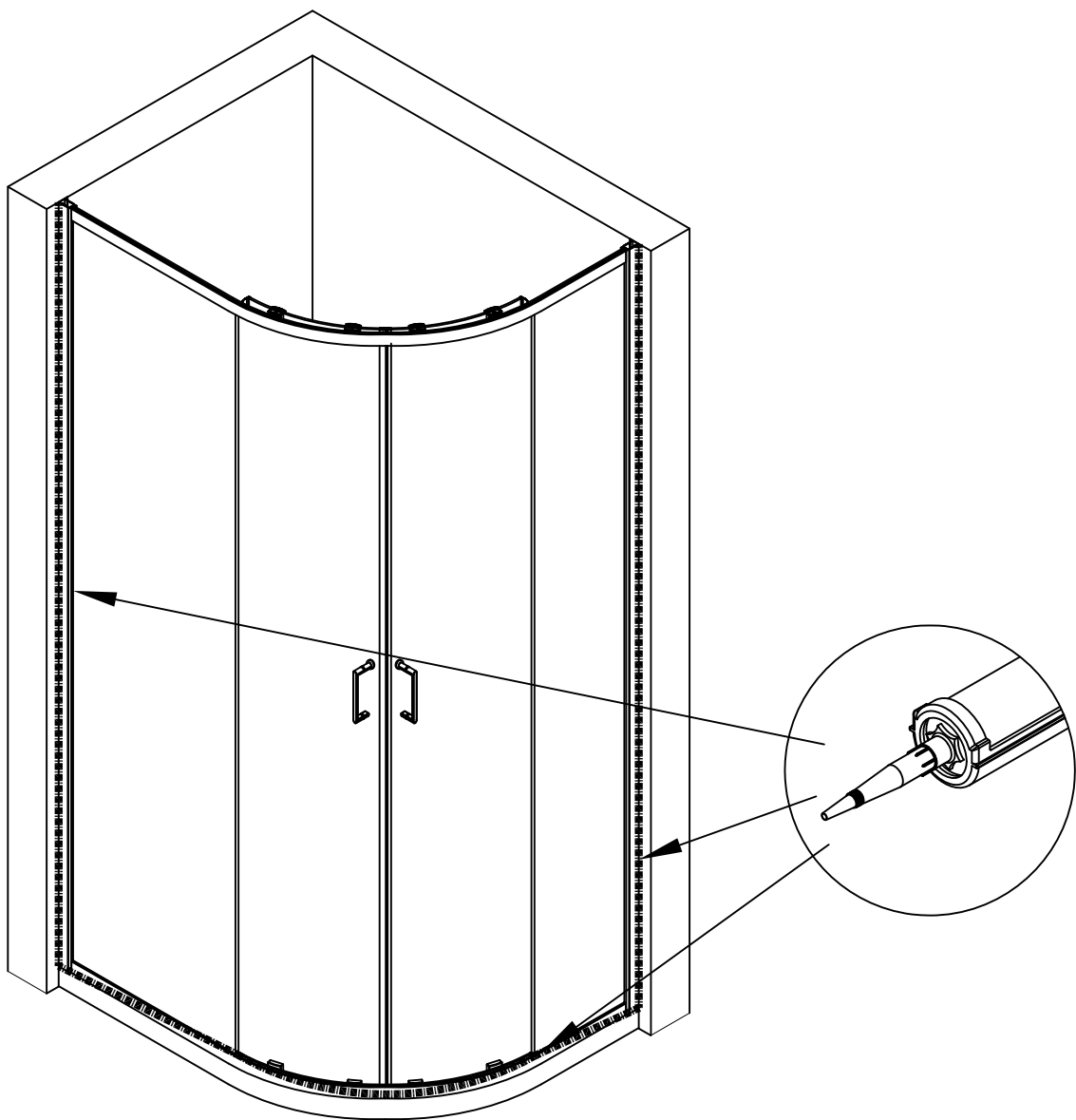
# Assembly Instructions

## Offset Quadrant 2 Door Enclosure

<p><b>Fig.13</b></p>  <p style="font-size: small;">Notes: Adjust the screws on the bottom of top rollers to make sure the doors are vertical and can close properly.</p>		<p><b>Fig.14</b></p> 	
<p><b>Fig.15</b></p> <p style="font-size: small;">Notes: Please drill through the pre-drilled holes in the wall profiles onto the vertical profiles</p> 	 <p style="text-align: center;">①</p>  <p style="text-align: center;">②</p> <p style="font-size: x-small;">Notes: Hand-tight only. Do not over tighten, otherwise it will be difficult to put on the Wall profile cover strip.</p>	<p><b>Fig.16</b></p> 	 <p style="text-align: center;">④</p>

# Assembly Instructions

## Offset Quadrant 2 Door Enclosure



# Assembly Instructions

## Offset Quadrant 2 Door Enclosure

### Care & Use

---

**Soapy water is adequate to keep the glass clean, although glass cleaner can be used if required. Scourers, abrasives and chemical cleaners can damage the glass and pattern, and should not be used.**

**In hard water areas, insoluble lime salts may be deposited on the glass. If this is allowed to build up it becomes increasingly difficult to remove and looks unsightly. Regular cleaning will minimize this effect.**