

INSTALLATION INSTRUCTIONS

The radiator can be installed and connected to a central heating system.

THESE TOWEL RAILS ARE NOT SUITABLE FOR USE WITH DUAL FUEL ELEMENTS.

PLEASE NOTE: THE TRAFALGAR AND BLOOMSBURY RADIATORS ARE MADE FROM STEEL AND WHEN CONNECTED TO CENTRAL HEATING SYSTEMS SHOULD ONLY BE USED ON CLOSED SYSTEMS CONTAINING A RUST INHIBITOR.

- review instructions carefully before installation
- installation should be completed by a suitably qualified person
- please dispose of packaging in a responsible manner

PLEASE NOTE:

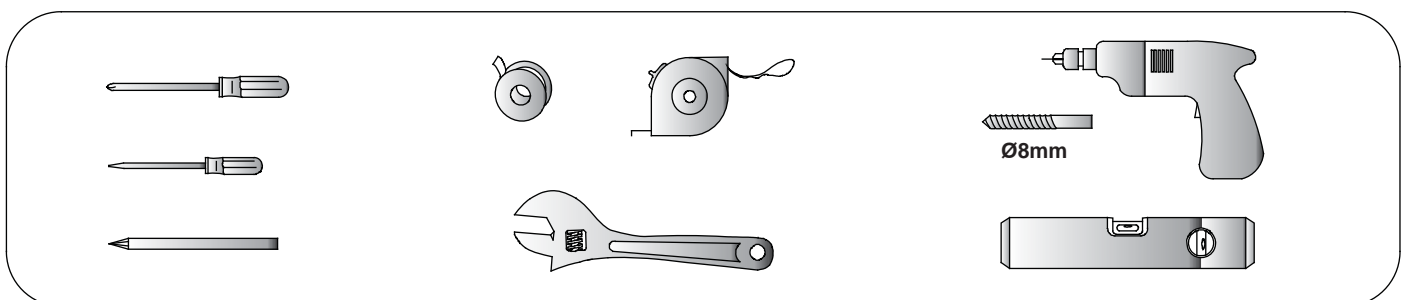
- This product can only be used at $PN \leq 1\text{MPa}$ (10Kg/cm, 10Bar). It should only be filled with a water mixture containing a rust inhibitor, and at a temperature below 100°C (or 212°F). See table below for installation requirements.
- If the temperature exceeds 48°C (or 120°F), please install a warning sign near the product to avoid burning or scalding accidents.
- If the product is not used for a period during which ambient temperature drops below 5°C (or 41°F), please drain the water out of the radiator to avoid oxidization.
- For prolonged usage and safe operation please check product at regular intervals.

Filling	Pressure	Temperature	Remarks
Water mixture containing a rust inhibitor	$PN \leq 1\text{Mpa}$	$0^{\circ}\text{C} \leq t \leq 100^{\circ}\text{C}$	If ambient temperature drops below 1°C , drain out the water to prevent damage from freezing.

AFTER CARE ...

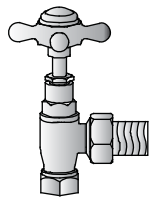
The Trafalgar and Bloomsbury radiators should not be cleaned with corrosive or scouring cleaning agents.

Tools required:

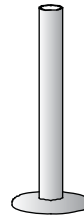


Heated with the central heating system

Parts required:



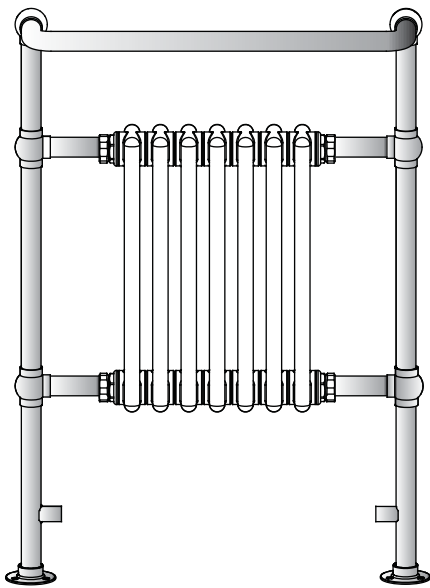
2x









2x

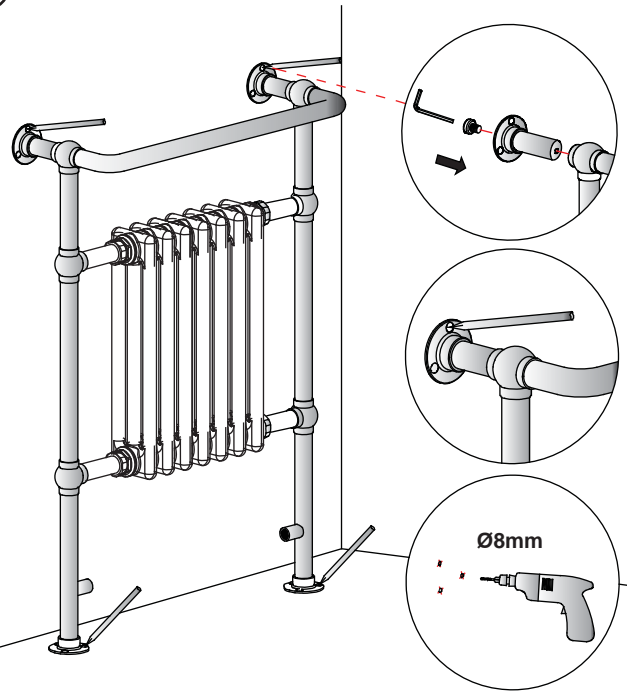
The diagrams of control valve and the connecting pipe as shown above are for reference only, and should be purchased separately.

Parts supplied:

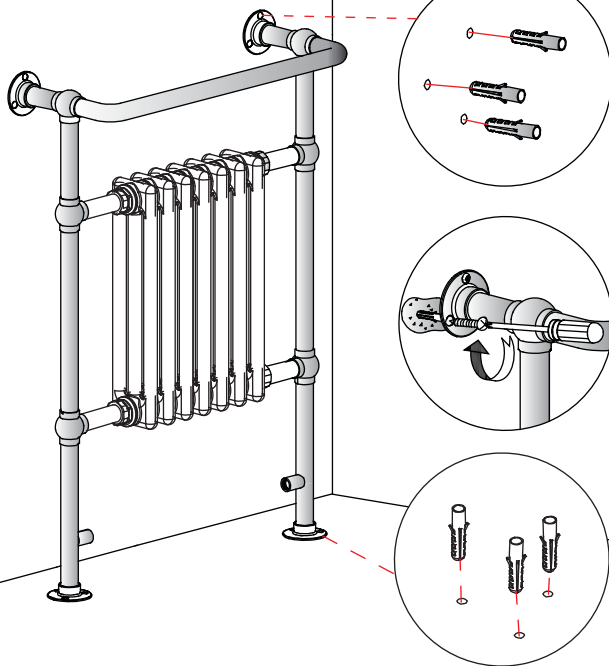


-  12x
ST4.8 * 45mm
-  12x
-  1x
-  2x
-  2x
-  1x

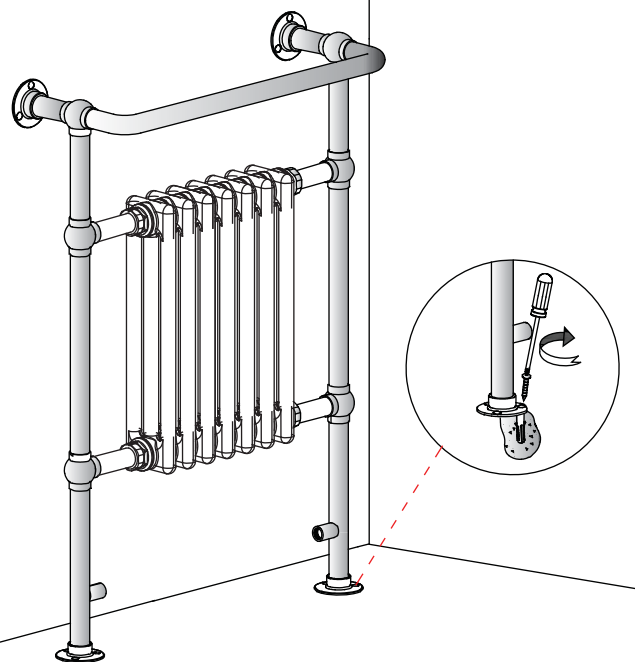
1 Installation position is determined by installer.

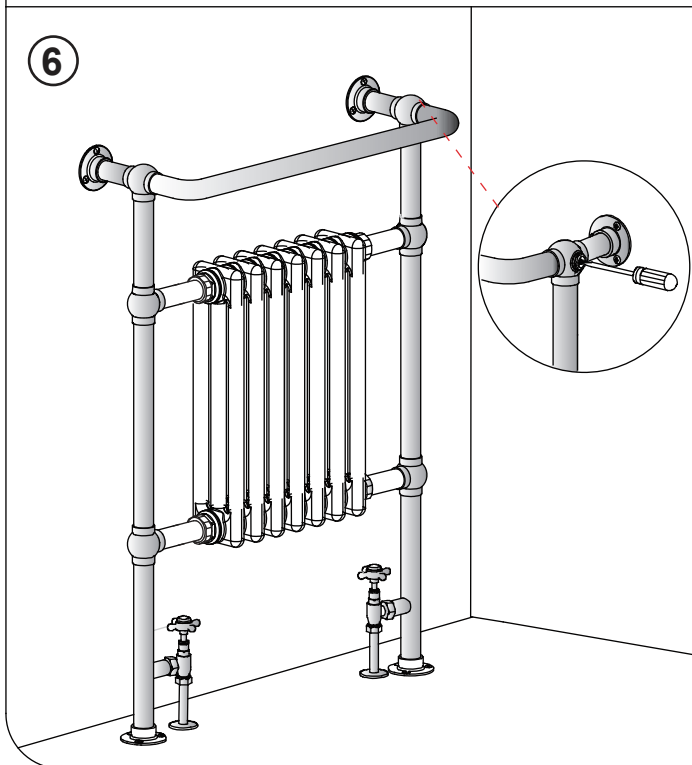
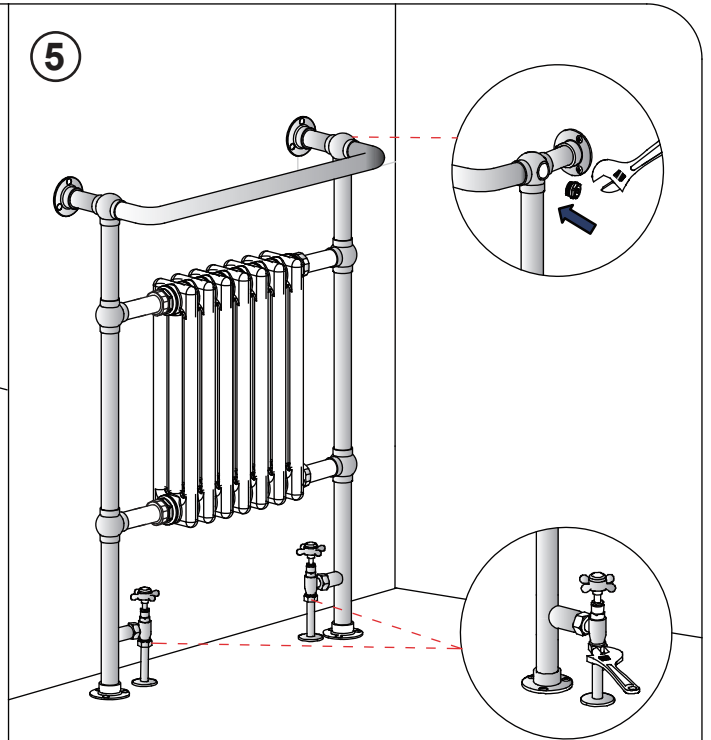
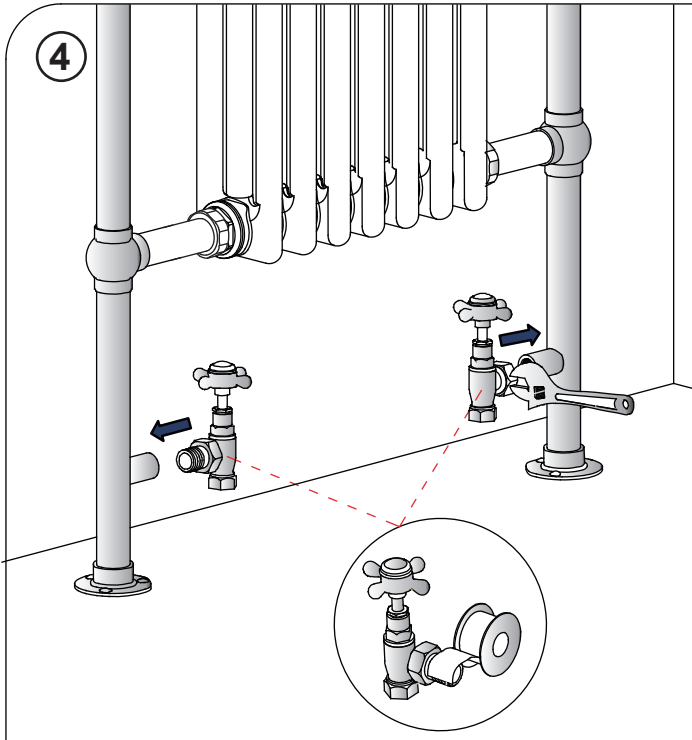


2



3





After installation ...

- Use a screwdriver to open the air vent, open the inlet valve and let the water rush into the radiator. Check all connections for leaks.
- Once water overflows from the air vent, there is no air in the tube, use a screwdriver to close the air vent. Turn on the outlet valve and the radiator is ready for use.