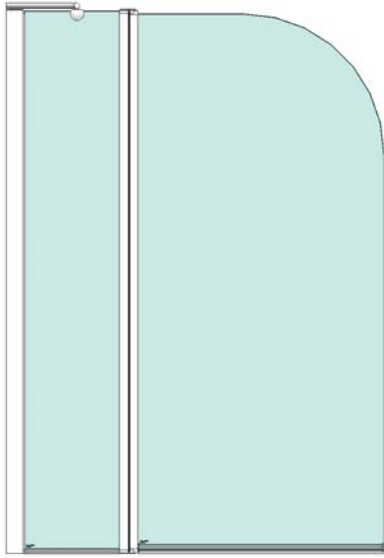


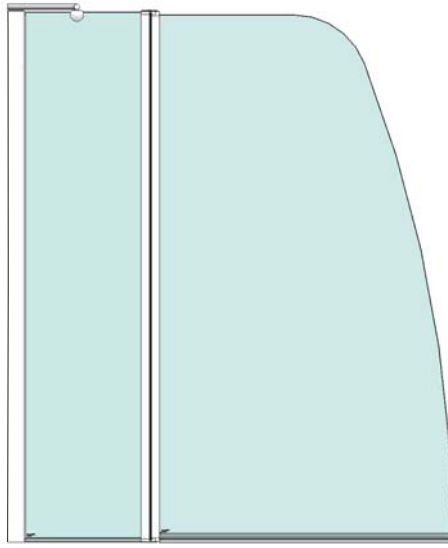
TWIN PANEL BATHSCREENS

Installation & Maintenance Instructions

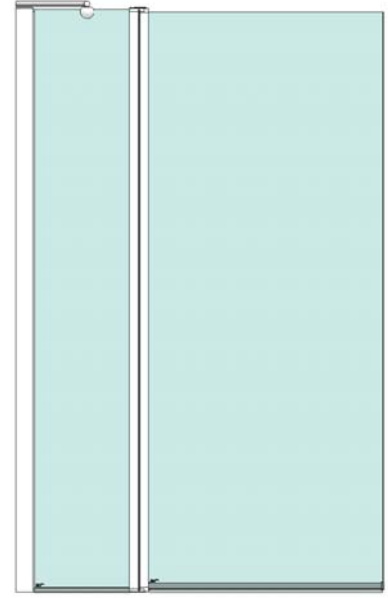
Models Covered :



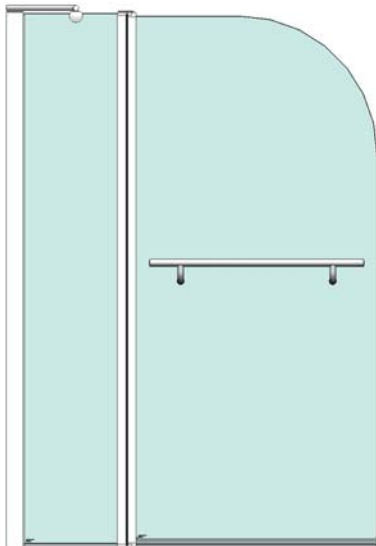
SS20 : CURVED SCREEN



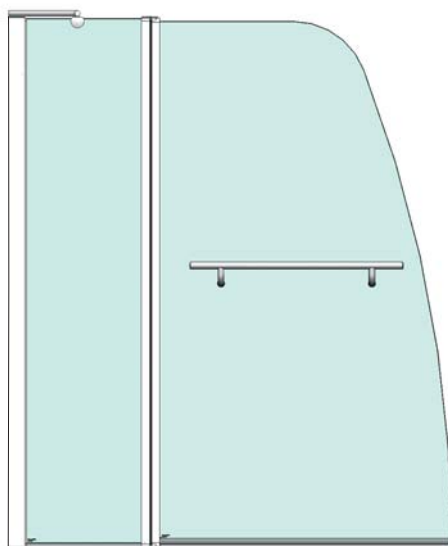
SS40 : SCULPTED SCREEN



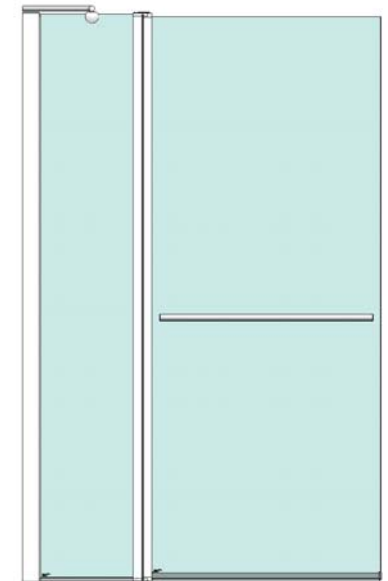
SS60 : SQUARE SCREEN



SS22 : CURVED SCREEN
+ TOWEL RAIL



SS44 : SCULPTED SCREEN
+ TOWEL RAIL



SS66 : SQUARE SCREEN
+ TOWEL RAIL



IMPORTANT NOTES :

Please Read Carefully & Retain these instructions for Future Reference.

1. For ease & safety we advise that two persons assemble this product.
 2. Protect bath surfaces at all times.
 3. Check for cables, pipes etc before drilling walls.
 4. Ensure all surfaces are dry, clean & free of loose debris / dust.
 5. Unpack goods with care (small parts can become lodged in packaging & inadvertently discarded). Check parts supplied against parts & fittings listed herein.
- Damaged parts / Omissions may be resolved by calling Lakes Bathrooms Helpline.
6. Whilst precautions are taken in manufacture, care must be taken when handling as rail ends may have sharp edges.
 7. Before commencing, check :
 - a) bath type is suitable for screen ~ without soap dishes recesses or handles in screen area.
 - b) bath rim is level & completely sealed to finished / tiled walls.
 - c) finished walls are sound & free of cracks loose tiles / grout.
 8. AFTER INSTALLATION, DO NOT 'WET' SCREEN FOR 48 HOURS TO ENSURE FULL CURE OF SILICONE SEALANT.

USE :

General Care & Maintenance.

Providing this product is installed & operated in accordance with these instructions, problems should not arise. However should maintenance be required it should be carried out by a competent person with reference to these instructions. Before any work is carried out the root cause of the problem must be identified. Lakes Bathrooms service engineers are available if necessary to consult / carry out remedial work. Call Lakes Bathrooms HELPLINE.

Cleaning.

(Every one to two weeks depending on local water {hardness} conditions).

For best appearance / product life, regular cleaning is recommended.

Use ONLY mild soap / detergent solutions to clean. Rinse with water, squeegee glass panels & wipe frames dry with a soft cloth. Under no circumstances should abrasive, caustic or scouring products be used. Cleaning products should have pH value 4 ~ 8.

DO NOT use 'spray & leave' type cleaning products.

Non compliance with these cleaning instructions may cause plated / painted finishes to deteriorate & could adversely affect safe operation of the screen.

Limescale ~ should a build up of limescale occur, remove using a 50:50 solution of white vinegar & water applied with a soft cloth & rinsed / dried thoroughly afterwards.

Daily Care.

To prevent the build up of limescale, do not allow water droplets to dry on glass or frames. After showering, rinse with water, remove droplets from glass with a squeegee & wipe frame with a soft cloth.

Customer Service.

Quality Guarantee : Lakes Bathrooms Ltd guarantee Shower Doors & Enclosures against any manufacturing or material defects for the lifetime of the product. We will resolve defects free of charge by repairing / replacing parts as we feel necessary. To be 'free of charge' service work must be carried out by Lakes Bathrooms or approved agents.

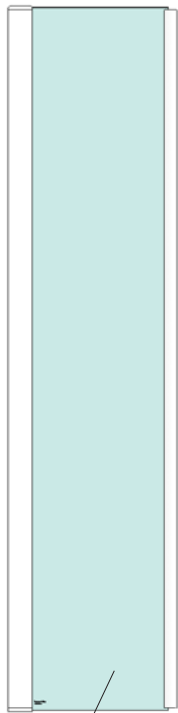
Not Covered by this Guarantee : Damage or defects that result from improper installation, improper use, or lack of maintenance (including limescale buildup). Damage or defects that result from repairs / modifications undertaken by unauthorized persons. This guarantee is in addition to statutory & other legal rights.

What to do if something goes wrong : Should the product not function correctly on initial use, firstly, contact the installer to check that unit installation & commissioning are in accordance with these instructions. Should this not resolve difficulties or should performance decline, consult 'Troubleshooting' section to see if simple home maintenance is needed. Alternatively our HELPLINE staff can assist, or if necessary arrange for a service engineer to visit.

Spares : We maintain extensive spare part stocks. Spares can be ordered / purchased from your retailer in the first instance. Parts will normally be dispatched within two working days from order placement. Pro Forma invoices will be sent for cheque payments.

SUPPLIED PARTS :

**Fixed Screen Sub Assembly
Comprising:**



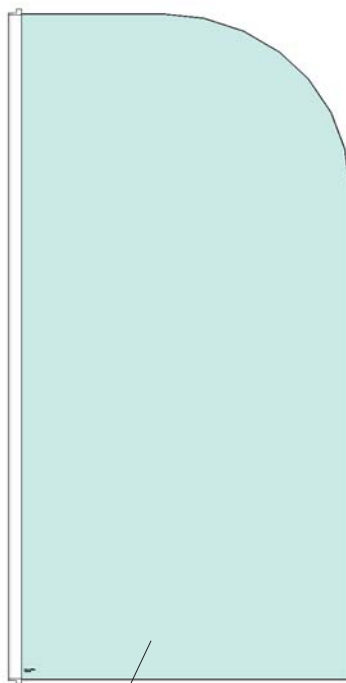
Vertical Rail
(bonded to
screen glass)



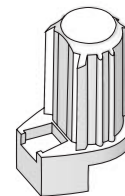
Hinge Rail
(bonded to
screen glass)

Screen Glass

**Moving Screen Sub Assembly
Comprising:**

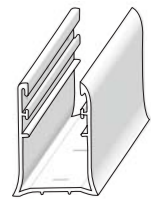


Hinge Rail
(bonded to
screen glass)

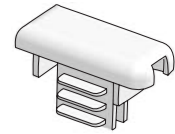


Hinge Half
(female)
(2x)

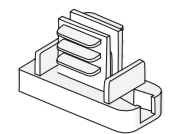
Screen Glass



Wall Rail
fig A



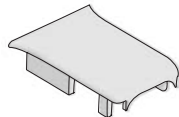
Top Plug
(Vert Rail)
fig B



Bottom Plug
(Vert Rail)
fig B



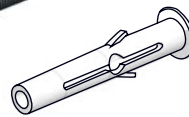
Bottom Seal
(fixed panel)
fig B



Top Cap (2x)
(Wall Profile)
(handed pair)
fig D



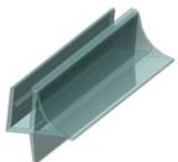
5mm x 60 long Countersunk
Self Tapping Screw (4x) fig A/D



8 x 50mm Wall Plug
(4x) fig A/D



3.5 x 10 long self tapping
pan head screw (3x) fig D



Bottom Seal
fig E



Hinge Seal
(1x) fig B



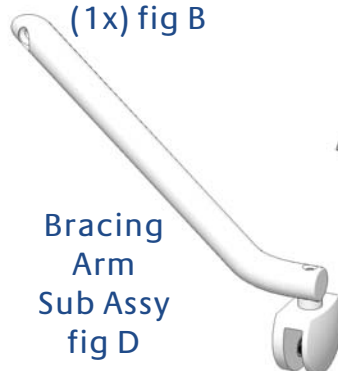
Cup Washer (3x) fig D



Decorative Screw Cover
Cap (3x) fig D



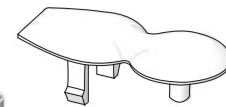
Outer End Cap (2x)
(bottom seal) fig E
(handed pair)



Bracing
Arm
Sub Assy
fig D



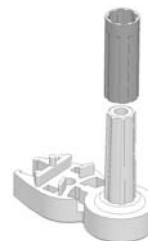
M4 x 30 long Pan Head
Pozi Drive Screw (2x) fig B/C



Top Cap
(Hinge)
fig D



Inner End Cap (2x)
(bottom seal) fig E
(handed pair)



Male Hinge Half
& Sleeve (2x)
fig B/C

Assembly Aids fig C



Towel Rail Kit
(SS22, SS44 & SS66 Only)
fig F



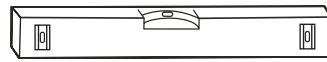
Glass Support



1mm Basepad for
Glass Support

Standard Size	Adjustment (A)
SS20 / SS22	975 to 1000mm
SS40 / SS44	1175 to 1200mm
SS60 / SS66	945 to 970mm

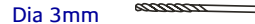
Tools Required



Spirit Level (with vertical 'bubble')



Tape Measure



Dia 3mm HSS Drill Bit



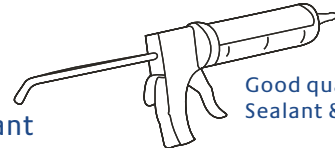
Dia 8mm Tile / Masonry Drill Bit



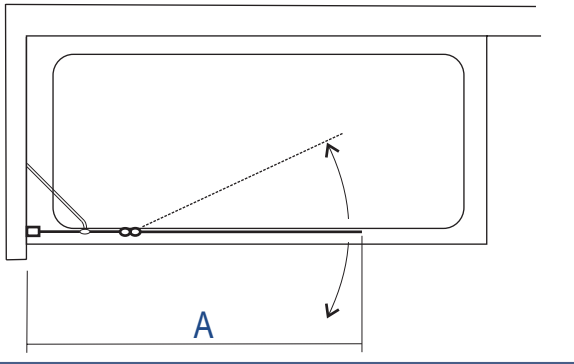
Pencil



Screwdriver (Pozi Drive)



Good quality Silicone Sealant & applicator



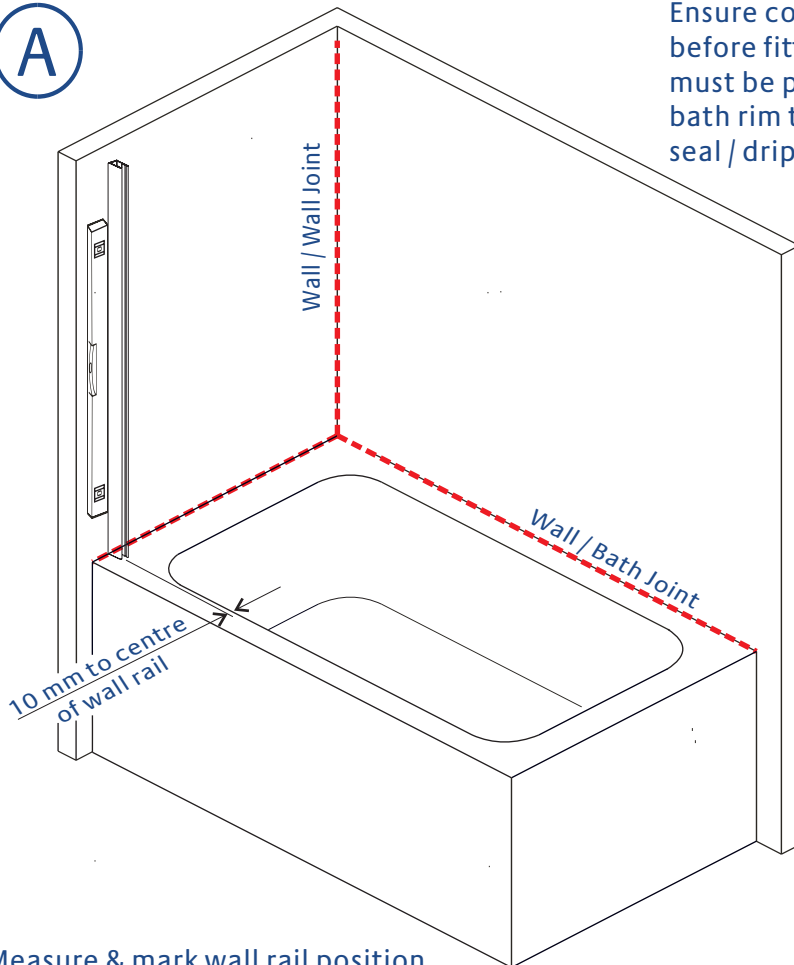
The use of good quality silicone sealant & cleaning / degreasing of all joint areas is recommended.

Lakes fully reversible Single Panel Bathscreen for fitting left or right handed to suitable bathtub.

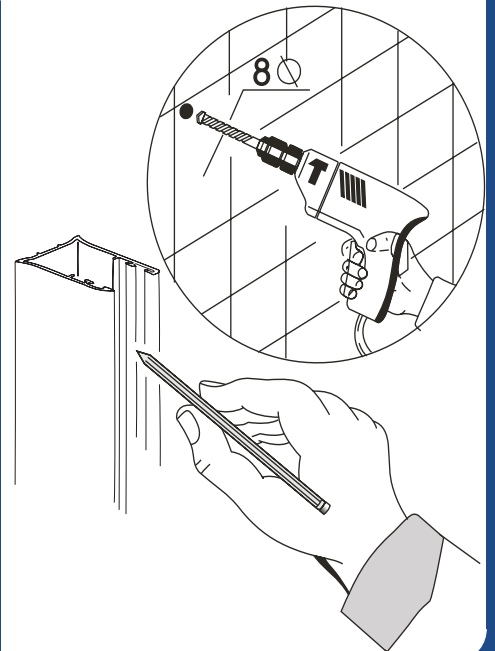
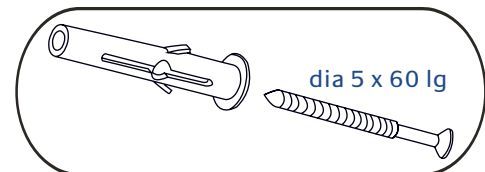
Ensure bath rim is level & that bath / wall (tile) joints are sealed & cured over entire length of bath sides (See Fig A) prior to fitting screen.

DO NOT SEAL BATH EDGES UPTO A FITTED SCREEN !

A



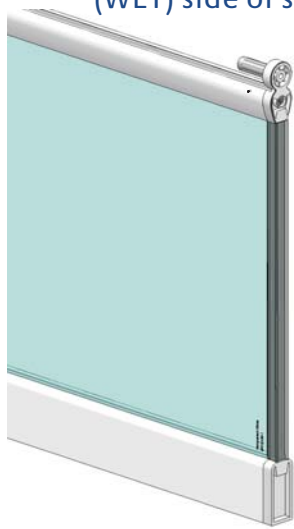
Ensure continuous silicone sealant bead as indicated before fitting wall rail. For best performance, screen must be positioned adjacent to the inner edge of the bath rim to ensure effectiveness of the bottom seal / drip strip.



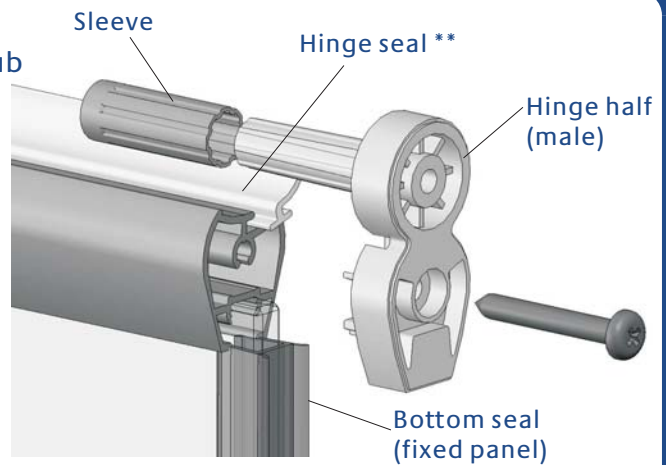
Measure & mark wall rail position.
 Wall rail orientation : Cross holes to inside (curved face outermost).
 Mark fixing hole positions, drill, plug & affix wall rail.
 (Back face of Wall profile may be siliconed before mounting).

B

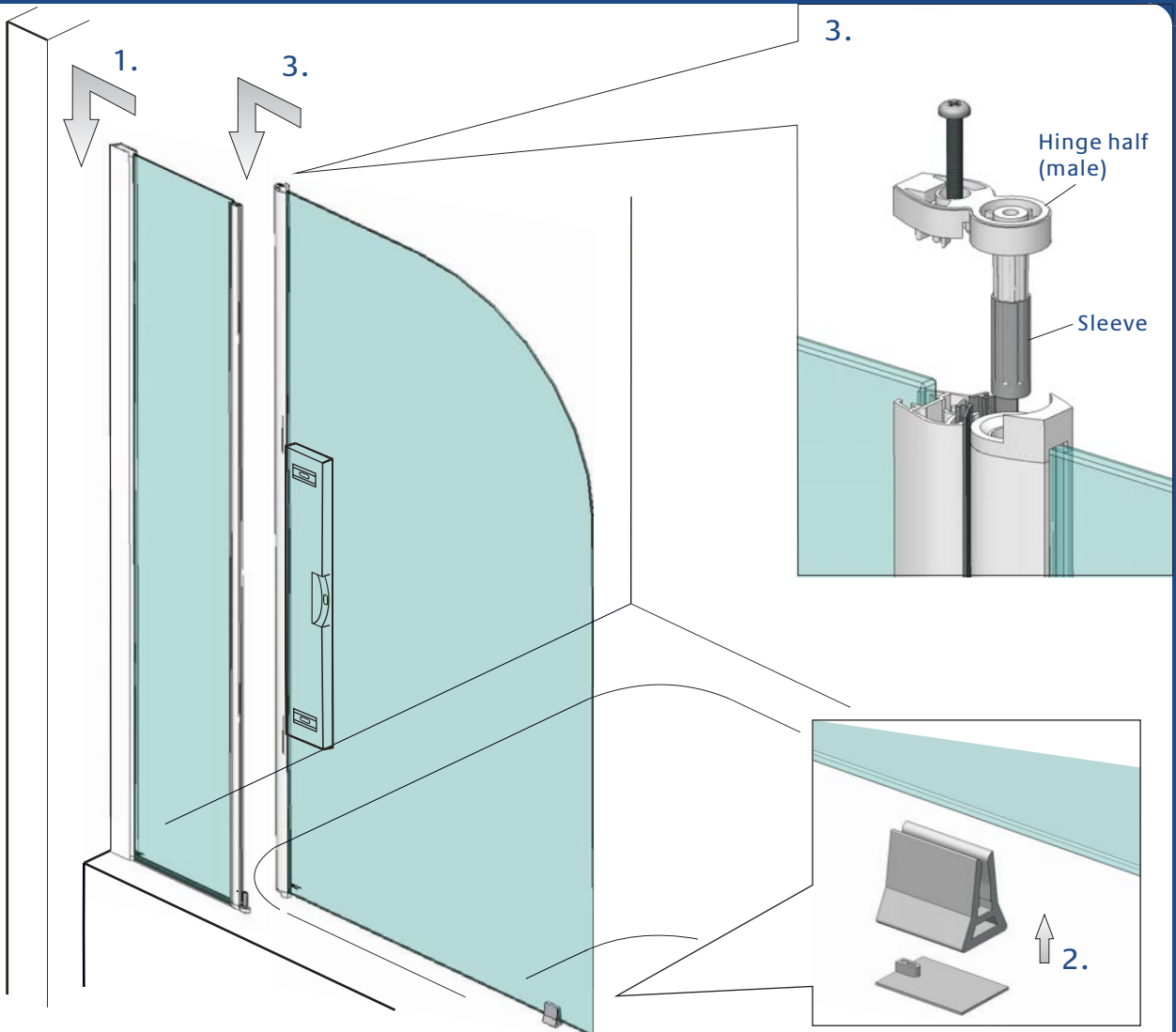
Sub assembly of Fixed Panel
 Ensure that 'Hinge Seal' ** is toward bathtub
 (WET) side of screen.



Having determined
 panel orientation, fit
 top & bottom plugs to
 vertical rail



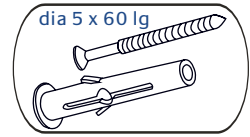
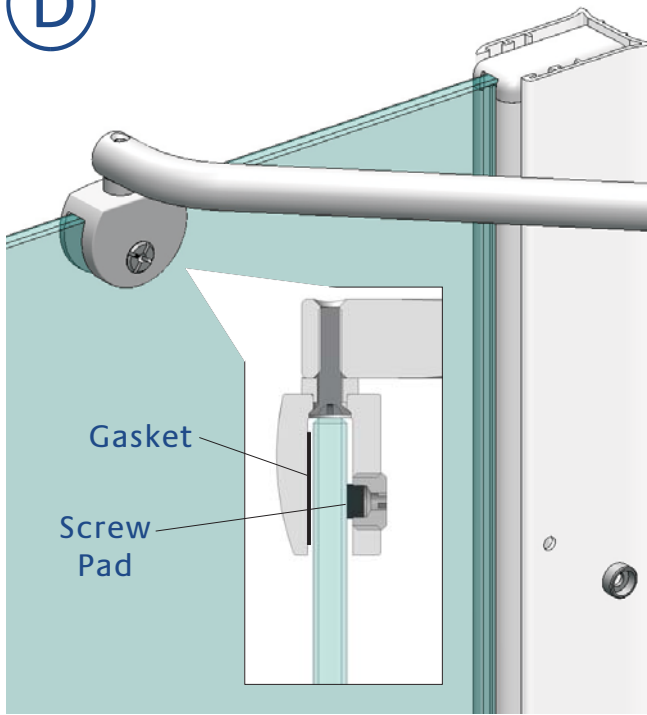
Slide hinge seal into groove of hinge rail & fit (male)hinge half
 using 4 x 30 pan head screw to bottom of fixed panel.
 Fit hinge sleeve & bottom seal (fixed panel). (Seal may be 'wetted'
 to ease seal assembly) ~ alternatively seal may be omitted in
 favour of silicone sealant bead (see fig E).

C

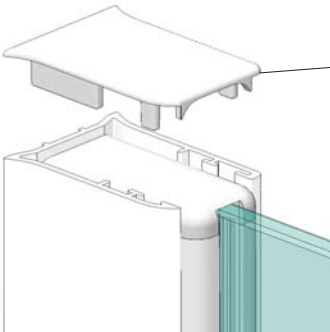
1. Carefully lift fixed panel into position & push into wall profile. Check bottom hinge is sitting on bath rim.
2. Push support & basepad onto bottom edge of moving panel glass toward outer end.
3. Carefully lift moving panel onto bottom hinge pin & push fully down ensuring moving glass panel is supported on bath rim. Fit top hinge half between panels & retain with 4 x 30 pan head screw. Check & if necessary adjust for plumb.

D

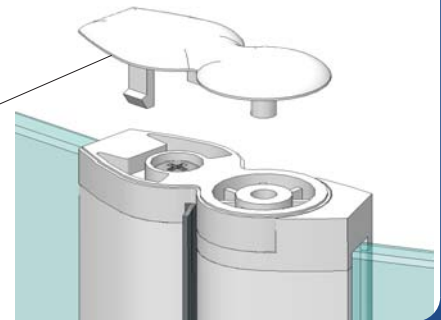
Loosen clamping screw, & fit bracing arm over glass as shown, position bar such that wall end sits flush onto tiled wall. Mark hole position, drill (dia 8mm), plug & affix bracing arm to wall. Ensure gasket & screw pad are against glass faces & re tighten glass clamping screw



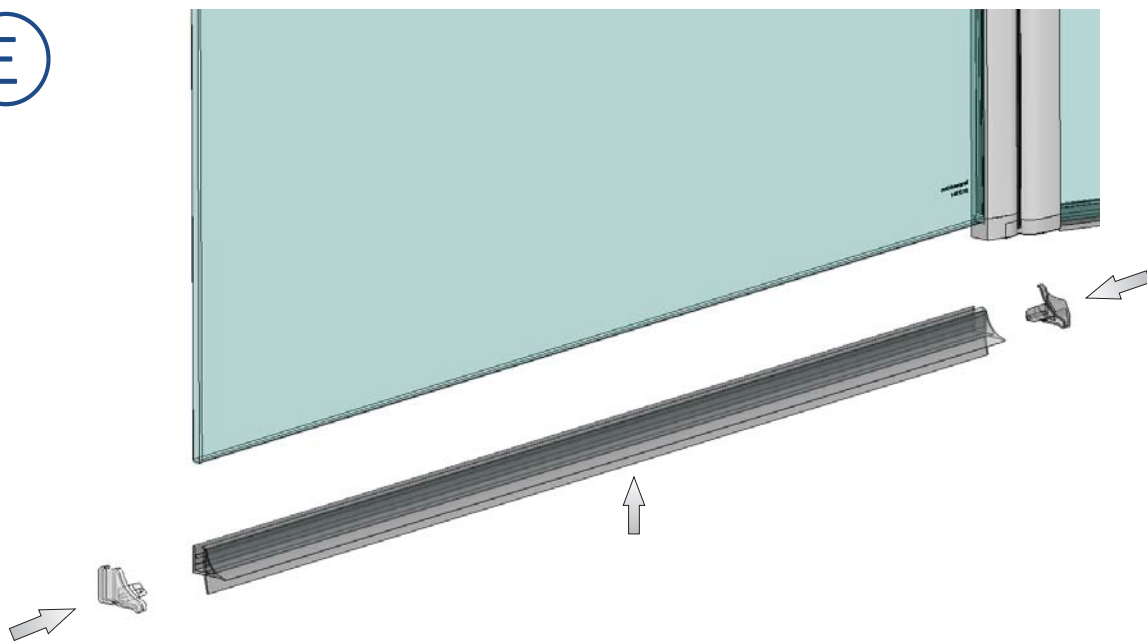
From inside enclosure, using wall rail holes as a guide, drill (dia 3mm), fit cup washer & screw fixed panel to wall rail using 3,5 x 10 long pan head screws. Push on decorative cover caps (3 places).



Select & fit appropriate hand wall rail top cap & fit hinge top cap.

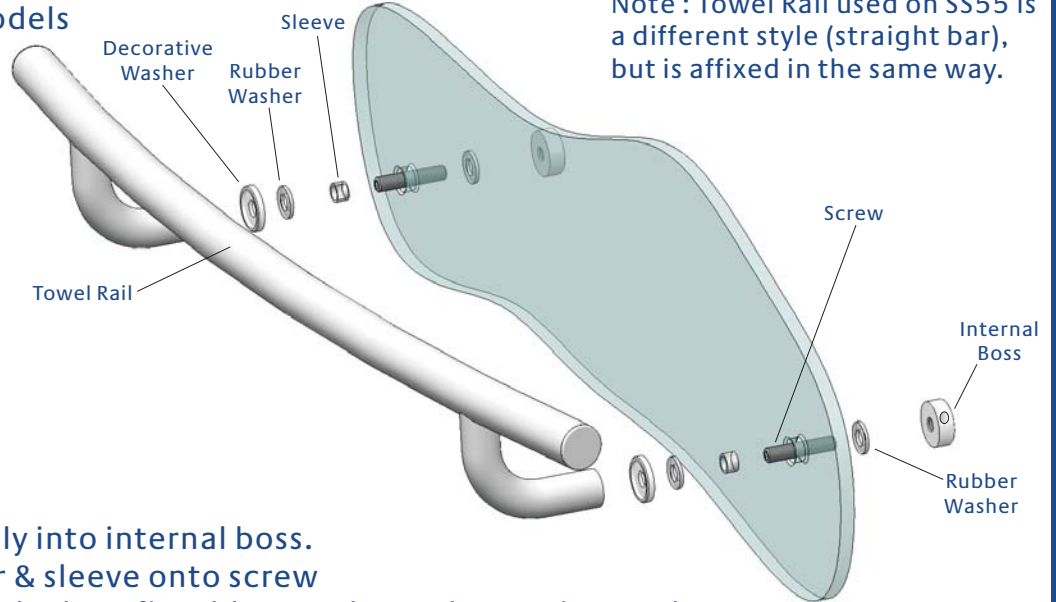


E



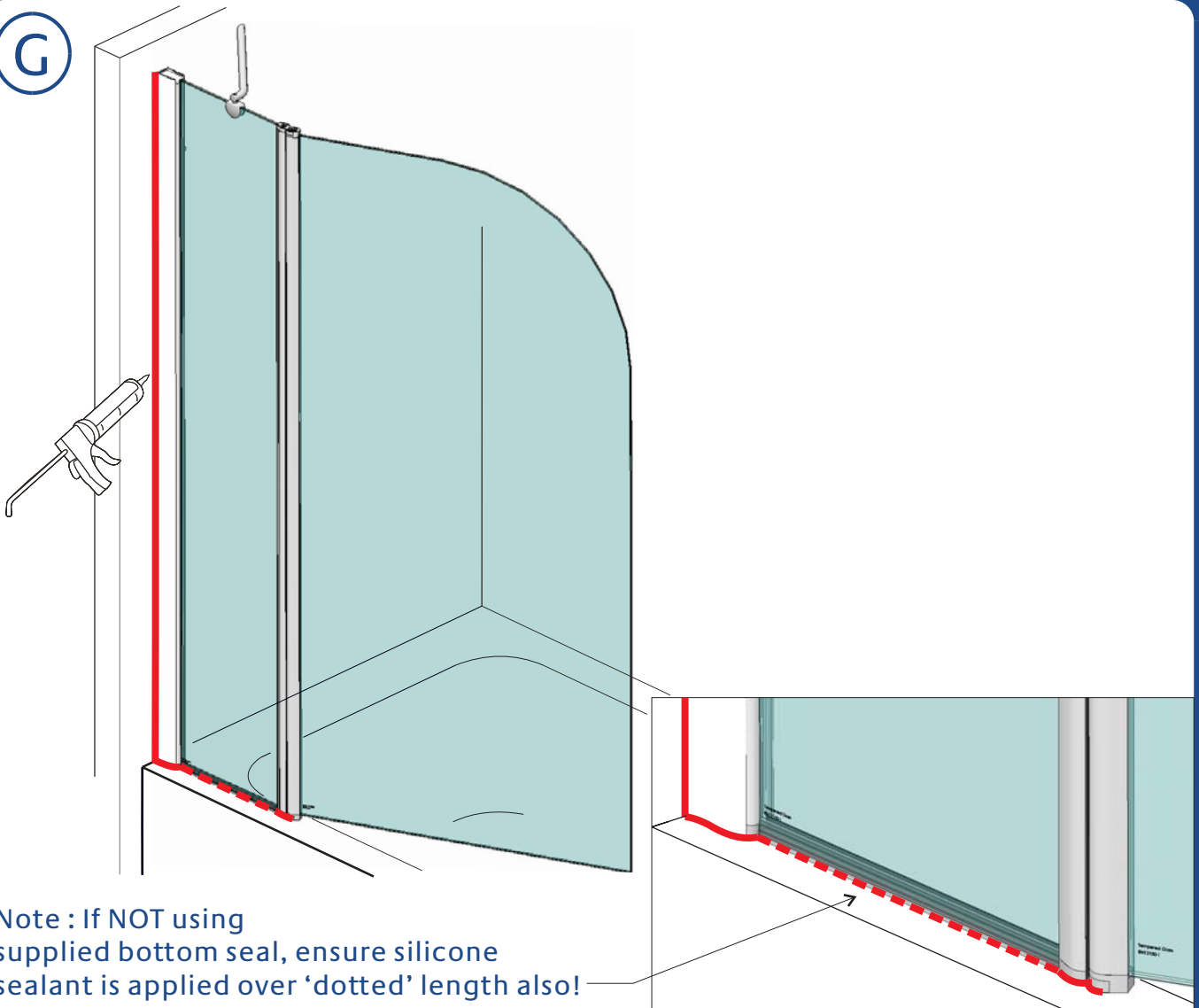
With 'drip strip' to inside, select appropriate hand seal end caps (left /right). Apply clear silicone sealant to hinge end cap & push into seal. Keeping hinge end cap against bottom hinge, push seal upward onto bottom edge of glass (Note : seal may be 'wetted' to ease fitting). Apply clear silicone sealant to outer end cap & push into seal & upto glass edge. Wipe off excess sealant with a damp cloth.

F Towel Rail Models



- A) Tighten screw fully into internal boss.
- B) Fit rubber washer & sleeve onto screw
- C) Pass screw through glass, fit rubber washer & decorative washer onto screw then tighten screw into towel rail by turning internal boss until rail is secure. Additional tightening can be achieved by inserting (dia 2,8mm) drill bit or 2,5mm hexagon wrench (allen key) into the internal boss cross hole.

G



With screen pushed inward over bathtub, apply continuous bead of silicone sealant as indicated **EXTERNALLY ONLY**.

BASIC TROUBLESHOOTING :

Screen hinges noisy / not moving smoothly : Apply sanitary silicone based grease to hinge
Check that hinge seals are not distorted or trapped in gap between profiles.

Leakage in area of bottom hinge : ensure bottom seal is pushed fully upto bottom hinge.

Water pooling on inside of screen : check 'fall' of bath rim is toward bathing area (certain bathtubs are unsuitable for screens of this type). Check also, that screen is positioned adjacent to the inner edge of the bath rim.

Leakage :

The sealing method described in these instructions relies on a continuous seal being applied between walls & bathtub before installing the screen (see fig A), it ensures a watertight seal around the perimeter of the bathtub to the walls.

In the unlikely event of a screen leak, water will be visible externally at the bottom of the screen or around the wall / bottom hinge ONLY. Water / moisture appearing outside this area (ie under the bathtub or at floor level) is normally due to incorrect bathtub installation / sealing.



Lakes Bathrooms Ltd
Alexandra Way
Ashchurch
Tewkesbury
Gloucestershire
GL20 8NB

Service : England, Scotland, Wales
8.30am—5pm Mon~ Thurs
8.30am—4.30pm Fri
Tel / HELPLINE : 01684 853870
Fax : 01684 857411
www.lakesbathrooms.co.uk
email : admin@lakesbathrooms.co.uk

Service : Northern Ireland
Ian A Kernohan
Firtrees
Green Way Industrial Estate
Conlig
Northern Ireland
BT23 7SU

8.30am - 5pm Mon~Thurs
8.30am - 4.30pm Fri
Tel : 02891 270233
Fax : 02891 270597
Email : info@iakonline.com