

TECHNICAL DATA SHEET

Universal Washstand - DC14025

ROPER RHODES

NO.	Description	Product Code	Fixings included	Gross Weight	Net Weight
1	Universal Washstand	DC14025	YES	5kg	3.8kg

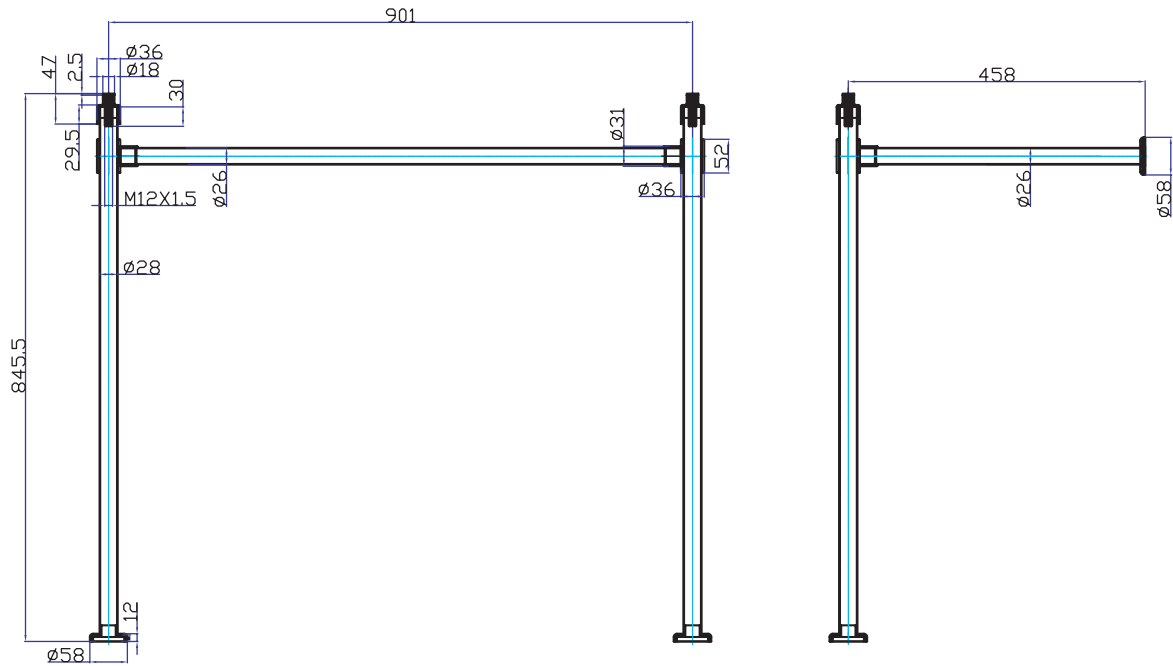


Spares Codes

- Washstand Wall Fixing Bracket - SP18659
- Washstand Wall Fixing Bracket Cover - SP18660
- Washstand Floor Fixing Bracket - SP18661
- Washstand Floor Fixing Bracket Cover - SP18662
- Washstand Fixing Pack Inc Grub Screws - SP18663
- Washstand Side Bar - SP18664
- Washstand Knuckle - SP18927
- Washstand Front Bar - SP18928

DIMENSIONS

DIAGRAMS NOT TO SCALE | ALL DIMENSIONS IN MM | TOLERANCE OF ± 5MM



*Dimensions are subject to change, customers are advised to measure actual product before commencing installation.

FAQs

- Q - What is the washstand made from?
 A - Chrome Plated Steel

Key Dimensions Descriptions	Key Dimensions (mm)
Front to Back	476mm
Left to Right	937mm
Height	845.5mm
Adjustment Height	25mm