

IMPORTANT:

1. Tools Required (not supplied)

Cross Headed Screwdriver
6mm Diameter Drill Bit
Tape Measure
Pencil
Spirit level

2. Tools Required (supplied)

Hex Key

3. Before You Start

The screws and wall plugs supplied are only suitable for use in solid walls. If fitting to other types of wall, ensure suitable fittings are used which are available from any Hardware Store.

Ensure there are no hidden service pipes and cables where you intended to drill.

If drilling into ceramic tiles, use a special bit for ceramic tiles.

Where possible, drill your holes between ceramic tiles in the grout.

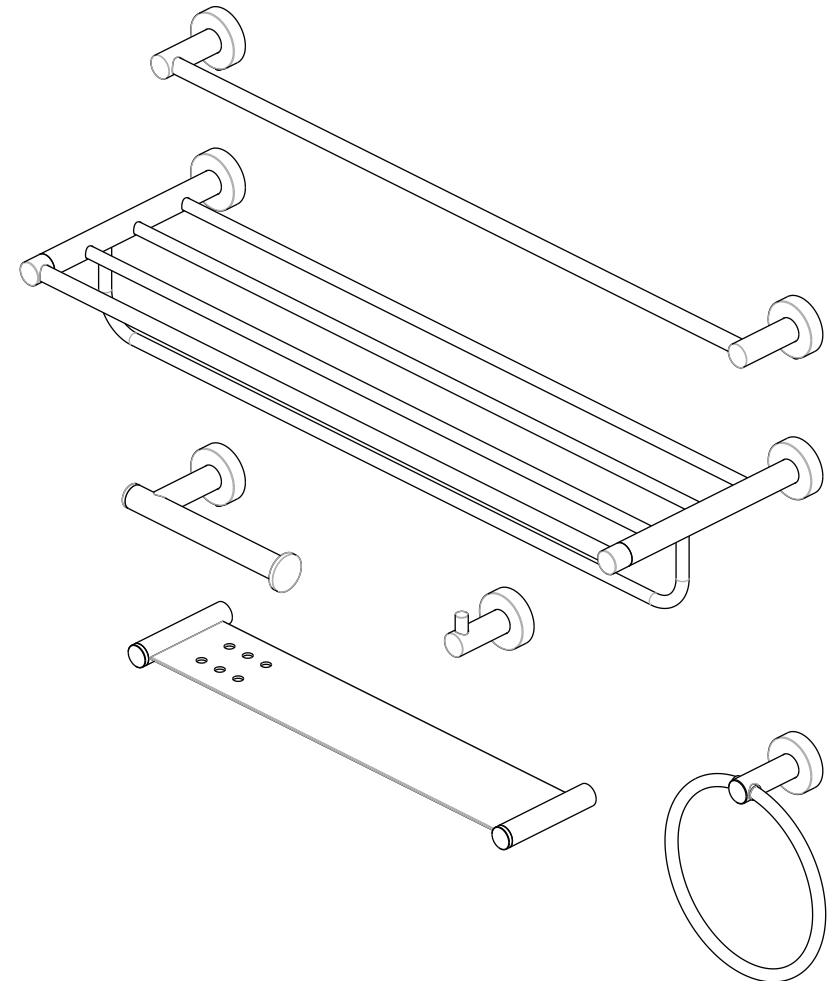
CARE AND MAINTENANCE:

Suggest cleaning the product surface with cleanwater or soft detergent, and then dry with soft towel.

Please do not use any detergent containing hydrochloric acid or caustic chemicals.

Avoid scratching the surface with hard objects, and do not use a coarse cloth to wipe.

The product should be installed by a professional, following the recommended installation instructions.

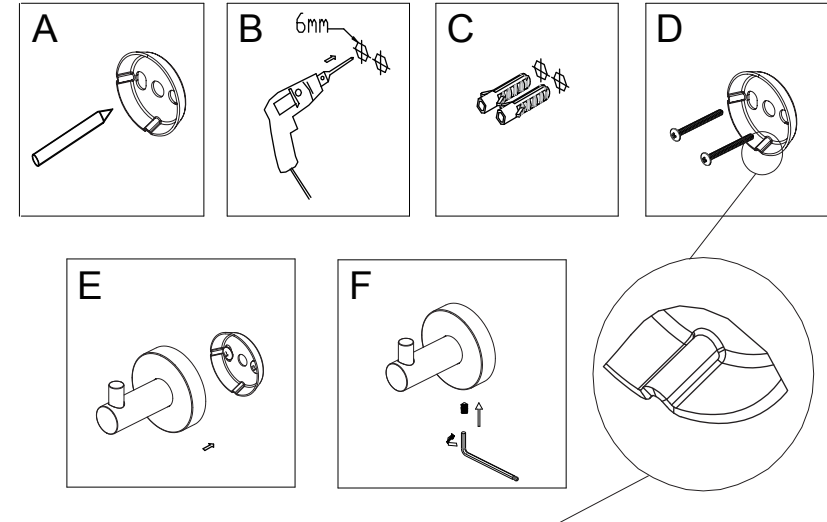


ASSEMBLY INSTRUCTION:

- HOX.015 Hoxton 600 Single Towel Rail**
- HOX.016 Hoxton Towel Rack**
- HOX.017 Hoxton Towel Ring**
- HOX.018 Hoxton Robe Hook**
- HOX.019 Hoxton Single Toiler Roll Holder**

- A. Measure and mark the desired location and ensure the mounting bracket is aligned correctly. Use the mounting bracket as a template to mark the drill holes on the wall.
- B. Drill two holes into the wall at the marked location.
- C. Push in 2 wall plugs ensuring correct plugs for wall type are used.
- D. Attach mounting bracket tightly to the wall by inserting 2 screws using a cross headed screwdriver. If necessary, repeat step A-D to locate the second mounting bracket. Ensure the mounting brackets are aligned horizontally by checking with a spirit level before drilling the second fitting.
- E. Attach fixture onto mounting bracket.
- F. Tighten the grub screw using the provided Hex Key until the fixture is secure.

Assembly Example of Robe Hook:



⚠ Please ensure the groove on the wall plate is at the bottom as indicated in the diagram.

ASSEMBLY INSTRUCTION:

- HOX.020 Hoxton Shelf**

- A. Measure and mark the desired location and ensure the shelf is aligned correctly. Use the shelf as a template to mark the drill holes on the wall. Before drilling ensure the shelf is aligned horizontally by checking with a spirit level.
- B. Drill two holes into the wall at the marked location.
- C. Push in 2 wall plugs ensuring correct plugs for wall type are used.
- D. Remove the two decorate caps. Attach shelf tightly to the wall by inserting 2 screws using a cross headed screwdriver.
- E. Put the two decorate caps back onto shelf.

Assembly Example of Shelf:

