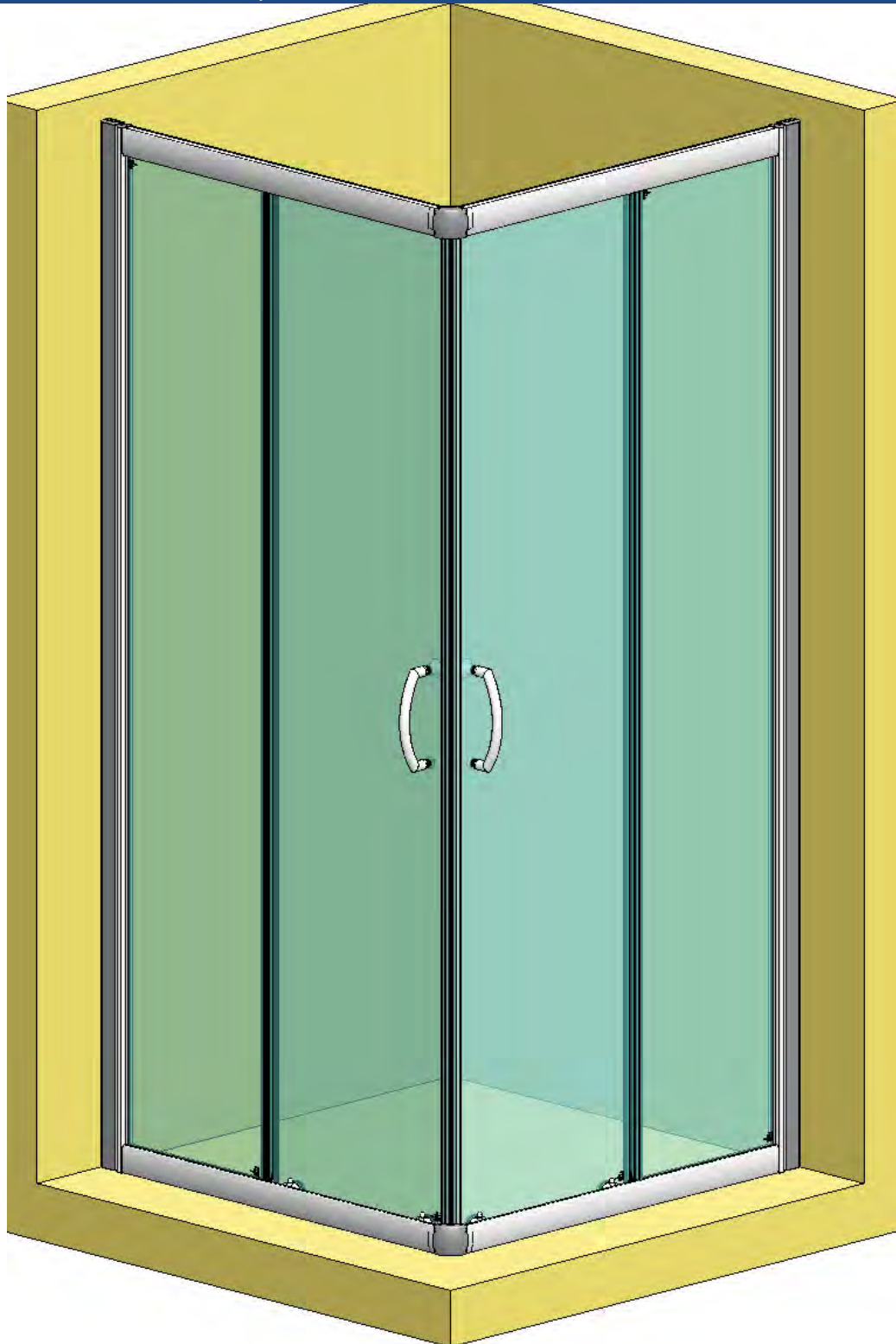


SEMI FRAMELESS CORNER ENTRY Encl. (V2) Installation / Maintenance Instructions



IMPORTANT NOTES :

Please Read Carefully & Retain these instructions for Future Reference.

1. For ease & safety we advise that two persons assemble this product.
2. Protect shower tray surfaces at all times.
3. Check for cables, pipes etc before drilling walls.
4. Ensure all surfaces are dry, clean & free of loose debris / dust.
5. Unpack goods with care (small parts can become lodged in packaging & inadvertently discarded). Check parts supplied against parts & fittings listed herein. Damaged parts / Omissions may be resolved by calling Lakes Bathrooms Helpline.
6. Whilst precautions are taken in manufacture, care must be taken when handling as rail ends may have sharp edges.
7. Before commencing, check :
 - a) shower tray is level & completely sealed to finished / tiled walls.
 - b) finished walls are sound & free of cracks loose tiles / grout.
8. AFTER INSTALLATION, DO NOT 'WET' ENCLOSURE FOR 48 HOURS TO ENSURE FULL CURE OF SILICONE SEALANT.

USE :

General Care & Maintenance.

Providing this product is installed & operated in accordance with these instructions, problems should not arise. However should maintenance be required it should be carried out by a competent person with reference to these instructions. Before any work is carried out the root cause of the problem must be identified. Lakes Bathrooms service engineers are available if necessary to consult / carry out remedial work. Call Lakes Bathrooms HELPLINE.

Cleaning.

(Every one to two weeks depending on local water {hardness} conditions).

All glass panels in this product have a hydrophobic coating aiding 'runoff' of water droplets, reducing the need for frequent cleaning. For best appearance / product life however, regular cleaning is recommended.

Use ONLY mild soap / detergent solutions to clean. Rinse with water, squeegee glass panels & wipe frames dry with a soft cloth. Under no circumstances should abrasive, caustic or scouring products be used. Cleaning products should have pH value 4 ~ 8.

DO NOT use 'spray & leave' type cleaning products.

Non compliance with these cleaning instructions may cause plated / painted finishes to deteriorate & could adversely affect safe operation of the enclosure.

Limescale ~ should a build up of limescale occur, remove using a 50:50 solution of white vinegar & water applied with a soft cloth & rinsed / dried thoroughly afterwards.

Daily Care.

To prevent the build up of limescale, do not allow water droplets to dry on glass or frames. After showering, rinse with water, remove droplets from glass with a squeegee & wipe frame with a soft cloth.

Customer Service.

Quality Guarantee : Lakes Bathrooms Ltd guarantee Shower Doors & Enclosures against any manufacturing or material defects for the lifetime of the product. We will resolve defects free of charge by repairing / replacing parts as we feel necessary. To be 'free of charge' service work must be carried out by Lakes Bathrooms or approved agents.

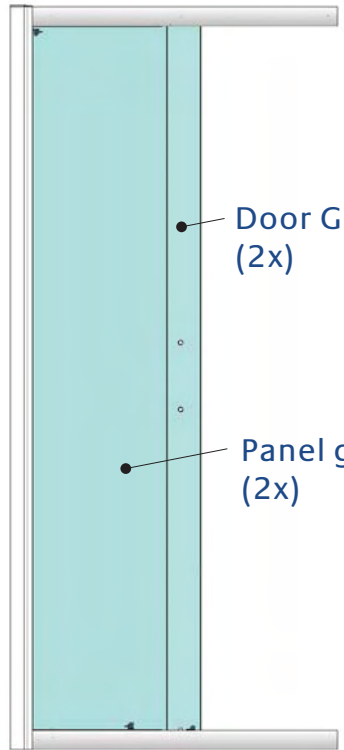
Not Covered by this Guarantee : Damage or defects that result from improper installation, improper use, or lack of maintenance (including limescale buildup). Damage or defects that result from repairs / modifications undertaken by unauthorized persons. This guarantee is in addition to statutory & other legal rights.

What to do if something goes wrong : Should the product not function correctly on initial use, firstly, contact the installer to check that unit installation & commissioning are in accordance with these instructions. Should this not resolve difficulties or should performance decline, consult 'Troubleshooting' section to see if simple home maintenance is needed. Alternatively our HELPLINE staff can assist, or if necessary arrange for a service engineer to visit.

Spares : We maintain extensive spare part stocks. Spares can be ordered / purchased from your retailer in the first instance. Parts will normally be dispatched within two working days from order placement. Pro Forma invoices will be sent for cheque payments.

SUPPLIED PARTS :

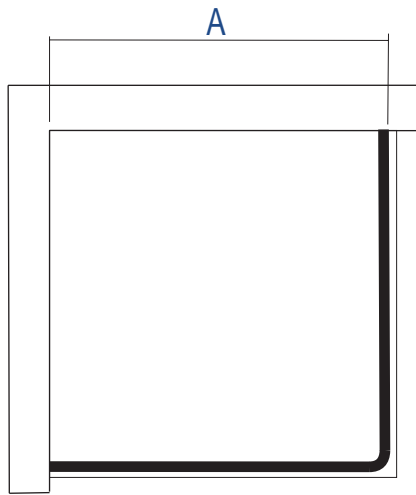
Panel & Door Sub Assys (Handed Pair) comprising:



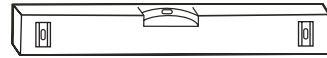
- Vertical Frame Rail (Panel Side) (1850mm 2x)
- Horizontal Frame Rail (2x handed pair)
- Horizontal Glazing Seal (4x)
- Door Glass (2x)
- Panel glass (2x)
- Single Top Wheel Assy (4x)
- Single Bottom Wheel Assy (4x)
- Vertical Glazing Seal (2x)
- 3,5 x 40 long self tapping screw (8x)
- Glazing Block (2x handed pair)
- Decorative Screw Cover Cap (10x)
- 3.5 x 12 long self tapping csk head screw (4x)
- 3.5 x 10 long self tapping pan head screw (8x)
- Doorstop Block (8x)
- Doorstop (Rubber) Buffer (8x)

- Wall Rail (1850mm 2x) fig A
- Corner Cleat (2x) fig B
- Corner Cover (2x) fig B
- Magnetic Seal (Door) (1818mm 2x) fig D
- 4 x 20 long self tapping screw (8x) fig B
- Edge Seal (2x 1818mm) fig D (2x 1752mm) fig D
- Top Cap (2x) (panel vert rail) (handed pair) fig C
- Handle Kit (1x) comprising :
 Handle
 Top Knob
 Bottom Knob
 Screw (2 per kit)
 Sleeve (2 per kit)
 Washer (4 per kit) fig D
- 4 x 45 long self tapping screw (6x) fig A/G
- 7,5 x 39mm Wall Plug (6x) fig A
- 3.5 x 10 long self tapping pan head screw (6x) fig H
- Cup Washer (12x) fig A/H
- Decorative Screw Cover Cap (12x) fig H
- Top Cap (2x) (wall rail) (handed pair) fig C

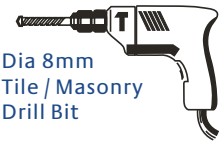
Size	Adjustment (A)
750mm	710 to 740mm
800mm	750 to 780mm
900mm	850 to 880mm
1000mm	950 to 980mm



Tools Required



Spirit Level (with vertical 'bubble')



Dia 8mm
Tile / Masonry
Drill Bit



Tape
Measure



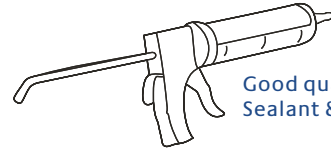
Pencil



Dia 3mm
HSS Drill Bit



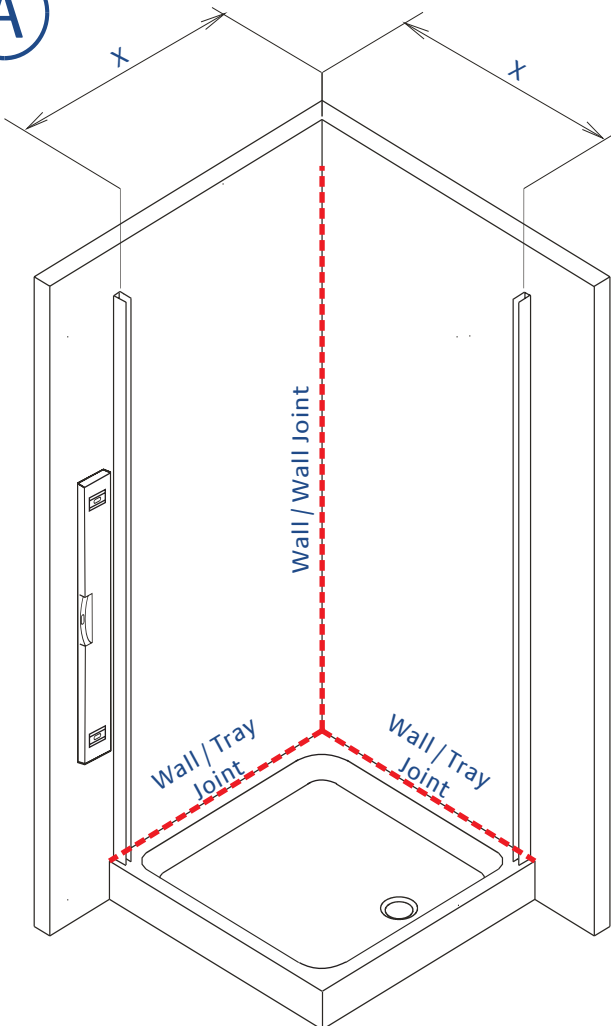
Screwdriver (Pozi Drive)



Good quality Silicone
Sealant & applicator

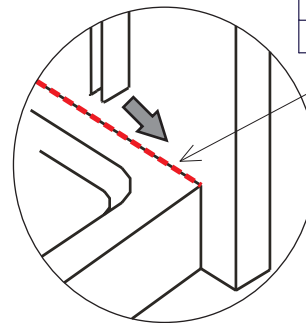
Ensure tray is correctly levelled & that tray / wall (tile) joints are sealed & cured over entire length of tray sides (See Fig A) prior to fitting enclosure.
DO NOT SEAL TRAY EDGES UPTO A FITTED ENCLOSURE !

A



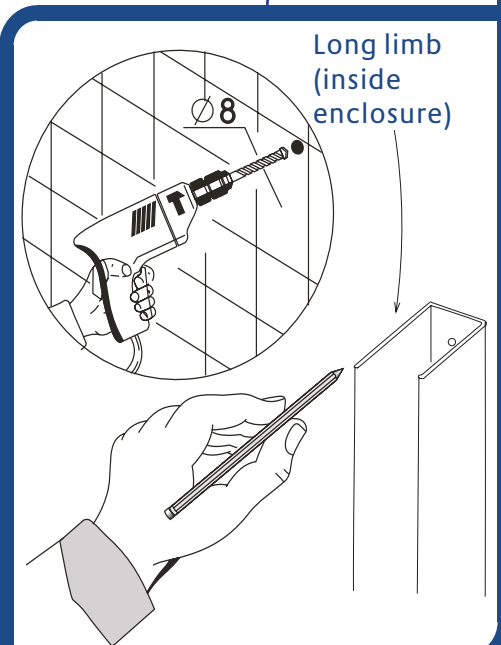
Wall Profile Position (To Inside)

Size	Dim'n X
750	710
800	750
900	850
1000	950



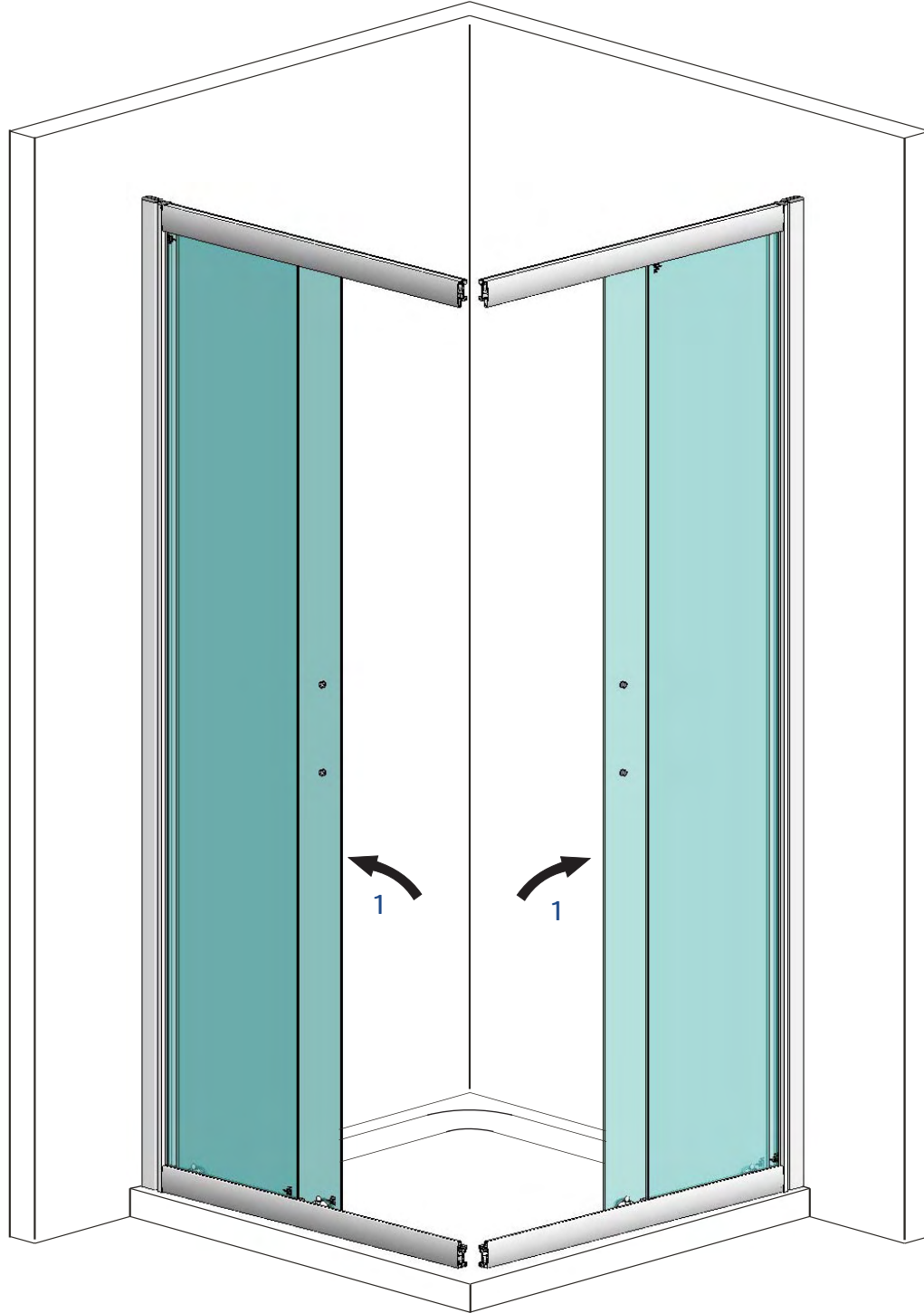
Ensure continuous
silicone sealant bead
before fitting wall rails

dia 4 x 45 lg

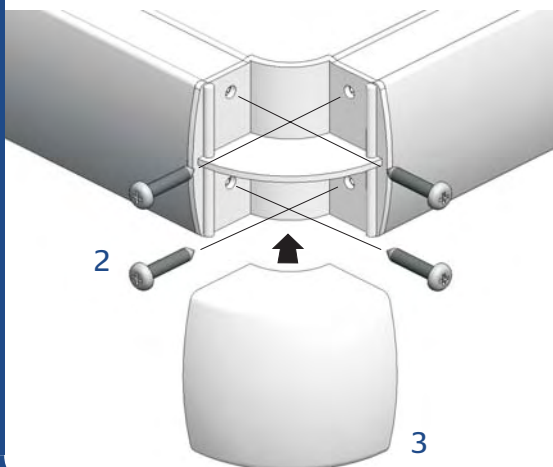


Measure & mark wall rail Positions. Mark fixing hole positions, drill, plug walls & affix both Wall Rails

B

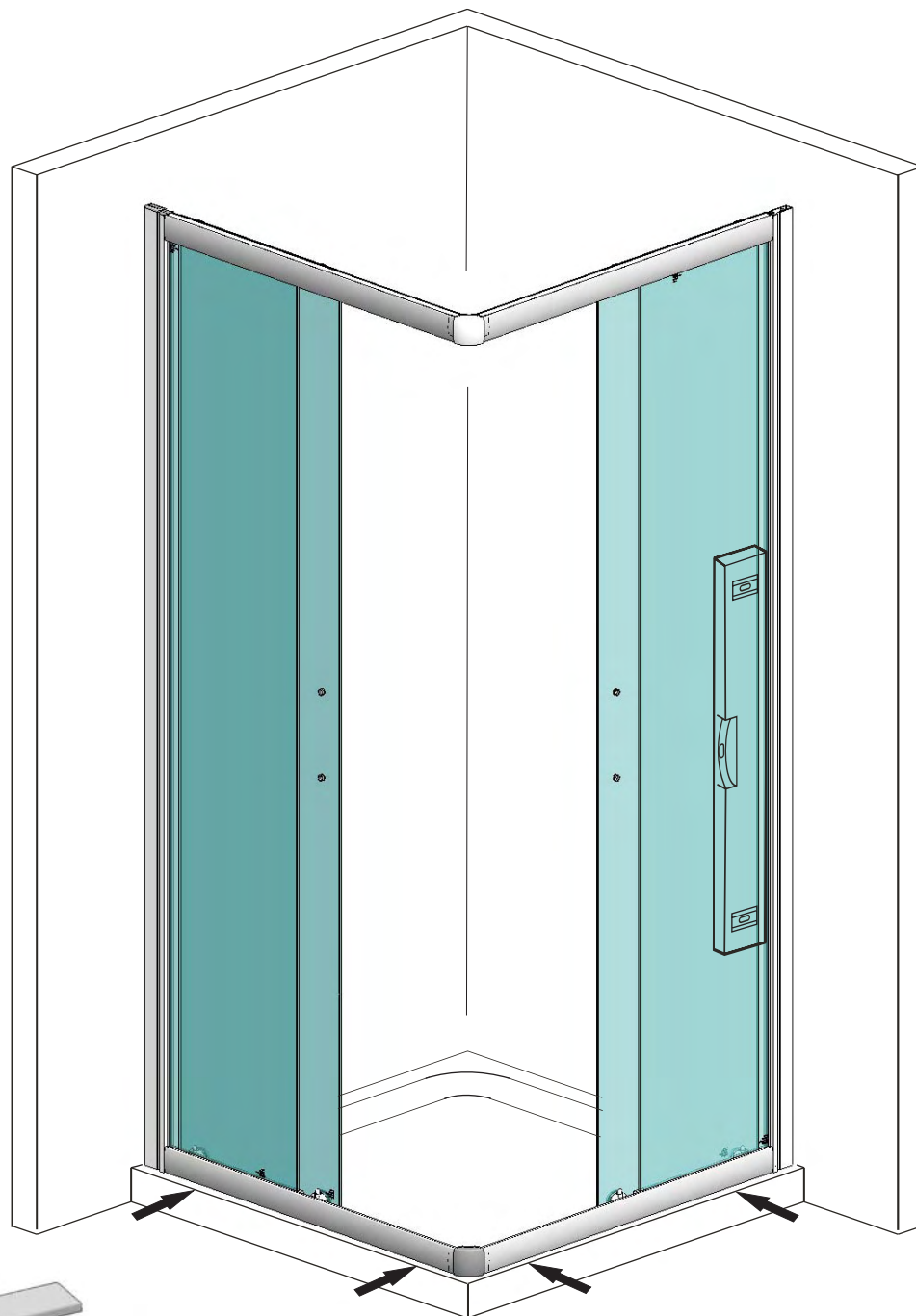


1. Ensuring that 'Top wheels' are at the top, & with doors in fully open position, carefully lift panel sub assemblies onto tray & push fully into wall profiles.

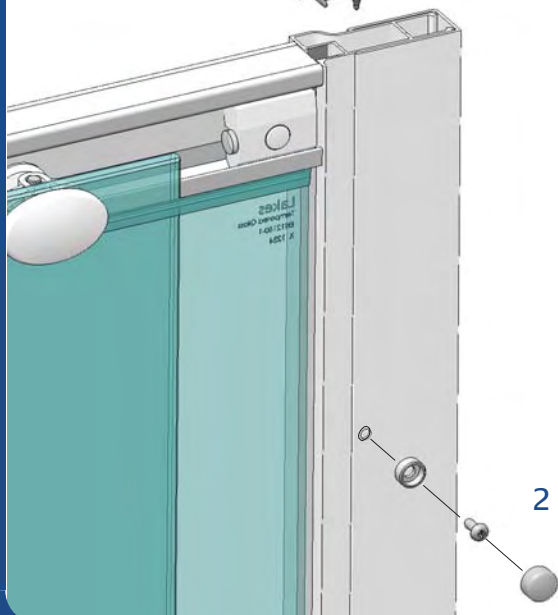
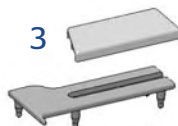


2. Fit corner cleats into open rail ends & secure with 4 x 20 long pan head screws (4 per cleat).
3. Align & push on decorative covers.

C



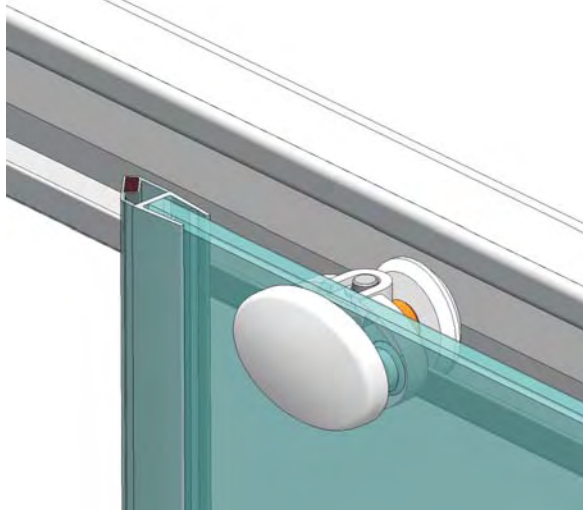
3



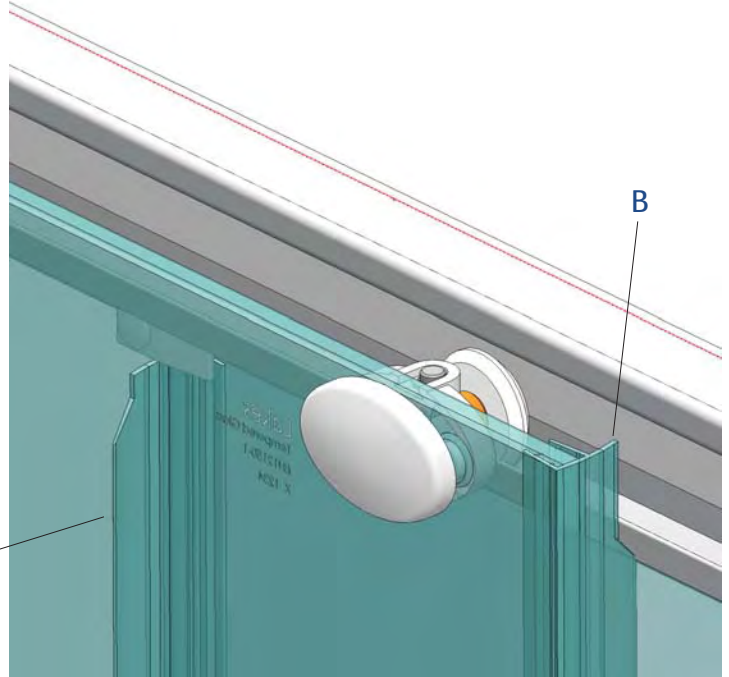
2

1. Adjust enclosure panels to give even gap to tray edge along both sides, ensure unit is plumb & that doors slide smoothly between stops.
2. From inside enclosure, using wall rail holes as a guide, drill (dia 3mm) fit cup washer & screw main panel to wall rail using 3,5 x 10 long pan head screws (3x per wall rail). Push on decorative cover caps to ALL screws/washers.
3. Fit profile top caps to vertical & wall rails.

D



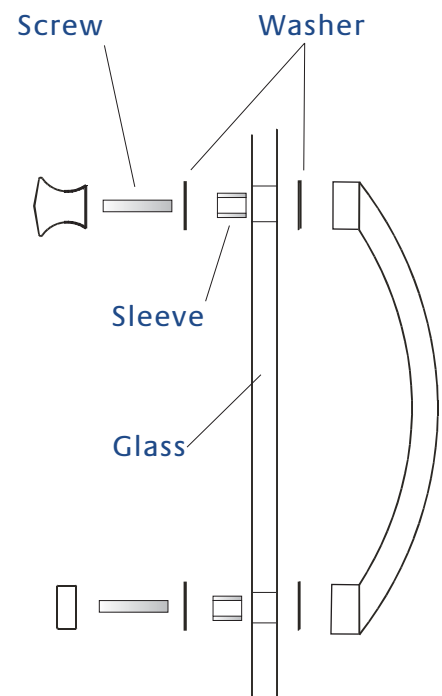
Fit magnetic seal to leading edge of door glass (2x)



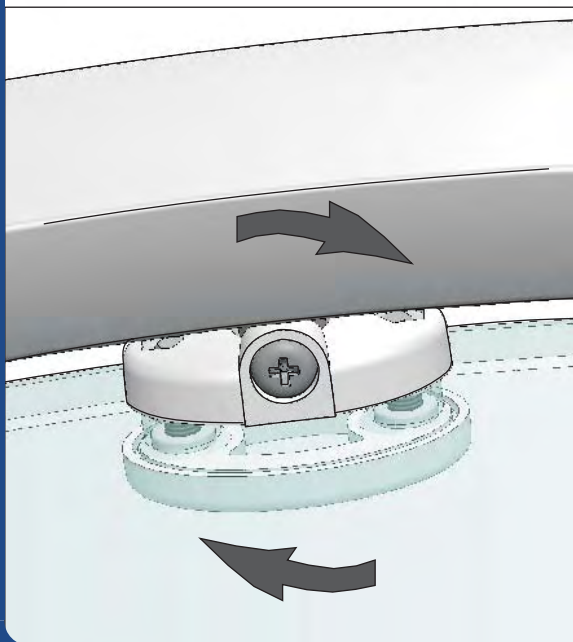
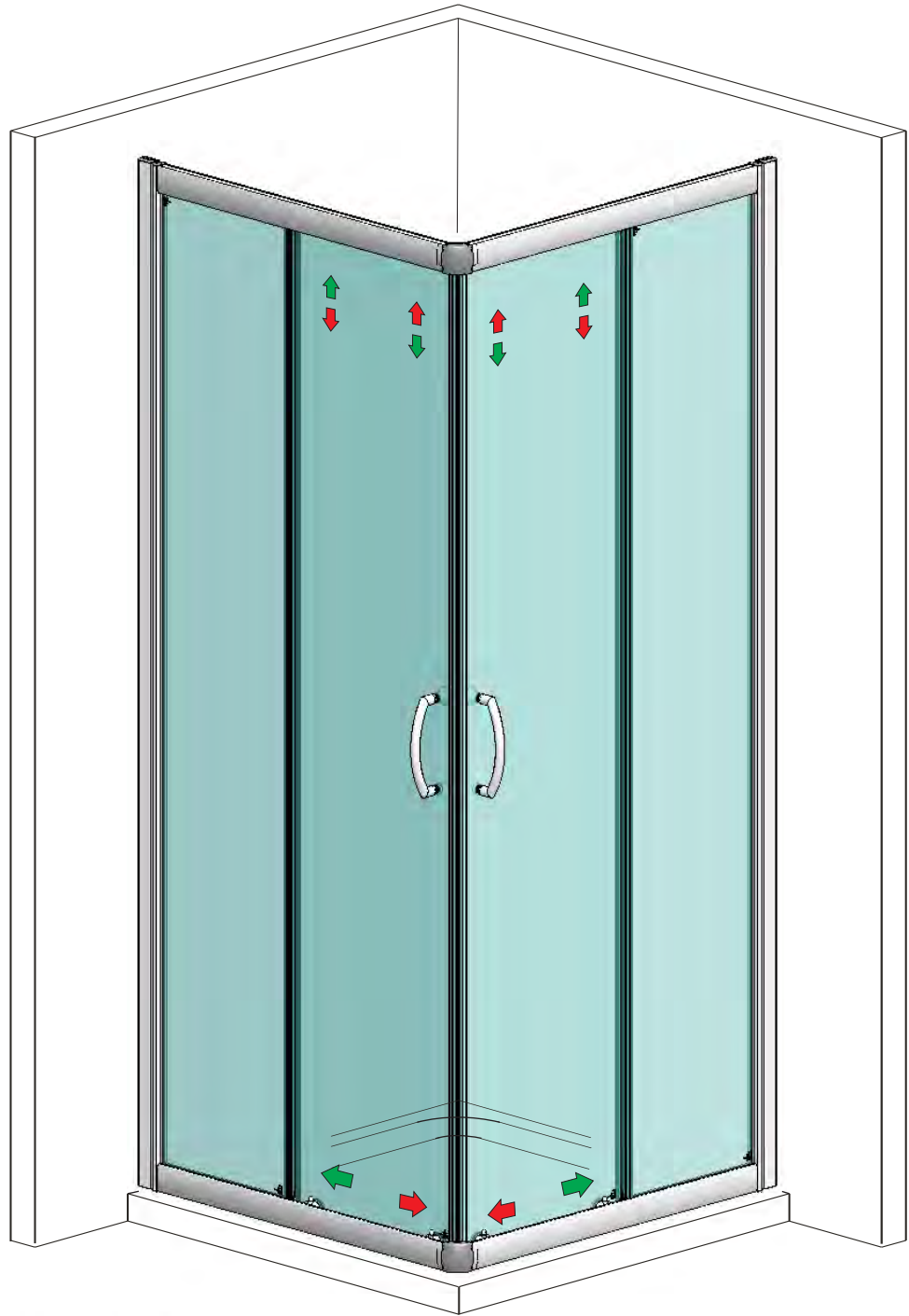
Note : Seals may be wetted to ease assembly.

Fit panel edge seal (1752mm) to panel glass (A) & door edge seal (1818mm) to trailing edge of door glass (B) (2x).

Fit Door Handles

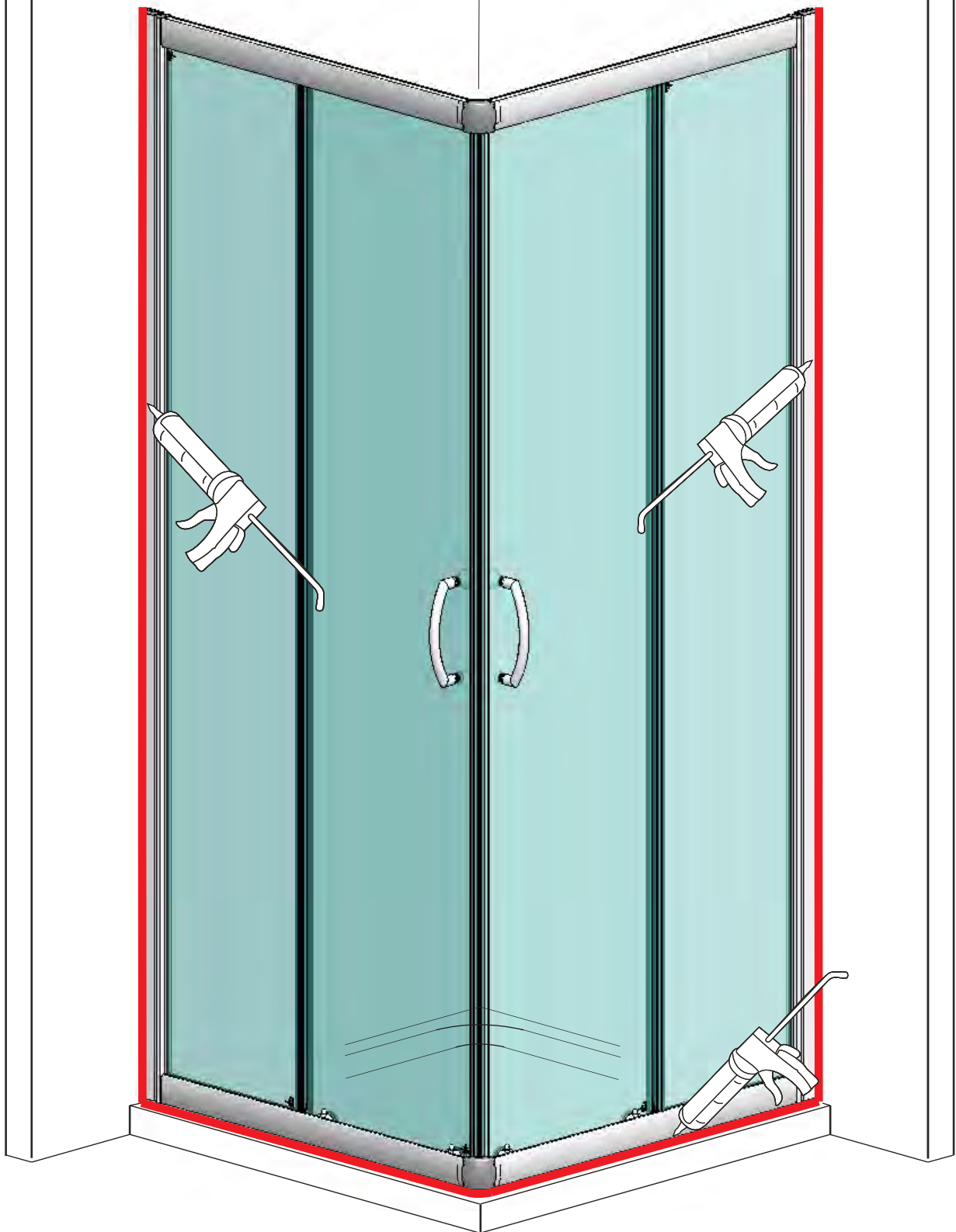


E Adjust Doors



Adjust door heights until doors run smoothly on rails. Adjust door angles so that magnetic seals meet squarely & hold doors in closed position. Turn adjusting screw clockwise to raise door.

F



Use of good quality silicone sealant & cleaning / degreasing of all joint areas is recommended.
Apply continuous silicone sealant bead as indicated EXTERNALLY ONLY

BASIC TROUBLESHOOTING :

Door magnetic seals not meeting precisely / not holding :
Check plumb/level of frame & door alignment, adjust frame if necessary (see fig C).

Door motion noisy / Door not running smoothly :
Check for edge seals dragging on glass (can cause 'clicking' noise).
Wheels & Grooves are factory greased, however over time this may disperse or become contaminated by dust etc, cleaning of grooves & re application of sanitary silicone based grease will restore & ensure smooth door motion.

Leakage :

The sealing method described in these instructions relies on a continuous seal being applied between shower walls & tray before installing the enclosure (see fig A), it ensures a watertight seal around the perimeter of the enclosure to the shower walls & tray.

In the unlikely event of an enclosure leak, water will be visible on the outside of the enclosure itself, or around the perimeter silicone seal ONLY. Water / moisture appearing outside this area (ie at floor level) is normally due to incorrect tray installation.



Lakes Bathrooms Ltd
Alexandra Way
Ashchurch
Tewkesbury
Gloucestershire
GL20 8NB

Service : England, Scotland, Wales
8.30am—5pm Mon~ Thurs
8.30am—4.30pm Fri
Tel / HELPLINE : 01684 853870
Fax : 01684 857411
www.lakesbathrooms.co.uk
email : admin@lakesbathrooms.co.uk

Service : Northern Ireland
Ian A Kernohan
Firtrees
Green Way Industrial Estate
Conlig
Northern Ireland
BT23 7SU

8.30am - 5pm Mon~Thurs
8.30am - 4.30pm Fri
Tel : 02891 270233
Fax : 02891 270597
Email : info@iakonline.com