

VAX2 SNK C

VALUE Tap Range X Head Monobloc Sink Mixer Chrome



Features:

- Metal handles
- Supplied with metal fixing nut
- Chrome plated to BS EN 248

Product Certifications:



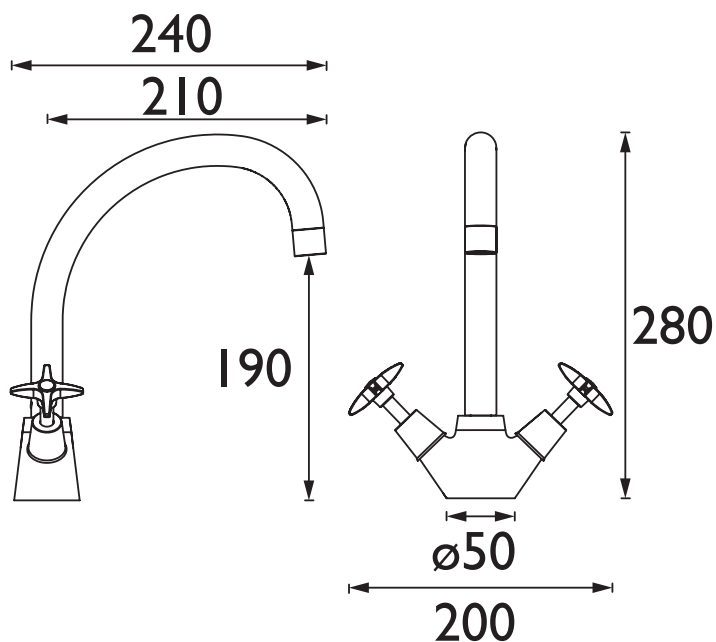
For more products, visit our website:
<http://www.bristan.com>



Specification

Product Type:	Taps
Main Construction Material:	Brass
Mount Type:	Deck
Handle Type:	Cross Head
Connection Inlet:	15mm Compression
Connection Outlet:	Flow Straightener
Number of Tap Holes:	1
Valve/Cartridge Type:	Standard 1/2 Valve
Plumbing System Requirements:	Suitable for all plumbing systems
Minimum Dynamic Pressure:	0.2 bar
Maximum Dynamic Pressure:	8
Maximum Hot Water Temperature: °C	65
Maximum Static Pressure: (bar)	10
Flow Type:	Single
Isolation Included:	No

Dimensions (measurements in mm)



Flow Rates (l/min)

System Pressure (bar)	0.2	0.5	1	2	3	5
Hot	7.1	12.6	18.3	26.3	30.8	38.1
Cold	6.5	11.9	17.4	24.9	29.5	36.4
Mixed	12.1	21.6	31.5	45.2	55.6	71.2

TECHNICAL
DATA
SHEET



BRISTAN

D1