

After care service

Cleaning your product

When cleaning the cabinet or any mirrored surfaces it is recommended to use a soft, dry, non abrasive cloth with the cabinet turned off. Do not use cleaning agents or abrasive materials.

Do not allow moisture to come into contact with any electrical components.

Troubleshooting & After care service

For any further assistance, please feel free to contact our tech support team at: techsupport@roperrhodes.co.uk.

10 Year Guarantee

We have complete confidence in this Roper Rhodes bathroom cabinet and as such it is offered with a 10-year guarantee against defects in manufacture.

The guarantee requires that this product be used in the manner for which it was intended and that it is installed and maintained in accordance with the fitting instructions.

The guarantee covers products in domestic use only and is not transferable.

In the unlikely event that this product should fail during the guarantee period we will either replace the faulty part or the complete unit as appropriate.

Compliance

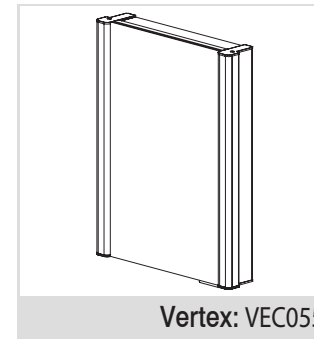
This product complies with all relevant British and European safety standards.



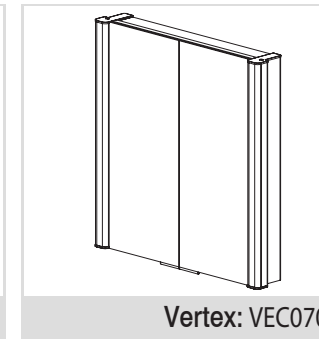
© Roper Rhodes Ltd. 2019

Roper Rhodes, Brassmill Lane Trading Estate, Bath, BA1 3JF
TEL: 01225 303 900 | techsupport@roperrhodes.co.uk
www.roperrhodes.co.uk

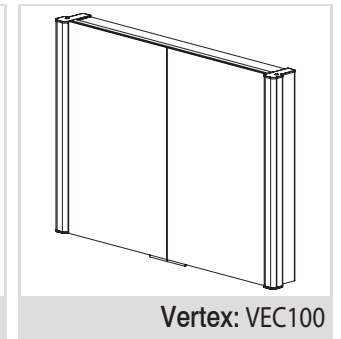
ROPER RHODES®



Vertex: VEC055



Vertex: VEC070



Vertex: VEC100

Vertex LED Illuminated Recessible Cabinet Installation & Aftercare Instructions

Retain for future reference

Electrical Safety

Suitable for UK Installations **only**.

All fittings must be installed by a competent person, in accordance with current IEE wiring regulations. If in doubt consult a qualified electrician.

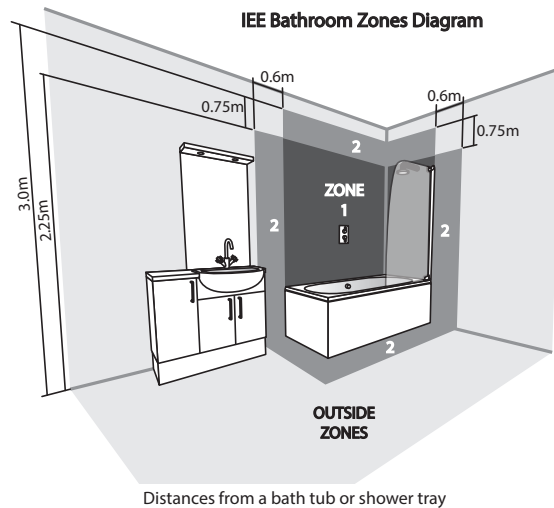
Important: Always switch off the electrical supply at the mains before installation and maintenance. It is recommended that the fuse is withdrawn or the circuit breaker is switched off for the necessary circuit before installation commences.

This product is manufactured to class I category and **must** have an earth connection.

WIRING DIAGRAM - MAINS SUPPLY



Bathroom Zones



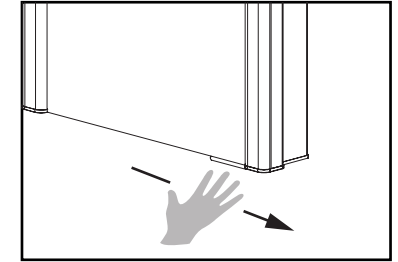
Bathroom fittings are subject to the appropriate zones in accordance with IEE Regulations. This product is **only** suitable for permanent indoor installation in Zone 2 and outside zones. (See above) This product is **not** suitable for installation in Zone 0 or 1, saunas, steam rooms or shower cubicles. Do **not** connect to a trailing plug and socket. Do **not** install onto surfaces that are either damp or electrically conductive.

Operating Instructions

The Vertex cabinet comes with LED lighting, which is controlled via a fixed IR sensor located on the underside of the product. The lighting can be controlled using the button functions detailed below:

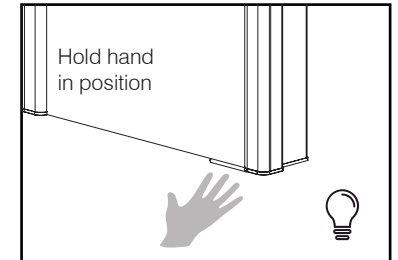
Turn Mirror ON/OFF

To turn the product on/off, slowly wave your hand in front of the IR sensor.



Change LED colour

1. When the mirror is OFF
2. Hold your hand in front of the IR sensor to adjust the colour temperature.
3. Remove hand from IR sensor once desired colour temperature is achieved.



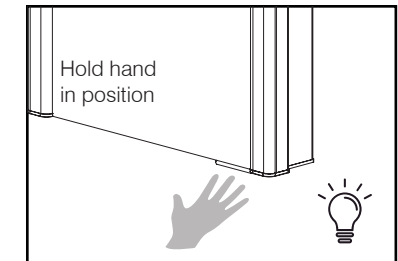
Note: The colour temperature will be memorised.



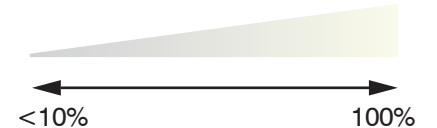
Warm Natural Daylight
 White → White → White
 2700K 4000K 6000K

Change LED intensity

1. When the mirror is ON
2. Hold your hand in front of the IR sensor to adjust its brightness.
3. Remove hand from IR sensor once desired intensity is reached.



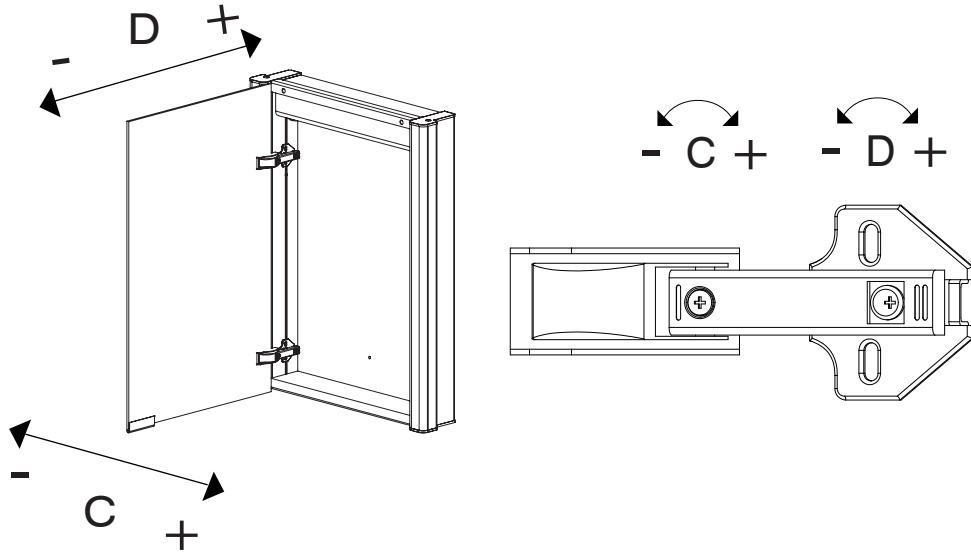
Note: The brightness will be memorised.



Final installation stage - Recess & Surface Mount

Step 1 - Door Alignment

1.1 – Adjust the cabinet doors using the adjustment screws on the hinges. As shown below.



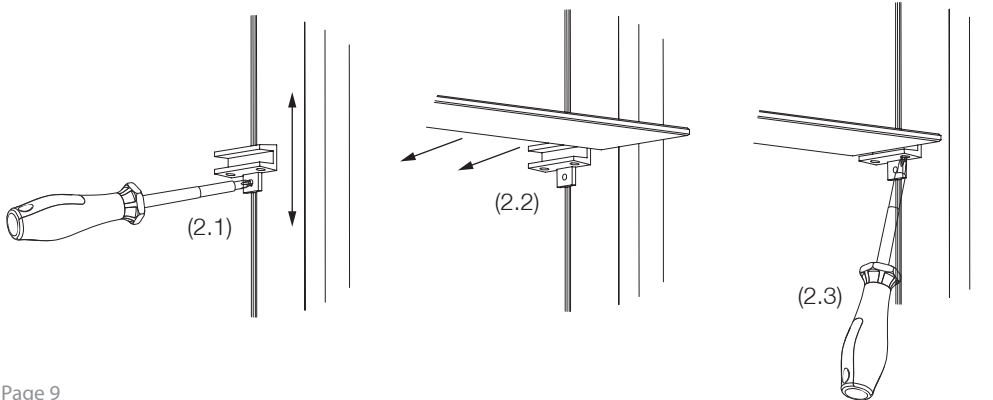
Step 2 - Installing the shelves

2.1 – Adjust the shelf supports to the desired height by sliding up/down and tightening the screw as shown below (2.1).

2.2 – Slide the glass shelf into the shelf supports (2.2).

2.3 – Tighten the plastic screws. Do not over tighten as you may round off the plastic screw head (2.3).

2.4 – Repeat steps 2.1 to 2.3 for the remaining shelves.



Installation Procedure - Surface mount & Recess

Important: Before starting the installation process, make sure the electrical supply is switched off. It is recommended that the fuse is withdrawn or the circuit breaker is switched off for the necessary circuit.

Important: Before starting the installation process, ensure the partition construction is suitable. Ensure it can support the weight of the cabinet, there is enough depth within the wall partition to house the cabinet, studs and noggins are suitably spaced and there is nothing obstructing the recessed area.

Important: The product must be installed with a minimum distance of 150mm between the infrared sensor and any adjacent wall or obstruction to ensure correct function of the sensor.

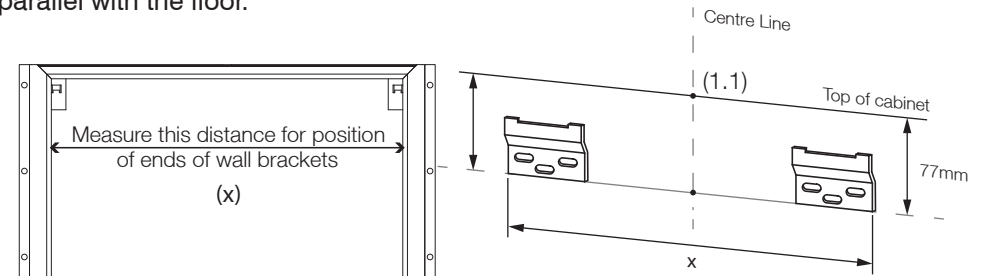
Note: If the cabinet is recessed into the wall it will require the construction of a framework within the wall to seat and support the cabinet. This must be straight and square to ensure a successful installation. If in doubt consult a professional fitter.

Surface mount - Step 1 - Installing the cabinet

1.1 – Using a pencil, mark on the wall where you wish the centre of the top surface of the cabinet to be (1.1).

1.2 – Measure 77mm vertically below this point and make a mark.

1.3 – Using a spirit level, draw a line of distance X centred on this point and parallel with the floor.

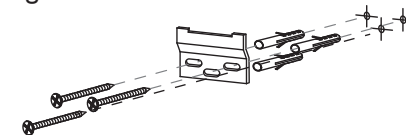


1.4 – Align the outer edge of the wall brackets with the ends of this line X.

1.5 – Using the wall brackets as a guide, mark the hole positions.

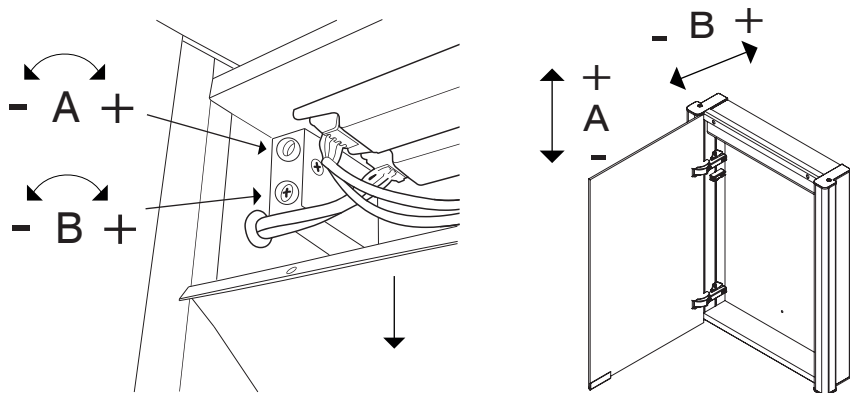
1.6 – Drill the marked holes and fit the wall plugs.

1.7 – Screw the wall brackets into place ensuring the screws are fully tightened but take care not to overtighten.



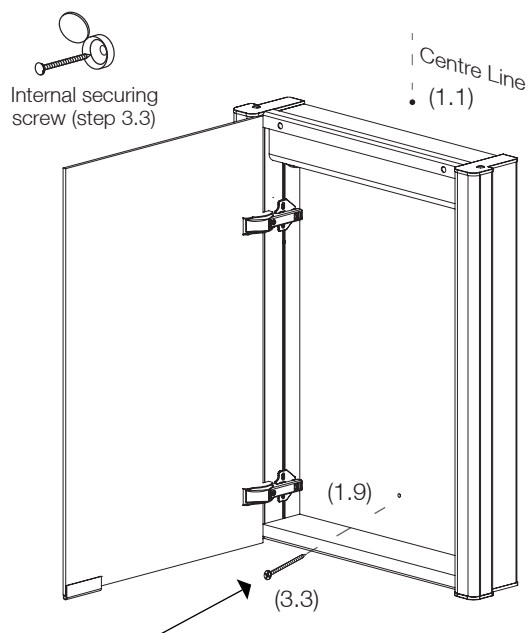
Installation Procedure - Surface mount

1.8 – Hang the cabinet on the wall brackets and check its level (finer adjustments can be made by opening the cabinet's top electrical compartment and turning screw A on each individual hanger until level).



1.9 – When the cabinet is level, mark the hole on the lower section of the cabinet backboard (1.9). Take the cabinet off the wall.

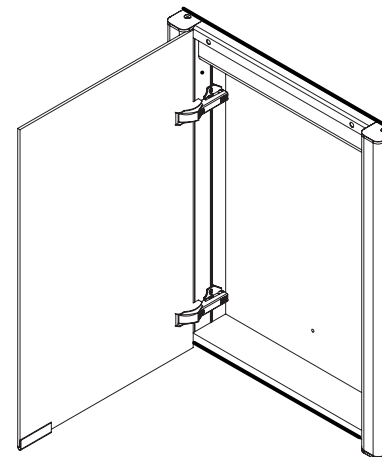
1.10 – Drill and fit the wall plug into the hole just marked.



Installation Procedure - Recess

4.6 – Check the cabinet is flush and securely fitted to the wall.

4.7 – Continue to step 5.



Step 5 - Turning the power on

Important: Before turning the power back on, make sure the cabinet is securely installed and all electrical connections are safe to turn on.

5.1 – If the fuse was removed, re-insert the fuse and switch power on. If circuit breaker was switched off, turn back on.

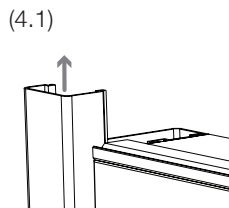
5.2 - Check the functionality of the cabinet, operating instructions can be found on page 10.

5.3 - Skip to page 9 to view how to install the shelves and adjust the door position.

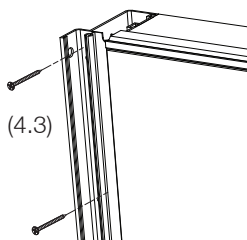
Installation Procedure - Recess

Step 4 - Installing the cabinet

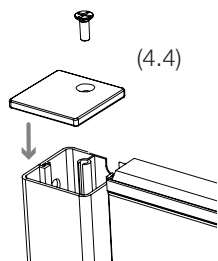
Slide up to remove light diffusers.



Remove plastic plugs and then screw to stud wall.



Refit light diffusers and replace end caps with small square caps.



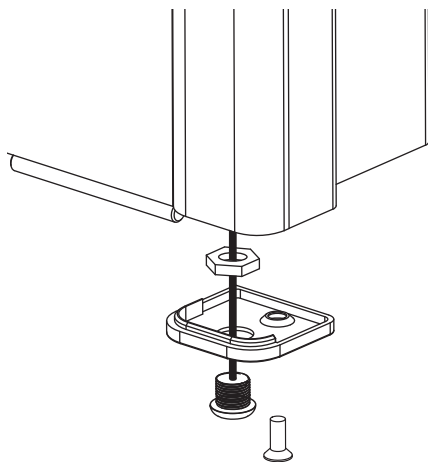
4.1 – Remove the diffuser covers.

4.2 – Fit the cabinet into the recess. The cabinet should be able to hold itself within the frame.

4.3 – Screw to stud wall through holes in aluminium channel.

4.4 – Refit the diffuser covers and replace all end caps using the smaller square end caps supplied for recessed installations.

4.5 – Carefully refit the infra-red sensor retaining nut.



Installation Procedure - Surface mount

Step 2 - Connecting to power

Important: Before connecting the cabinet to the mains supply, make sure the electrical supply is switched off. It is recommended that the fuse is withdrawn or the circuit breaker is switched off for the necessary circuit.

2.1 – Connect to mains electrical supply. Connections should be made in accordance with the latest IEE regulations. This cabinet is manufactured to CLASS 1 and requires an earth connection.

Step 3 - Finishing the installation

3.1 – Hang the cabinet on the wall brackets and tighten screw B within the electrical compartment. This will pull the cabinet closer to the wall.

3.2 – After all cabinet hanger adjustments are complete, close the electrical compartment and screw shut using provided screws.

3.3 – Screw in the internal securing screw (3.3).

Step 4 - Turning the power on

Important: Before turning the power back on, make sure the cabinet is securely installed and all electrical connections are safe to turn on.

4.1 – If the fuse was removed, re-insert the fuse and switch power on. If circuit breaker was switched off, turn back on.

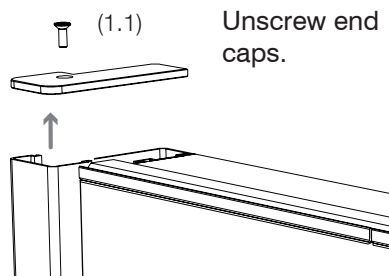
4.2 – Check the functionality of the cabinet, operating instructions can be found on page 10.

4.3 - Go to page 9 to view how to install the shelves and adjust the door position.

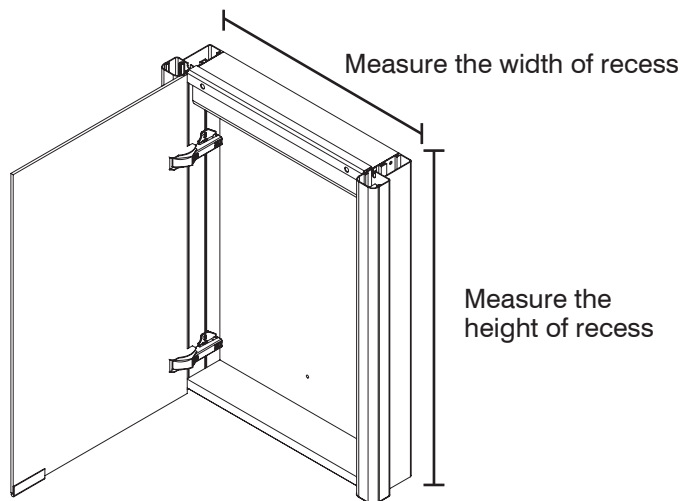
Installation Procedure - Recess

Step 1 - Marking out the recessed area

1.1 – Remove the end caps from both sides, carefully unscrew the infra-red sensor retaining nut.



1.2 - Before cutting any recess, measure the appropriate dimensions shown in the below diagram.



1.3 - Mark out the recess on the wall. Special attention must be taken to ensure there is nothing within the desired recessed space.

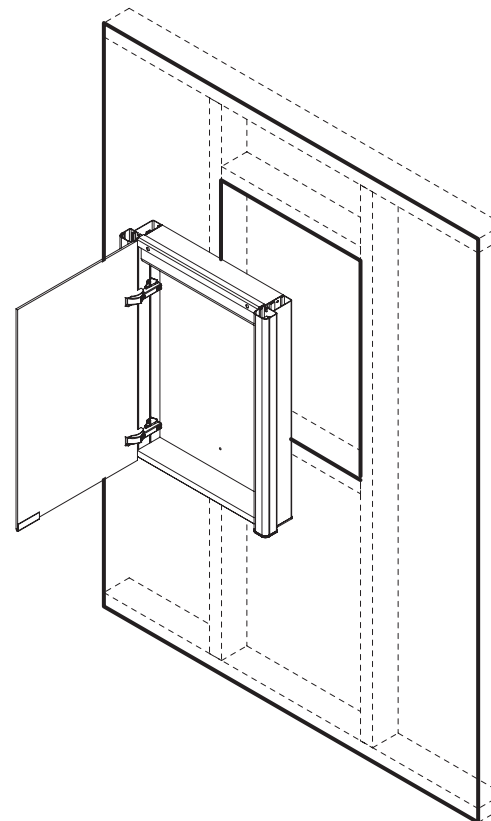
1.4 - Cut out the recess. Check the fit of the cabinet ensuring that it fits square and flush to the wall. Remove cabinet once successfully checked.

Installation Procedure - Recess

Step 2 - Fabrication of internal framework

2.1 - Construct a framework on the rear of the wall partition as shown below that will securely house the recessed cabinet.

2.2 - Check the fit of the cabinet into the frame ensuring that it fits square and flush within the framework. Remove cabinet once successfully checked.



Step 3 - Connecting to power

Important: Before connecting the cabinet to the mains supply, make sure the electrical supply is switched off. It is recommended that the fuse is withdrawn or the circuit breaker is switched off for the necessary circuit.

3.1 - Connect to mains electrical supply. Connections should be made in accordance with the latest IEE regulations. This cabinet is manufactured to CLASS 1 and requires an earth connection.