

## General Care & Safety

Wall plugs supplied are ONLY suitable for solid stone/brick walls. They are not suitable for use in aerated blocks or similar. If fixing to a stud wall, sufficient extra internal reinforcements must be made to the wall. Screws must locate into suitably reinforced studs and noggins.

Take care using power tools – The use of a residual current device (RCD) is recommended. Beware of hidden cables or pipes when drilling.

This product can be dangerous if installed incorrectly. This product must be installed by a qualified plumber or installer. It is the installer's responsibility to check that the fixings are suitable for the installation in hand.

Cistern fittings are suitable for Water pressure: 0.2 - 10 bar. Do not add caustic chemical substances (e.g. containing chlorine compounds or similar) into the cistern. These can damage the valve components and cause failure.

Before starting to enclose the cistern, the system must be first tested for leaks before 2nd fix commences. Temporarily fix the back to wall pan in place and make connections. Turn the water supply on and flush the pan to check for leaks. This is particularly important to do prior to tiling for fully tiled in installations

This cistern is not suitable for use with wall hung pans without the use of a suitable supporting frame.

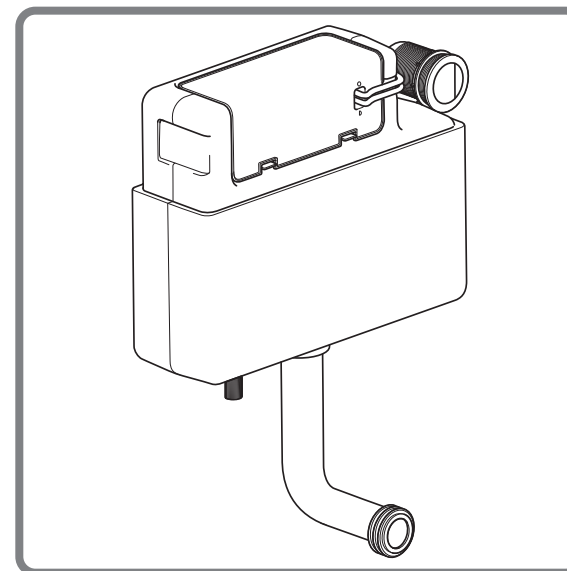
# TAVISTOCK

## VORTEX SLIMLINE CONCEALED CISTERN

### Installation & care instructions

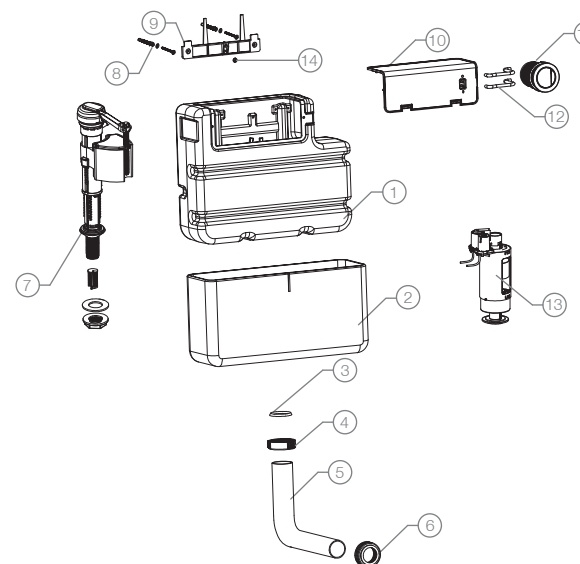
Please retain for future reference

## VOR790



This product must be installed by a qualified fitter or plumber in accordance with and meet the requirements of the Water Supply (Water Fittings) Regulations 1999 and Scottish Byelaws 2004

## PARTS INCLUDED



1. Cistern
2. EPS Jacket
3. Seal
4. Flush Bend Nut
5. Flush Bend
6. Key Seal
7. Bottom Entry Fill Valve
8. 2 x Attaching Screws
9. Attachment Plate
10. Cistern Cover
11. Pneumatic Push-button
12. Air Hoses
13. Flush Valve
14. Cistern Fixing Screw

## Tavistock

A Division of Roper Rhodes Limited

Brassmill Lane Trading Estate, Bath BA1 3JF

tel : 01225 303900

fax : 01225 448877

email : [tavistock@roperrhodes.co.uk](mailto:tavistock@roperrhodes.co.uk)

[www.tavistock-bathrooms.co.uk](http://www.tavistock-bathrooms.co.uk)



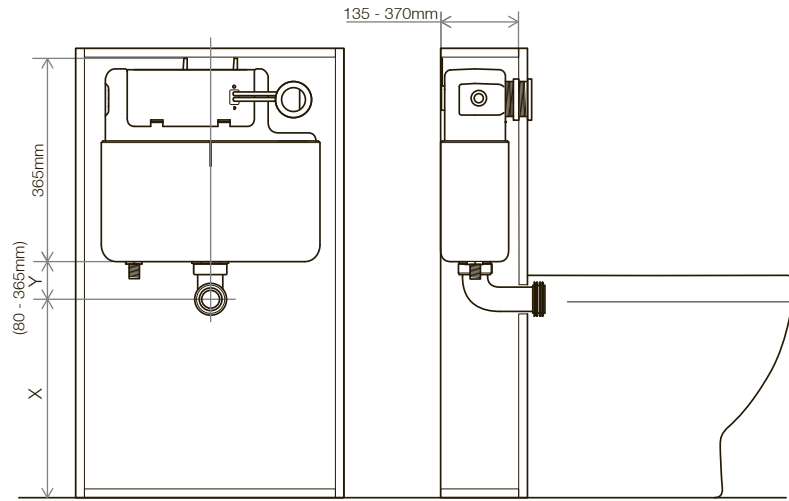
16

VOR790

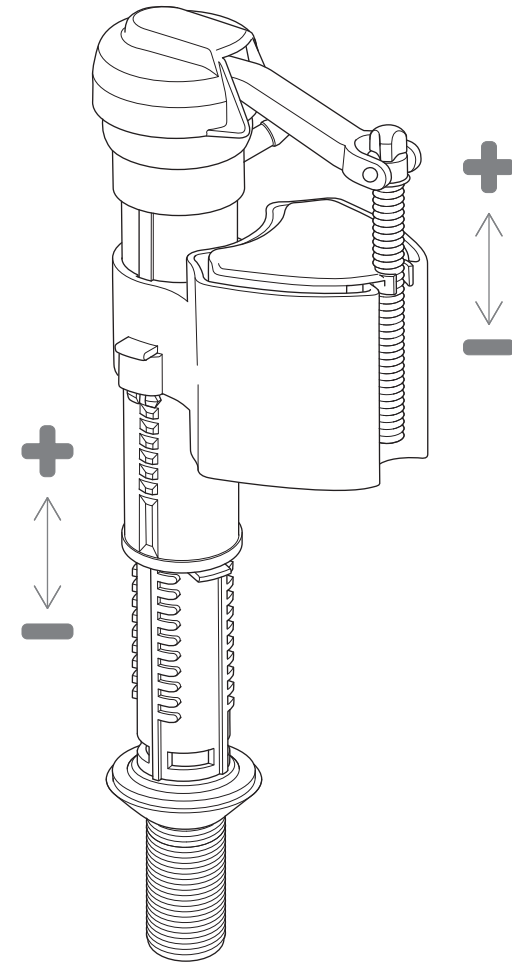
Personal Hygiene

BS EN 14055: 2010 - CL 2 - 6

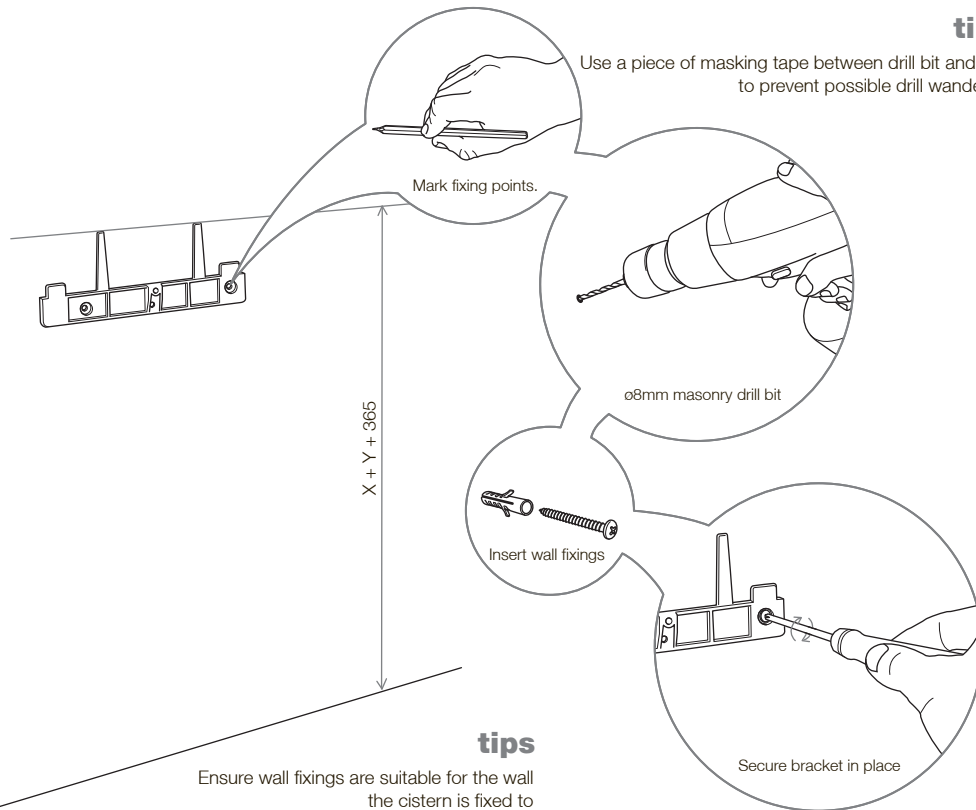
## FITTING DIMENSIONS



## ADJUSTING THE WATER LEVEL

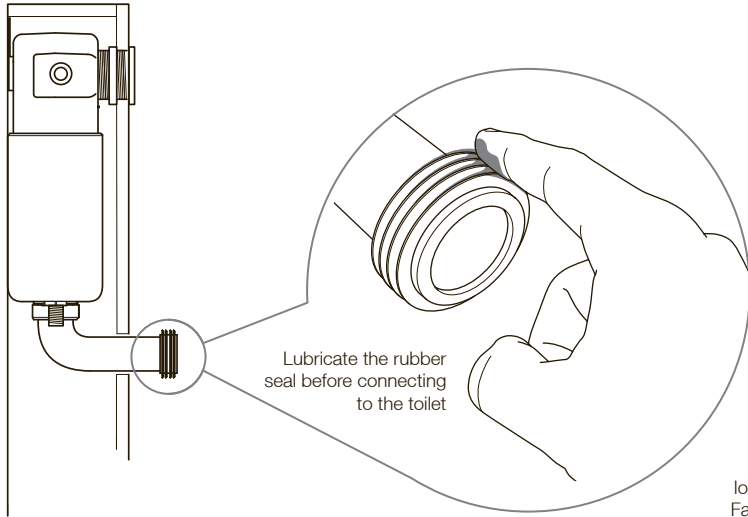


## INSTALLATION OF THE CISTERN



By adjusting the fill valve the water level can either be increased or decreased accordingly

## FIXING THE TOILET

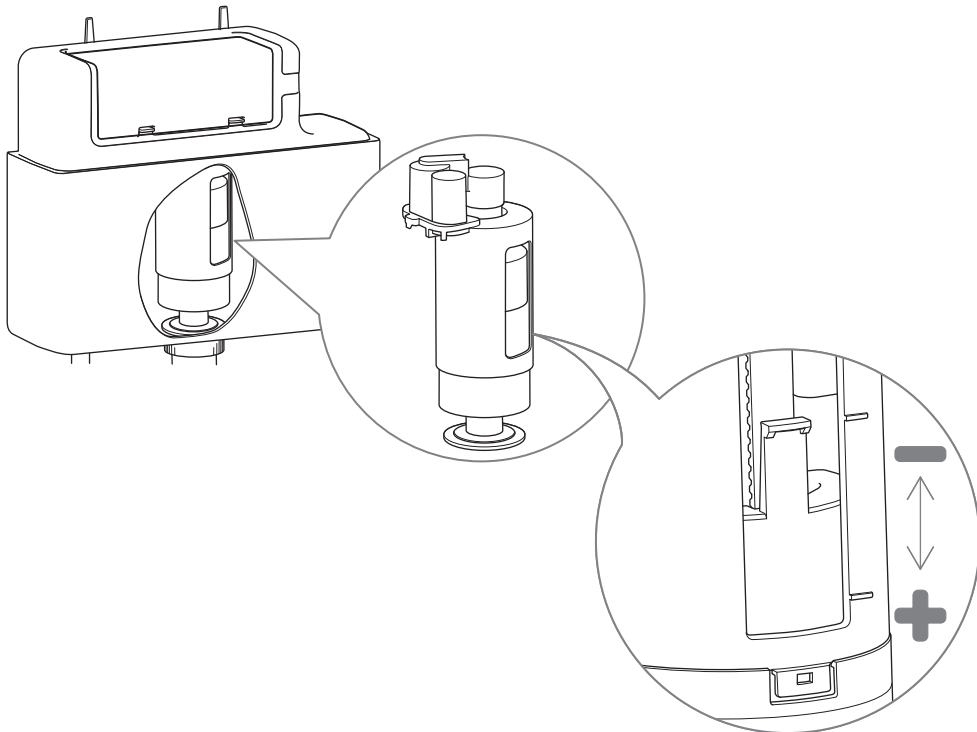


**note**  
Lubricant not supplied.  
Please use a suitable  
plumbers grease.

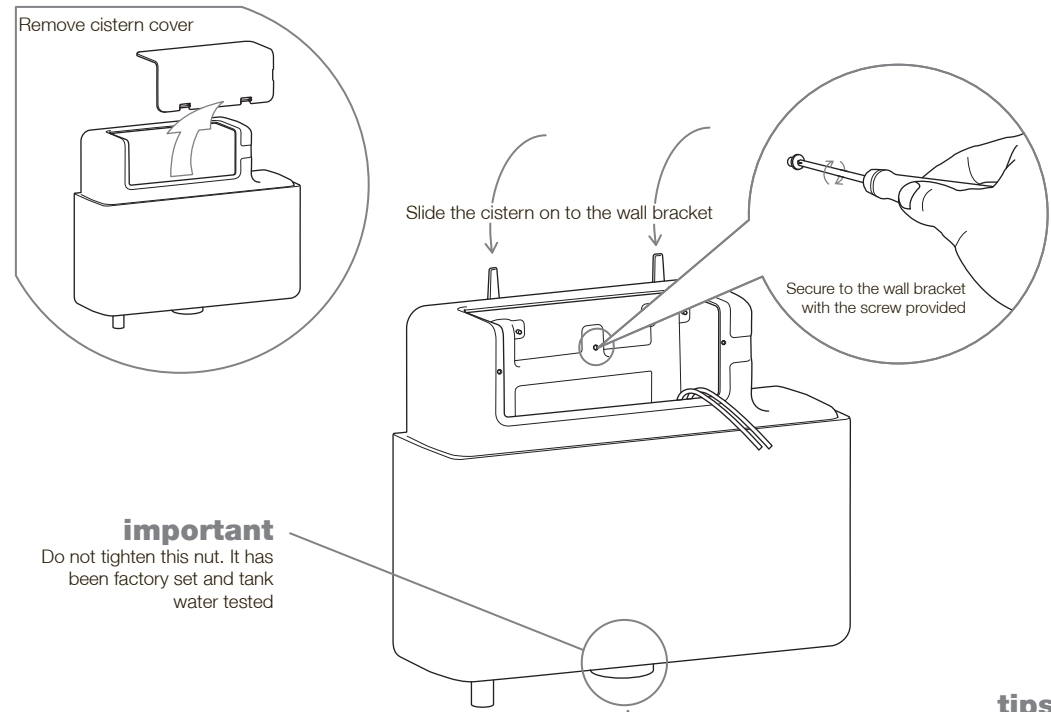
**important**  
Great care must be taken when  
fixing the toilet. Careful cutting  
of the pipe and alignment are  
very important to ensure no  
leaks occur.

**important**  
Please support the flush pipe when  
locating the toilet onto the rubber seal.  
Failure to do so could result in damage  
to the flush connection

## ADJUSTING THE FLUSH VOLUME



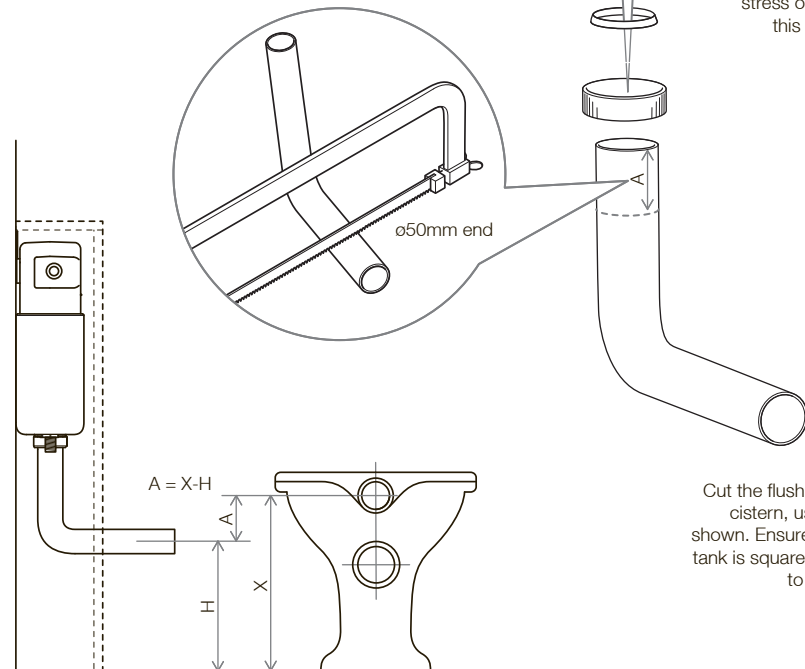
By adjusting the flush valve the flushing volume can be altered



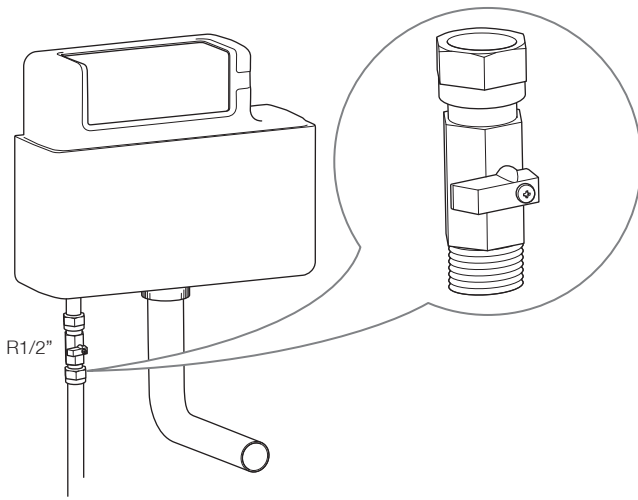
**important**  
Do not tighten this nut. It has  
been factory set and tank  
water tested

### tips

It is recommended that the flush bend be  
adequately braced against the wall using  
an appropriate pipe bracket or wooden  
packing. Ensure there is no tension /  
stress on the connection to the tank as  
this could cause the fittings to leak.



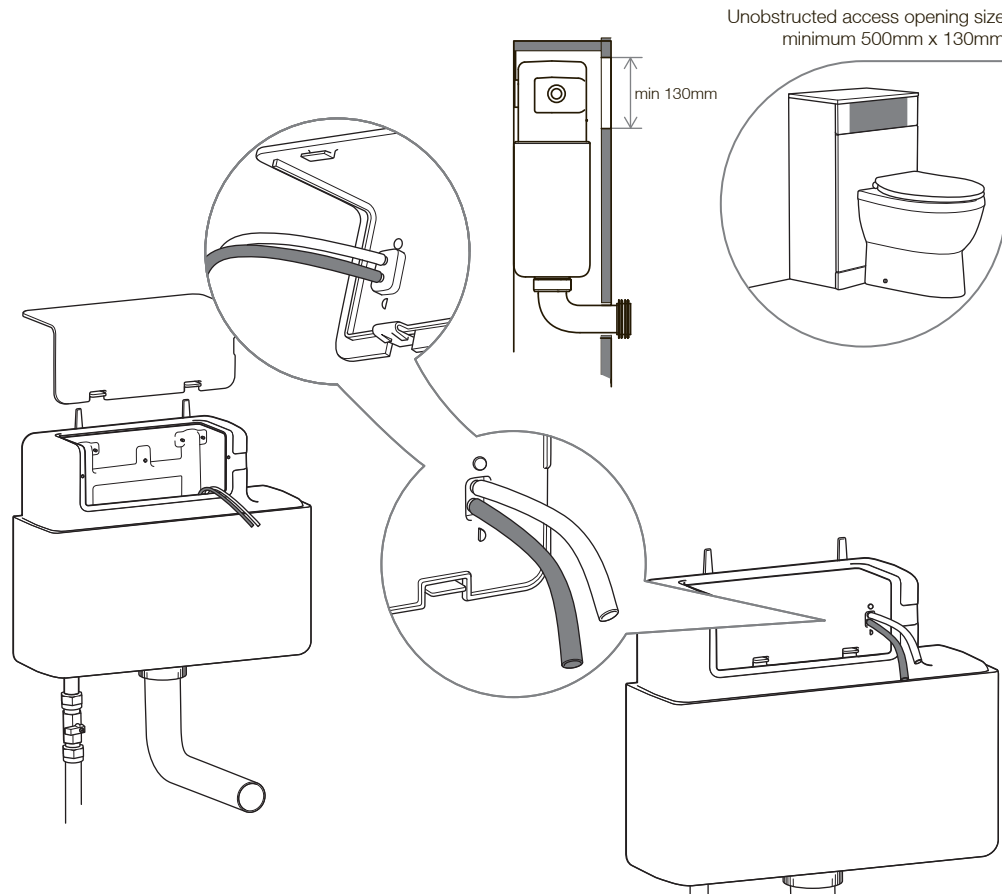
Cut the flush bend to size and attach to the  
cistern, using the appropriate fittings, as  
shown. Ensure alignment to pan from cistern  
tank is square both vertically and horizontally  
to allow seal to function correctly



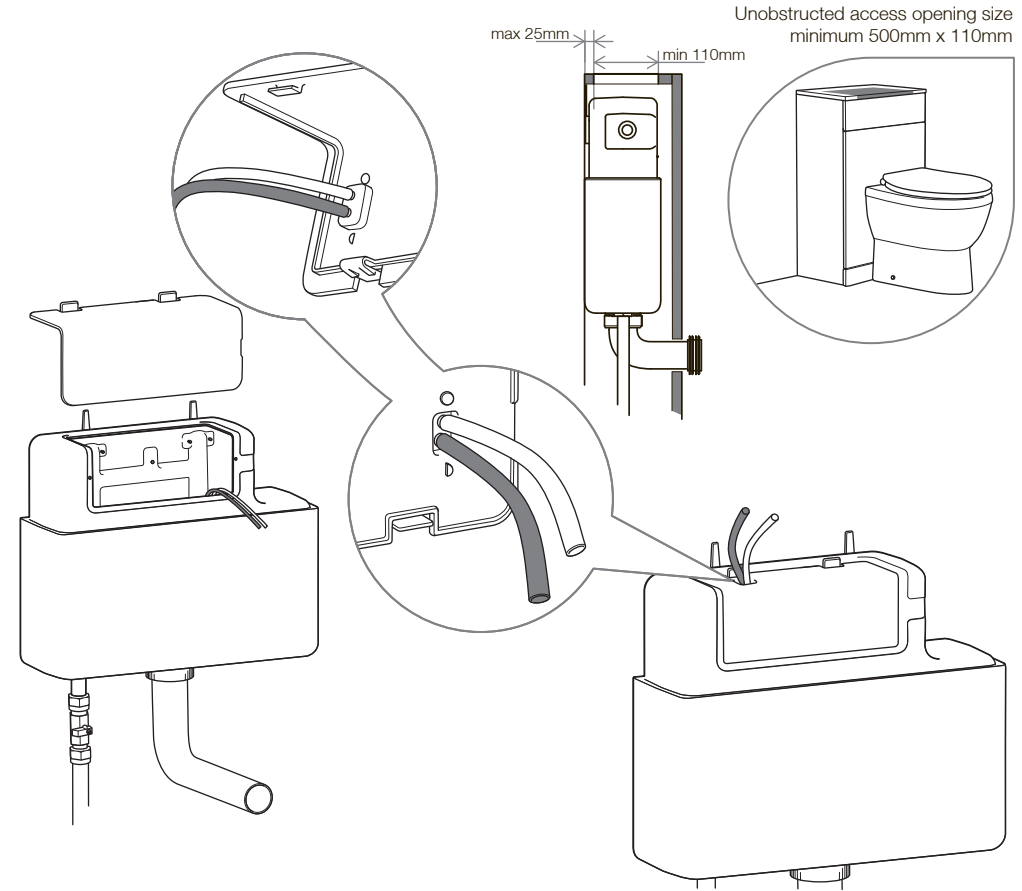
**note**  
 Stop valve not included

Connect the water supply to the cistern using an approved double check valve to fluid category 3 in addition to an accessible service valve.

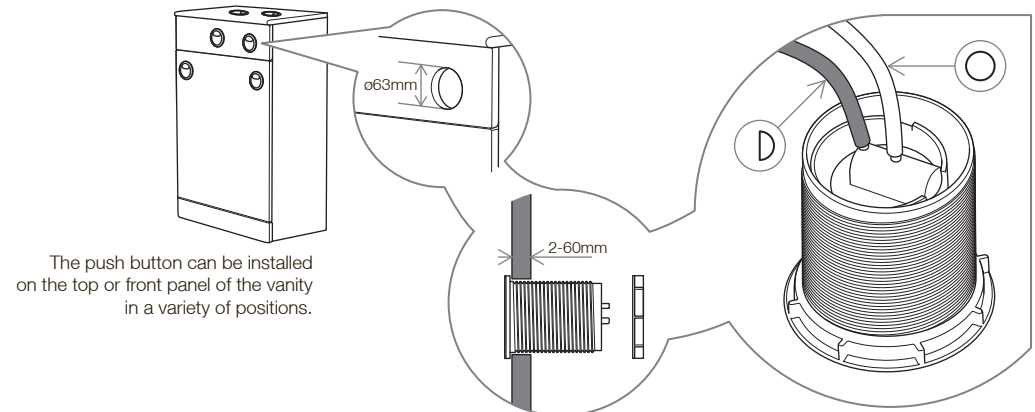
### INSTALLATION WITH A FRONT ACCESS PANEL



### INSTALLATION WITH A TOP ACCESS PANEL



### INSTALLATION OF PNEUMATIC PUSH-BUTTON



The push button can be installed on the top or front panel of the vanity in a variety of positions.