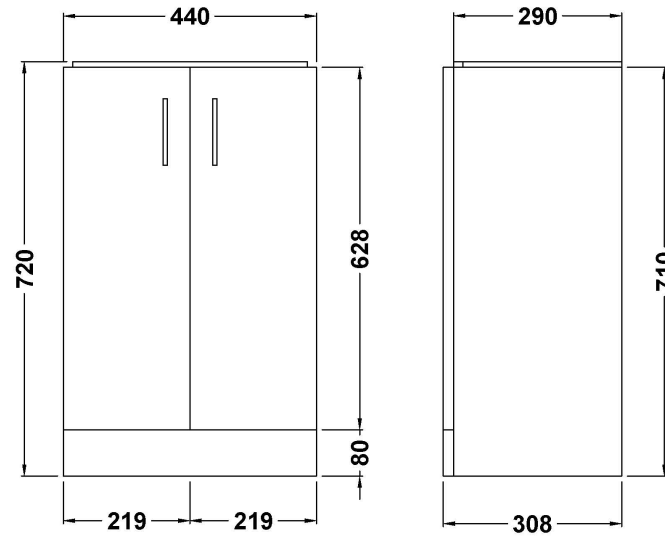


**Sales Code:** VTFW450

**Description:** Checkers White 450 F/S Basin Unit

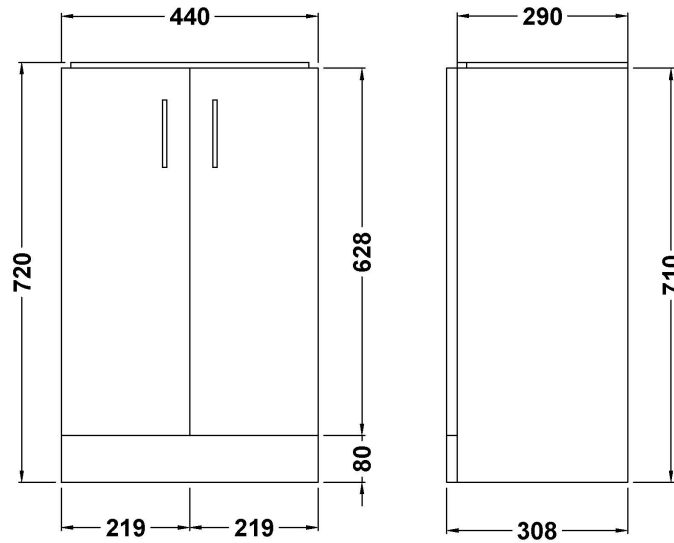
**Packaging Details**

Barcode: 5055369004430



Sales Code: NVX193

Description: Gloss White 450 F/S 2 Door Unit



### Product Dimensions

Height (mm):	720
Width (mm):	440
Depth (mm):	308
Nett Weight (kg):	17.5

### Packaging Dimensions

Height (mm):	745
Width (mm):	335
Depth (mm):	460
Gross Weight (kg):	17.9

### Packaging Data

Box Colour:	Brown Cardboard Box - Printed
Box Qty:	1
Label Size:	100 x 50
Label Colour:	Not Applicable
Label Qty:	0

### Outer Box Dimensions (If Applicable)

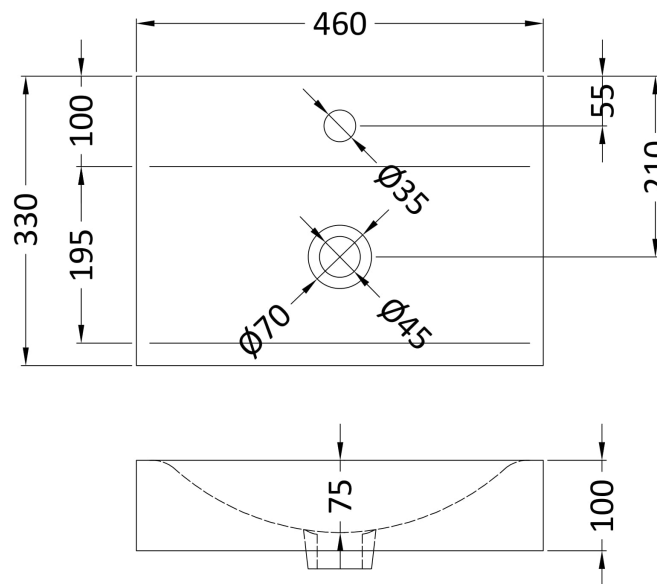
Height (mm):	
Width (mm):	
Depth (mm):	
Gross Weight (kg):	
Barcode:	5055369001903

### Product Details

Country of Origin:	China
Fitting Instruction:	No
CE Certification:	N/A
FSC Certified Materials:	Yes
Colour:	Gloss White
Construction Method:	Cam & Wood Dowel
Construction Type:	Rigid
Cabinet Finish:	MFC Painted Gloss
Fascia Finish:	Mdf Painted Gloss
Cabinet Thickness (mm):	16
Fascia Thickness (mm):	18
Drawer Included:	No
Drawer Type:	Not Applicable
No of Shelves:	1
Hinge Type:	95 Degree Clip-On Soft Close
Hinge Included:	Yes
Adjustable Legs:	No
Fixings Included:	Yes
Handle Style:	Modern
Waste Shroud:	No
Handle Included:	Yes
Handle Type:	D-Shape

Sales Code: NBV002

Description: Cubix / Washstand Vessel



### Product Dimensions

Height (mm):	100
Width (mm):	460
Depth (mm):	330
Nett Weight (kg):	8.7

### Packaging Dimensions

Height (mm):	140
Width (mm):	470
Depth (mm):	340
Gross Weight (kg):	8.9

### Packaging Data

Box Colour:	Brown Cardboard Box - Printed
Box Qty:	1
Label Size:	100 x 50
Label Colour:	White Label
Label Qty:	2

### Outer Box Dimensions (If Applicable)

Height (mm):	
Width (mm):	
Depth (mm):	
Gross Weight (kg):	
Barcode:	5055146194484

### Product Details

Country of Origin:	China
Fitting Instruction:	No
Certification:	CE: No    WRAS: N/A    WRAS No: N/A
Product Material:	Vitreous China
Fixing Supplied:	No

**Pans/Bidets:** Trap Style: Not Applicable    Includes Seat: Not Applicable

**Seats:** Seat Type: Not Applicable    Material: Not Applicable  
 Function: Not Applicable    Hinge Type: Not Applicable  
 Hinge Material: Not Applicable

**Cisterns:** Operating Type: Not Applicable    Fittings: Not Applicable  
 Lever Type: Not Applicable

**Basins:** Tap Hole: One Taphole    Chain Stay Hole: No  
 Template: Not Required    Waste Type Req: Unslotted  
 Overflow Inc: No    Overflow Cover: No  
 Inner Bowl Depth (mm): 80mm