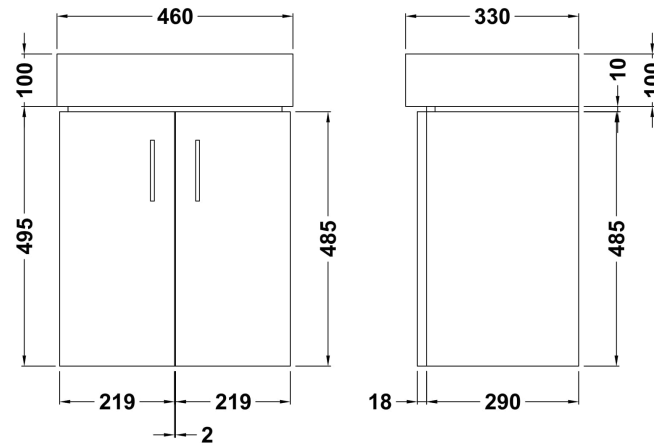


Sales Code: VTWW450

Description: Checkers White 450 W/H Basin Unit

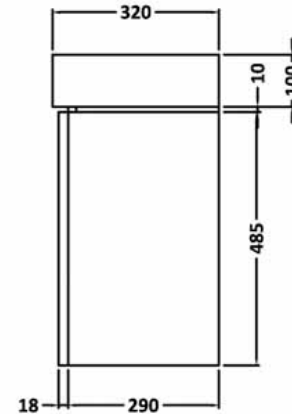
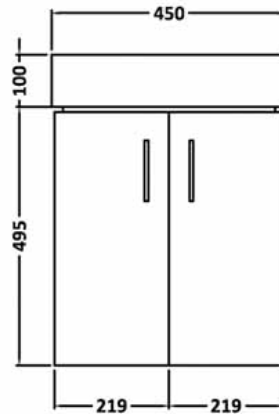


Packaging Details

Barcode: 5055369004416

Sales Code: NVX183

Description: Gloss White 450 W/H 2 Door Unit



Product Dimensions

| | |
|-------------------|-----|
| Height (mm): | 495 |
| Width (mm): | 440 |
| Depth (mm): | 308 |
| Nett Weight (kg): | 12 |

Packaging Dimensions

| | |
|--------------------|------|
| Height (mm): | 520 |
| Width (mm): | 355 |
| Depth (mm): | 455 |
| Gross Weight (kg): | 12.3 |

Packaging Data

| | |
|---------------|-------------------------------|
| Box Colour: | Brown Cardboard Box - Printed |
| Box Qty: | 1 |
| Label Size: | 100 x 50 |
| Label Colour: | Not Applicable |
| Label Qty: | 0 |

Outer Box Dimensions (If Applicable)

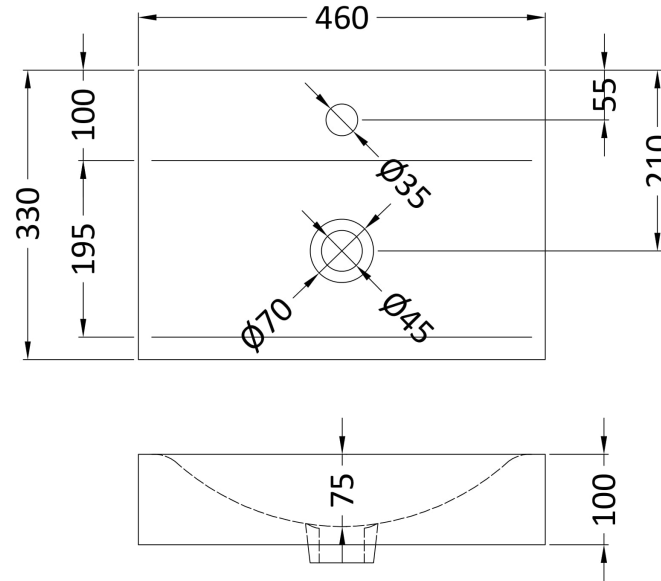
| | |
|--------------------|---------------|
| Height (mm): | |
| Width (mm): | |
| Depth (mm): | |
| Gross Weight (kg): | |
| Barcode: | 5055369001941 |

Product Details

| | |
|--------------------------|------------------------------|
| Country of Origin: | China |
| Fitting Instruction: | No |
| CE Certification: | N/A |
| FSC Certified Materials: | Yes |
| Colour: | Gloss White |
| Construction Method: | Cam & Wood Dowel |
| Construction Type: | Rigid |
| Cabinet Finish: | MFC Painted Gloss |
| Fascia Finish: | Mdf Painted Gloss |
| Cabinet Thickness (mm): | 16 |
| Fascia Thickness (mm): | 18 |
| Drawer Included: | No |
| Drawer Type: | Not Applicable |
| No of Shelves: | 0 |
| Hinge Type: | 95 Degree Clip-On Soft Close |
| Hinge Included: | Yes |
| Adjustable Legs: | No |
| Fixings Included: | Yes |
| Handle Style: | Modern |
| Waste Shroud: | No |
| Handle Included: | Yes |
| Handle Type: | D-Shape |

Sales Code: NBV002

Description: Cubix / Washstand Vessel



Product Dimensions

| | |
|-------------------|-----|
| Height (mm): | 100 |
| Width (mm): | 460 |
| Depth (mm): | 330 |
| Nett Weight (kg): | 8.7 |

Packaging Dimensions

| | |
|--------------------|-----|
| Height (mm): | 140 |
| Width (mm): | 470 |
| Depth (mm): | 340 |
| Gross Weight (kg): | 8.9 |

Packaging Data

| | |
|---------------|-------------------------------|
| Box Colour: | Brown Cardboard Box - Printed |
| Box Qty: | 1 |
| Label Size: | 100 x 50 |
| Label Colour: | White Label |
| Label Qty: | 2 |

Outer Box Dimensions (If Applicable)

| | |
|--------------------|---------------|
| Height (mm): | |
| Width (mm): | |
| Depth (mm): | |
| Gross Weight (kg): | |
| Barcode: | 5055146194484 |

Product Details

| | |
|----------------------|-------------------------------------|
| Country of Origin: | China |
| Fitting Instruction: | No |
| Certification: | CE: No WRAS: N/A WRAS No: N/A |
| Product Material: | Vitreous China |
| Fixing Supplied: | No |

Pans/Bidets: Trap Style: Not Applicable Includes Seat: Not Applicable

Seats: Seat Type: Not Applicable Material: Not Applicable
 Function: Not Applicable Hinge Type: Not Applicable
 Hinge Material: Not Applicable

Cisterns: Operating Type: Not Applicable Fittings: Not Applicable
 Lever Type: Not Applicable

Basins: Tap Hole: One Taphole Chain Stay Hole: No
 Template: Not Required Waste Type Req: Unslotted
 Overflow Inc: No Overflow Cover: No
 Inner Bowl Depth (mm): 80mm