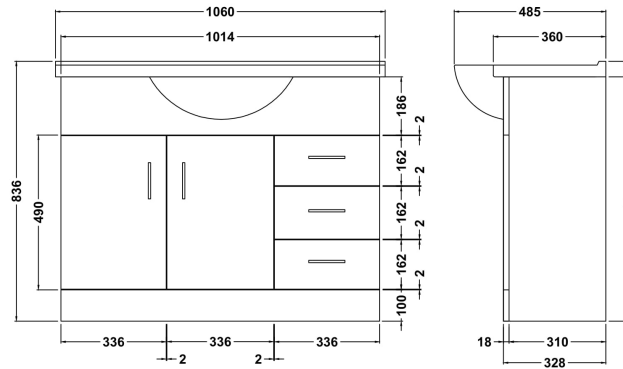


Sales Code: VTY1050

Description: High Gloss White 1050 Basin Unit

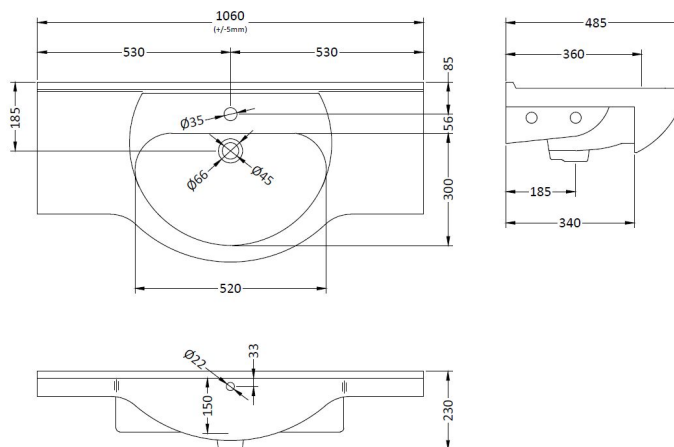


### Packaging Details

Barcode: 5055146168645

Sales Code: NBC006

Description: Classic 1050mm 1T/H Basin



### Product Dimensions

Height (mm):	485
Width (mm):	1060
Depth (mm):	230
Nett Weight (kg):	30

### Packaging Dimensions

Height (mm):	510
Width (mm):	1060
Depth (mm):	240
Gross Weight (kg):	30.68

### Packaging Data

Box Colour:	Brown Cardboard Box - Printed
Box Qty:	1
Label Size:	100 x 50
Label Colour:	Not Applicable
Label Qty:	0

### Outer Box Dimensions (If Applicable)

Height (mm):	
Width (mm):	
Depth (mm):	
Gross Weight (kg):	
Barcode:	5055146172925

### Product Details

Country of Origin:	China
Fitting Instruction:	No
Certification:	CE: No    WRAS: N/A    WRAS No: N/A
Product Material:	Vitreous China
Fixing Supplied:	No

**Pans/Bidets:** Trap Style: Not Applicable    Includes Seat: Not Applicable

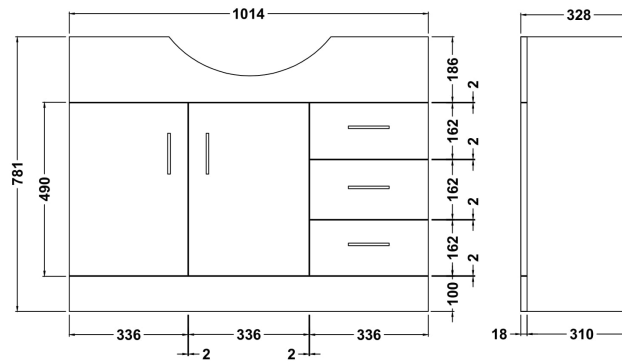
**Seats:** Seat Type: Not Applicable    Material: Not Applicable  
Function: Not Applicable    Hinge Type: Not Applicable  
Hinge Material: Not Applicable

**Cisterns:** Operating Type: Not Applicable    Fittings: Not Applicable  
Lever Type: Not Applicable

**Basins:** Tap Hole: One Taphole    Chain Stay Hole: No  
Template: Not Required    Waste Type Req: Slotted  
Overflow Inc: Yes    Overflow Cover: Yes  
Inner Bowl Depth (mm): 145mm

Sales Code: PRC106

Description: 1050 Pr Std Basin Unit



### Product Dimensions

Height (mm):	781
Width (mm):	1014
Depth (mm):	328
Nett Weight (kg):	36

### Packaging Dimensions

Height (mm):	355
Width (mm):	1040
Depth (mm):	815
Gross Weight (kg):	36

### Packaging Data

Box Colour:	Brown Cardboard Box - Printed
Box Qty:	1
Label Size:	100 x 50
Label Colour:	Not Applicable
Label Qty:	0

### Outer Box Dimensions (If Applicable)

Height (mm):	
Width (mm):	
Depth (mm):	
Gross Weight (kg):	
Barcode:	5055369079896

### Product Details

Country of Origin:	China
Fitting Instruction:	No
CE Certification:	N/A
FSC Certified Materials:	Yes
Colour:	Gloss White
Construction Method:	Cam & Wood Dowel
Construction Type:	Rigid
Cabinet Finish:	MFC Painted Gloss
Fascia Finish:	Mdf Painted Gloss
Cabinet Thickness (mm):	16
Fascia Thickness (mm):	18
Drawer Included:	Yes
Drawer Type:	16mm MFC Non-Softclose
No of Shelves:	1
Hinge Type:	95 Degree Clip-On Soft Close
Hinge Included:	Yes
Adjustable Legs:	No
Fixings Included:	No
Handle Style:	Modern
Waste Shroud:	No
Handle Included:	Yes
Handle Type:	D-Shape