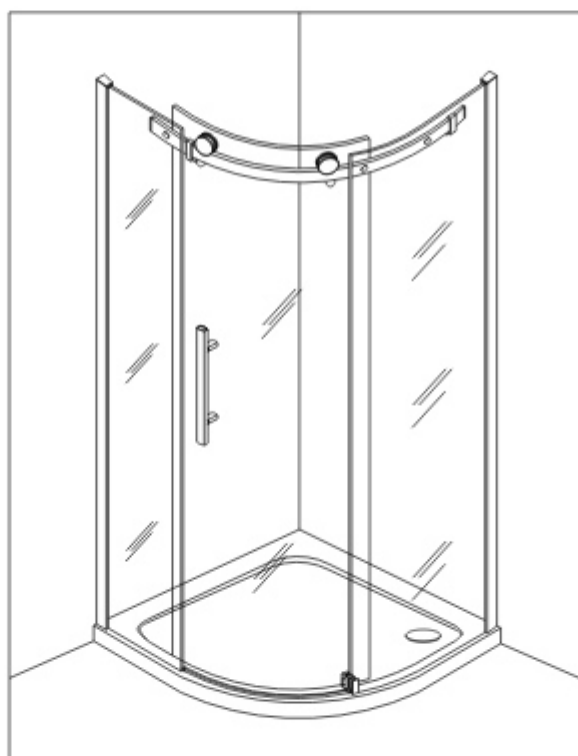


# INSTALLATION MANUAL

## VANGUARD QUAD

Eastbrook Code	Adjustment
58.256	775-793
58.257	875-893
58.258	975-993

This product should only be fitted by a fully qualified installer.



\*This product must be unpacked and checked for quality prior to installation.

\*Any missing parts or damage must be reported to your supplier within 10 days of purchase and before installation.

No claims can be enforced outside of these terms.

## TOOLS REQUIRED



Pencil



(@6 @3. 2) bit drill



Silicone gun



Flat and cross  
screwdriver



Tap measure



Level ruler



Drill machine



Spanner



Rubber hammer



Torque wrench

## PACKING LIST



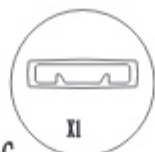
A

X2



B

X2



C

X1



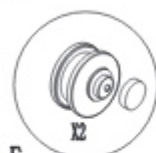
D

X1



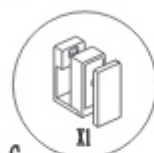
E

X1



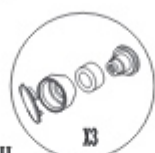
F

X2



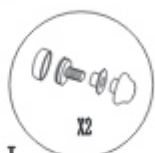
G

X1



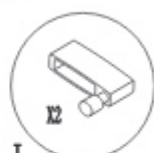
H

X3



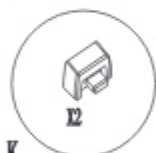
I

X2



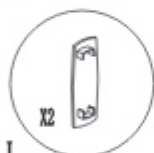
J

X2



K

X2



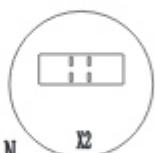
L

X2



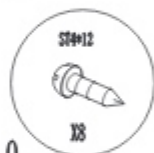
M

X2



N

X2



O

ST#12

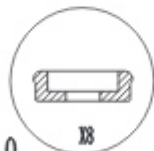
X8



P

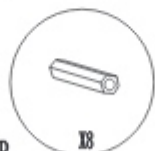
ST4\*30

X8



Q

X8



R

X8



S

Short

X1



T

Long

X1



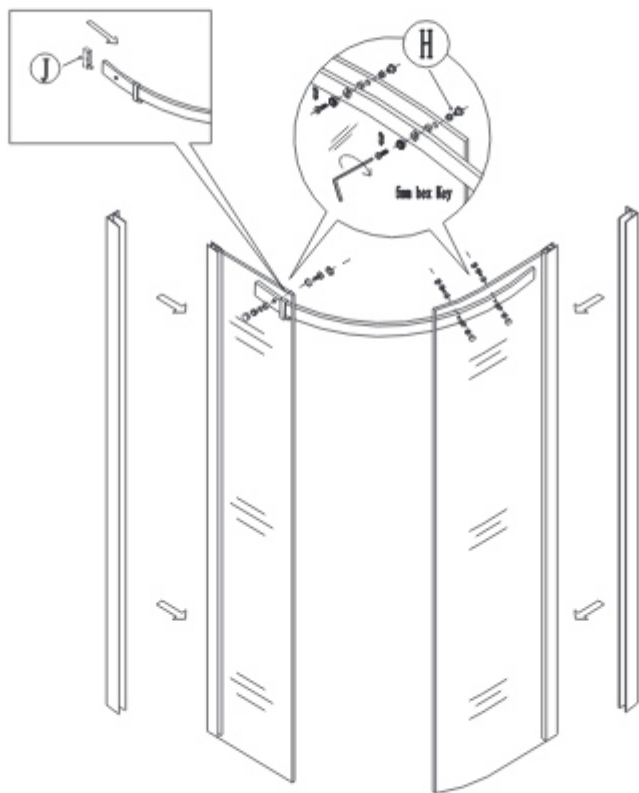
No silicone is required during the installation until the enclosure is fully fitted.

1



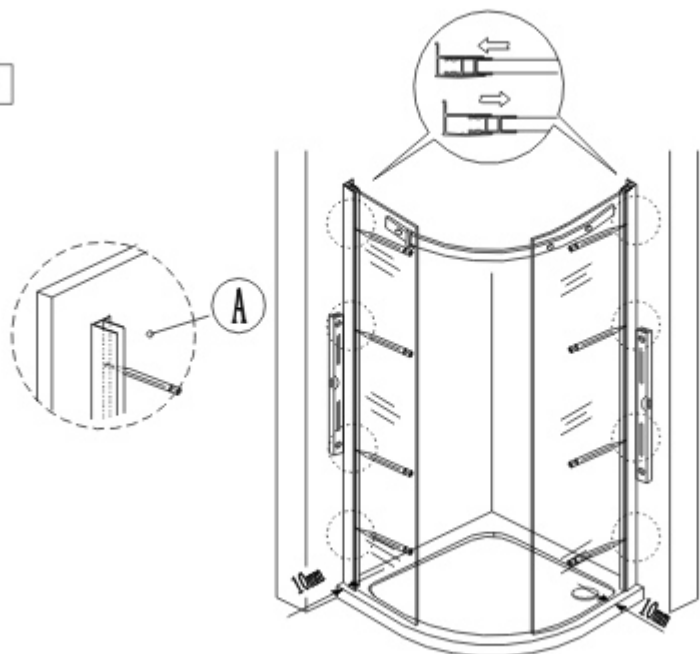
A 100% level tray and walls are crucial for the easy installation of a Vanguard Quad.

2

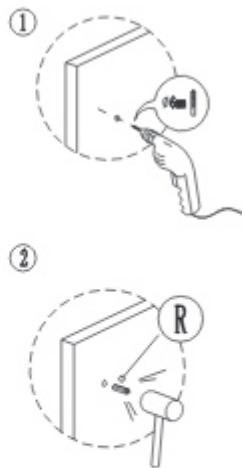
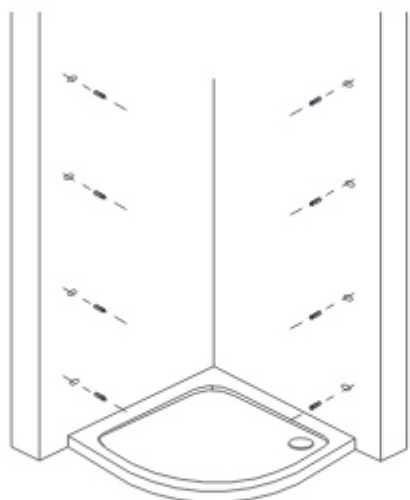


Place door stops **J** loosely onto bar **C** and connect both fixed glass panels to top support bar **C** with bolts **H** x3 and push wall profiles **A** loosely on verticals.

(3)

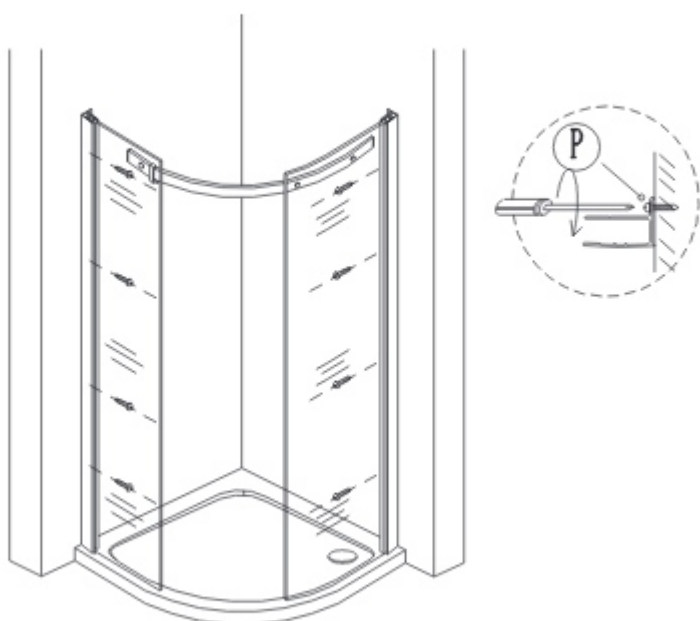
**3**

Lift connected panels and wall profiles onto tray for best fit – push wall profiles into correct position and mark wall for fixing holes.

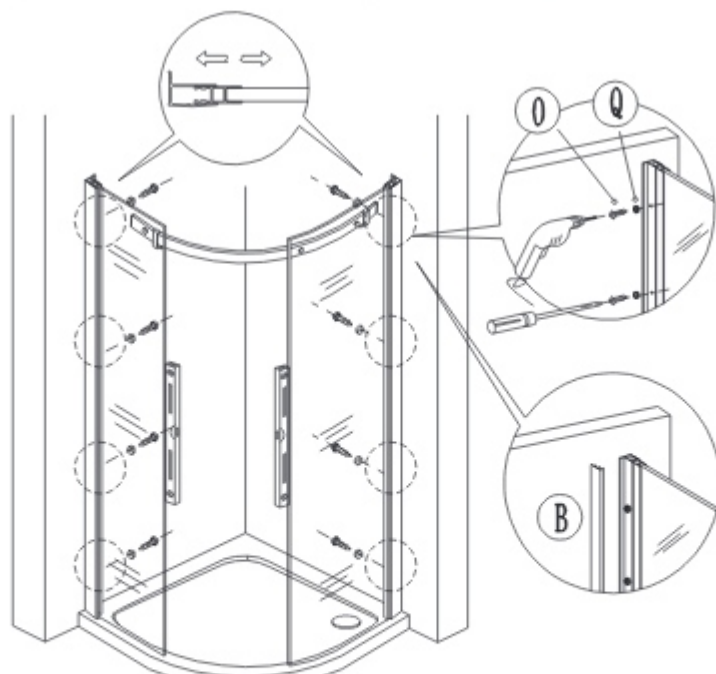
**4**

Drill wall with 6mm $\varnothing$  bit and fit plugs (R) into holes if fitting onto a solid wall. For hollow walls substitute (R) with an alternative appropriate fixing (not supplied).

**(4)**

**5**

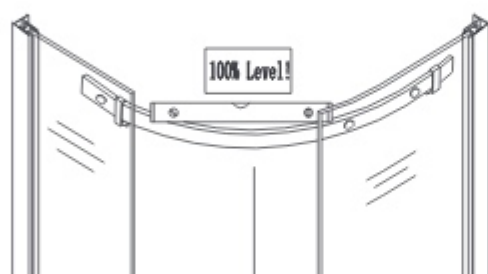
Lift connected panels and wall profiles back onto tray and secure profiles (A) to wall with screws (P).

**6**

Centralise enclosure between wall profiles, ensuring all levels are 100% and then secure in correct position by drilling a guide hole with 3.2mmØ bit and secure with screws (O) and washers (Q). Screw cover profile (B) can now be fitted by clipping onto the wall profiles.

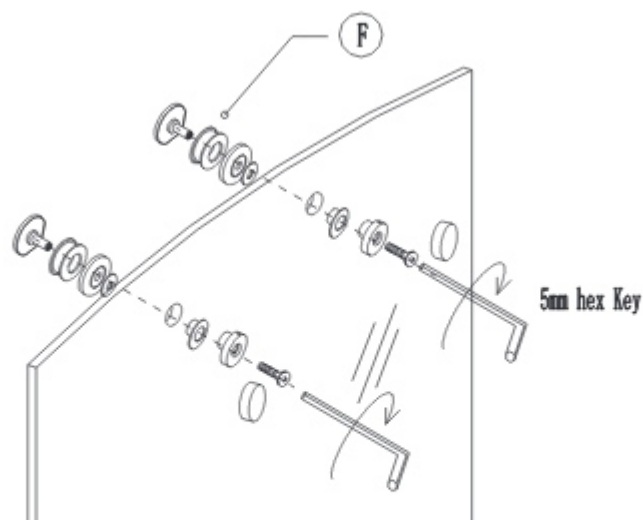
**(5)**

7



Check top bar is 100% level and it is parallel to the glass panels. Checking the tightness of fixings ④ can be done with a torque wrench – fixings should be tightened to 10Nm.

8

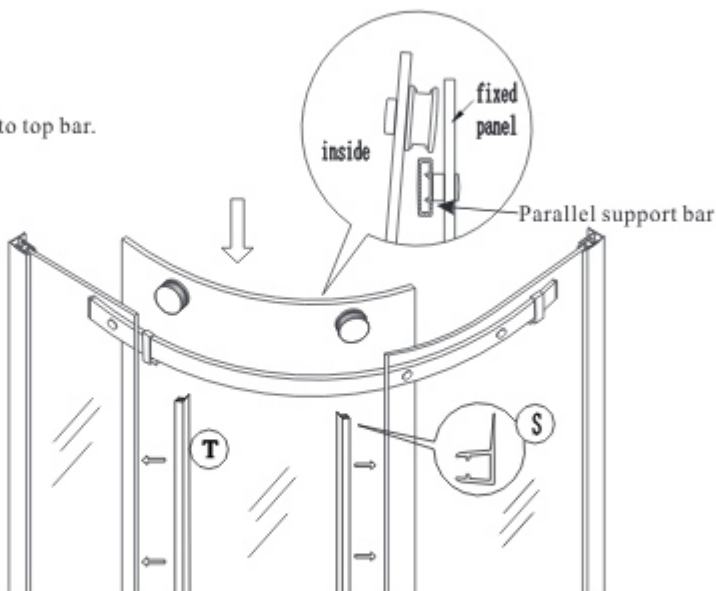
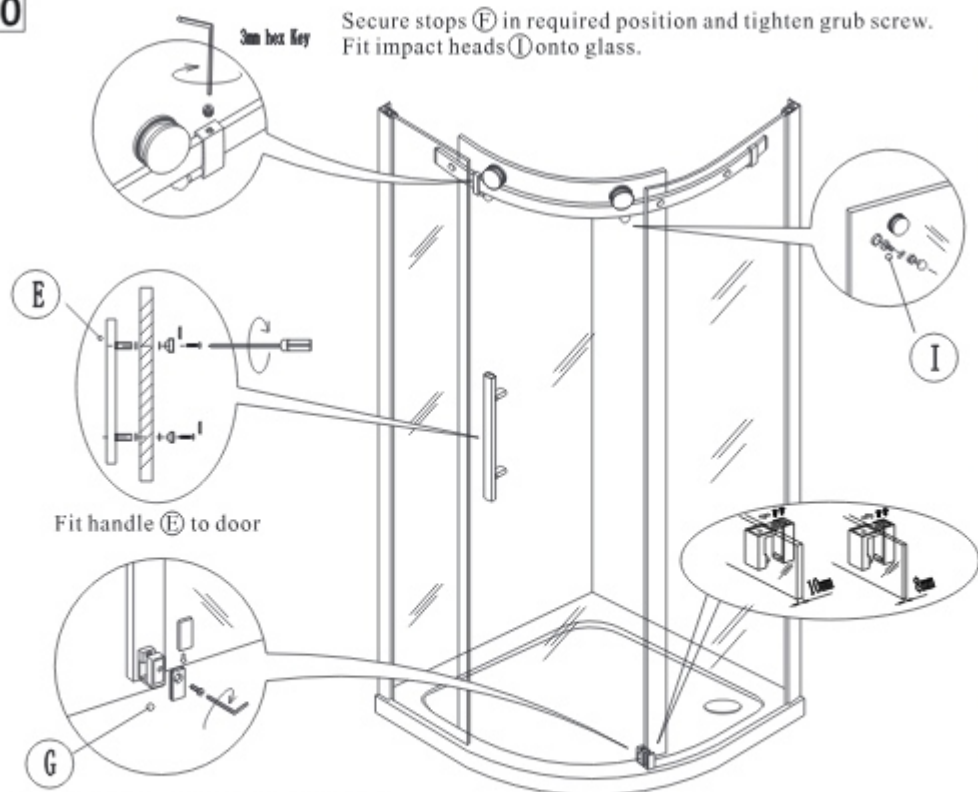


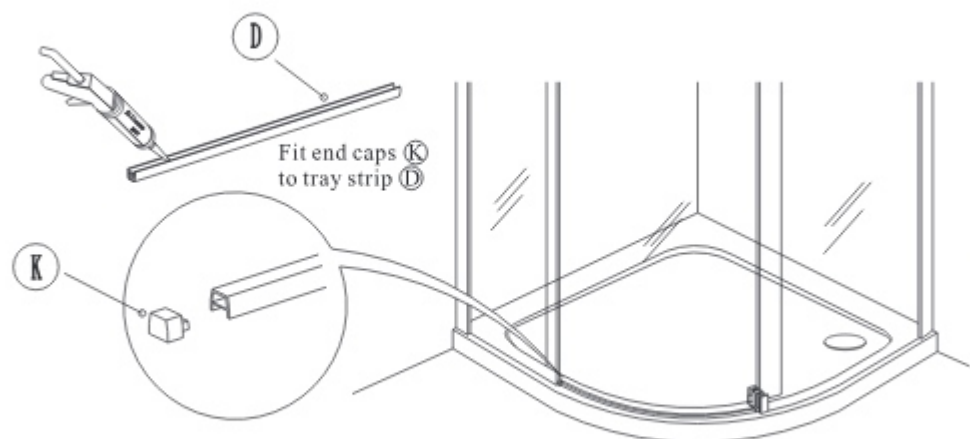
Attach top rollers ⑤ to glass door and tighten.

(6)

**9**

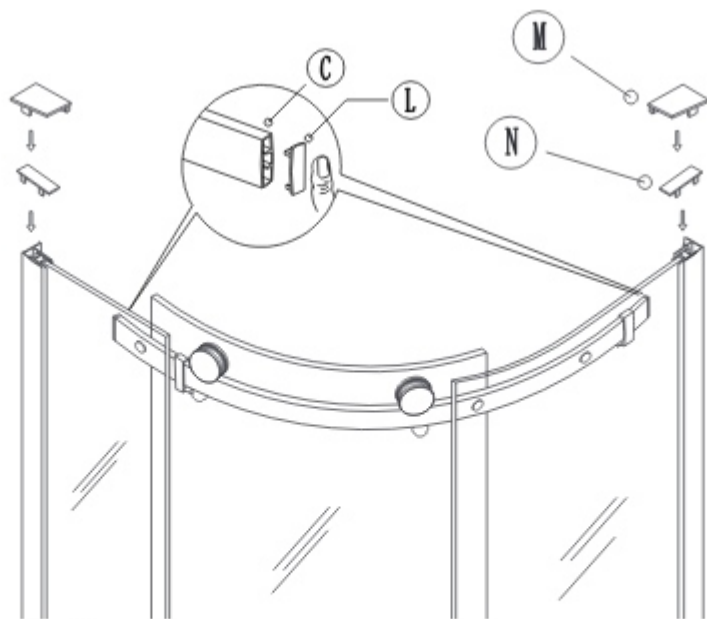
Lift door onto top bar.

**10**Secure stops **E** in required position and tighten grub screw. Fit impact heads **I** onto glass.Fit handle **E** to doorFit door guide **G** onto bottom of door as shown checking adjustment as you go. **(7)**

**11**

Fit end caps (K)  
to tray strip (D)

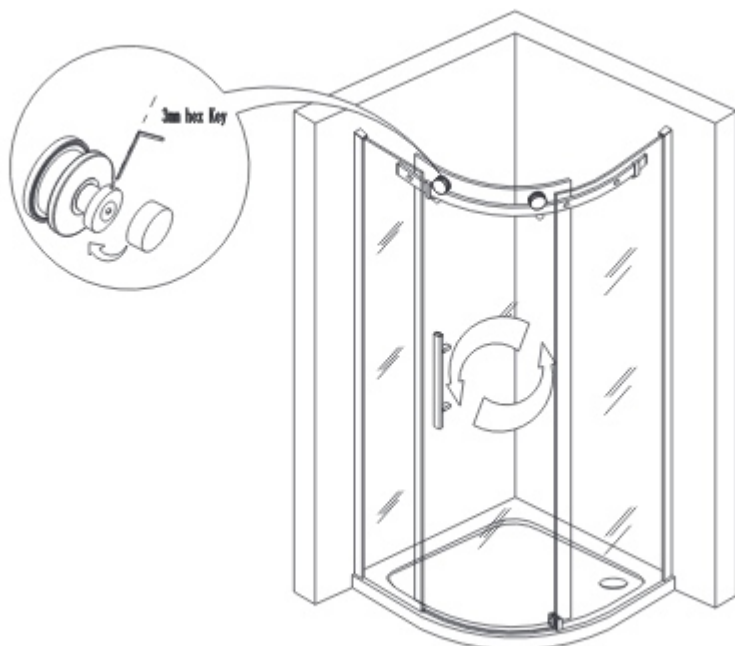
Fit chrome tray strip (D) out the outside of the glass door between the bottom guide (G) and fixed glass panel as shown above.

**12**

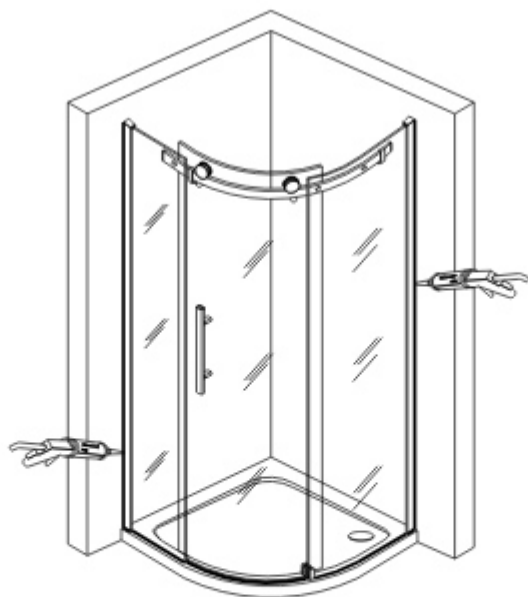
Fit end cap (L) to top bar (C)

Fit profile cover cap (N) on top of each wall profile – once fitted place cap (M) over the top and secure.

**(8)**

**13**

Top rollers (F) can be adjusted to lift or lower the door.

**14**

Once installation is completed, silicone down the outside of both wall profiles, along the fixed glass and chrome tray strip. All silicone should be on the outside of the enclosure only.

**(9)**

# Eastbrook

**Eastbrook Road, Gloucester GL4 3DB**

**Technical Helpline: 01452 317890**

**Email: [technical@eastbrookco.com](mailto:technical@eastbrookco.com)**

## **Cleaning and Maintenance of Shower Enclosures**

**Do not clean the shower enclosure with irritant detergents such as alcohol, bleach or other chemical cleaners.**

**Only clean with mild soapy water or a proprietary cleaner where the label advises it is suitable for the materials the enclosure is constructed from. Test on a small area first.**

**For treating limescale we would recommend distilled vinegar in a half and half solution with water.**

**Following installation should you find that there is a notable noise when the glass door moves you may add a small amount of silicon lubricant onto the roller wheels and tracks, hinges or clips.**

**It is the responsibility of the product owner to maintain the product as recommended above. Also, to check for parts which have broken or become loose to protect against failure of the enclosure.**