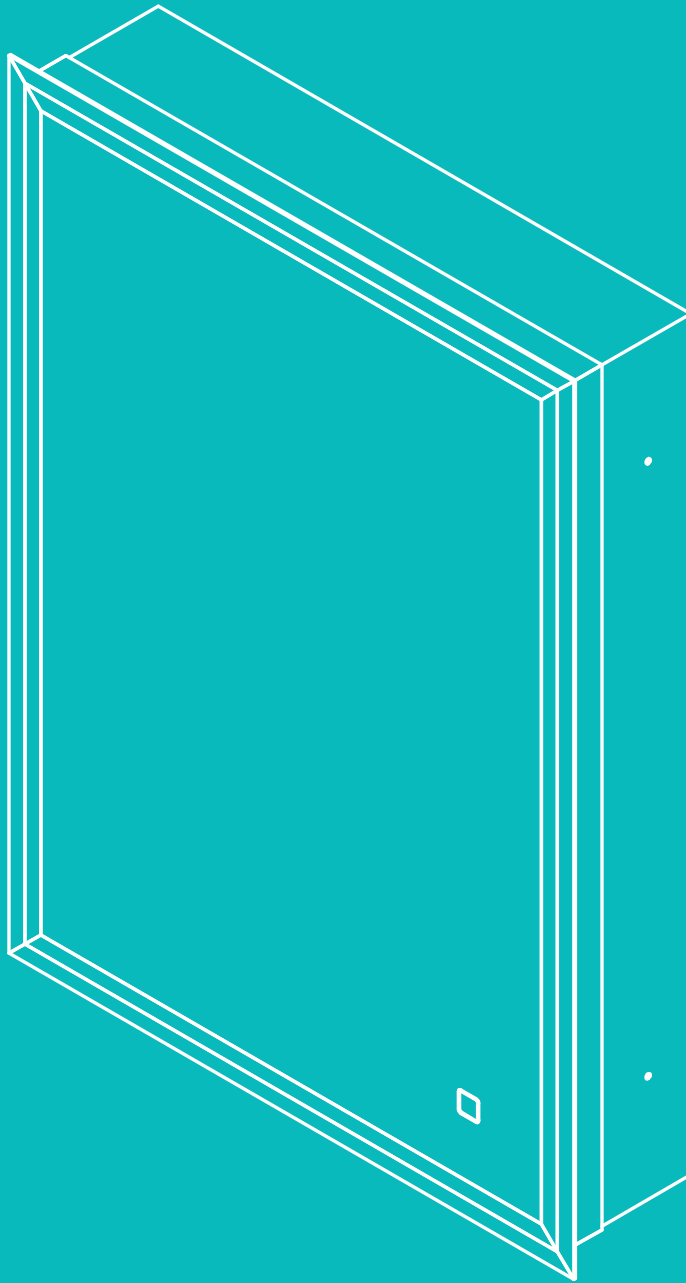


HiB

MAKING
BATHROOMS
BEAUTIFUL

Technical Drawing & FAQ Data Sheets

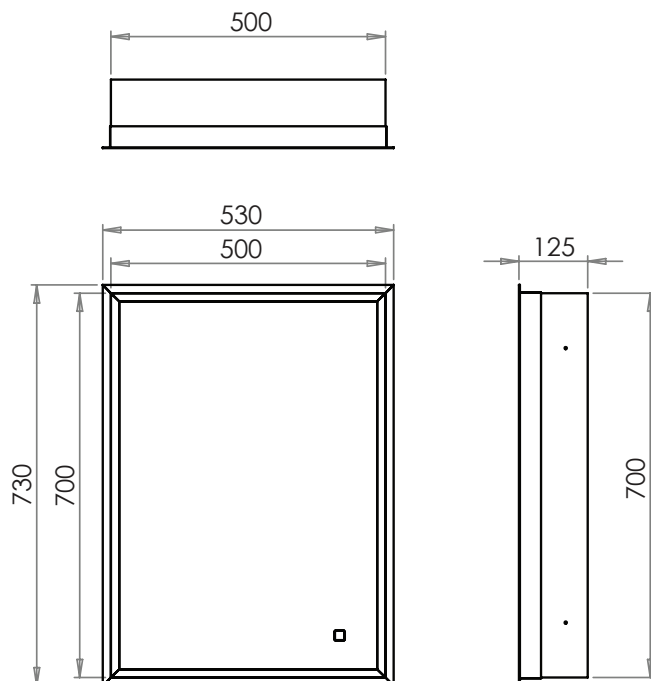


Vanquish 50
Vanquish 60
Vanquish 80
Vanquish 120

HiB recommend you receive the product before commencing with installation as all sizes and measurements are approximate.
HiB try and ensure all measurements are as accurate as possible.
In the interest of continuous product development, HiB reserves the right to alter specification as necessary. E & OE.

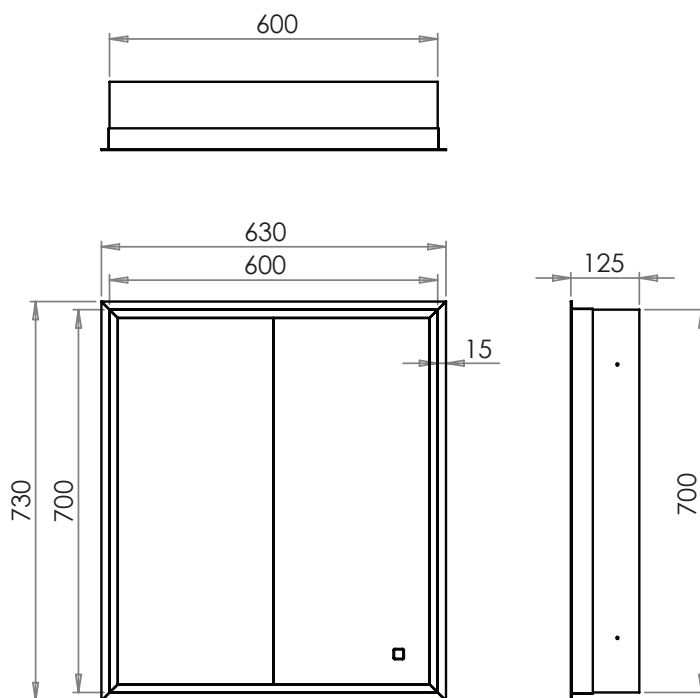
Vanquish 50

Art no. 47600



Vanquish 60

Art no. 47700



Electrical Safety Information

HiB recommends that all electrical bathroom products should only be fitted by a suitably qualified, Part P registered electrician in accordance with current IEE regulations.

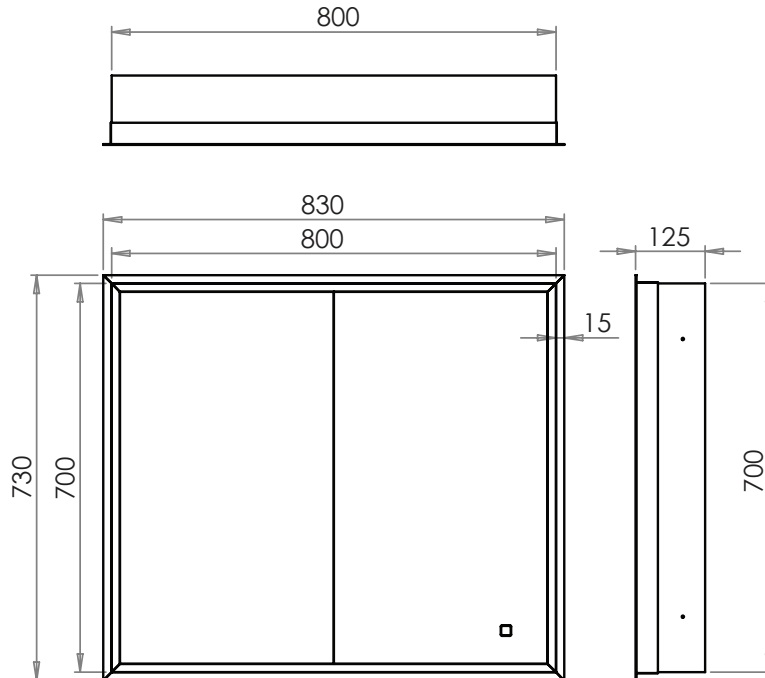
Ensure mains power supply is switched off before starting installation.

Before drilling, ensure there are no hidden cables or pipes in the wall.

HiB recommend you receive the product before commencing with installation as all sizes and measurements are approximate.
 HiB try and ensure all measurements are as accurate as possible.
 In the interest of continuous product development, HiB reserves the right to alter specification as necessary. E & OE.

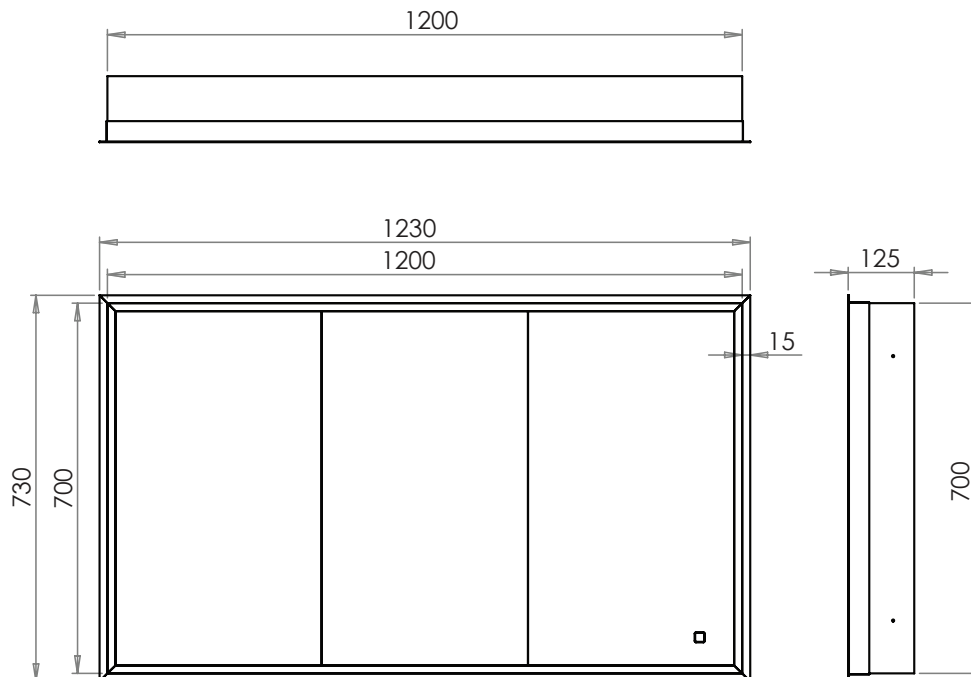
Vanquish 80

Art no. 47800



Vanquish 120

Art no. 47900



Electrical Safety Information

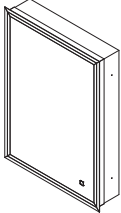
HiB recommends that all electrical bathroom products should only be fitted by a suitably qualified, Part P registered electrician in accordance with current IEE regulations.

Ensure mains power supply is switched off before starting installation.

Before drilling, ensure there are no hidden cables or pipes in the wall.

Vanquish

50, 60, 80 & 120

		Version No. 20.02.20
	Product	Vanquish 50, Vanquish 60, Vanquish 80 & Vanquish 120
	Art. No.	Vanquish 50: 47600, Vanquish 60: 47700, Vanquish 80: 47800 & Vanquish 120: 47900
	Product Description	Single/double/triple door LED demisting, recessed cabinet with soft close double sided mirror doors, shaver socket and temperature colour change.

Question	Answer
Nett weight (kg)	Vanquish 50: 12kg / Vanquish 60: 15kg / Vanquish 80: 20.5kg / Vanquish 120: 31.5kg
Light Source	LED
Light Source Average Lifespan	Average: 20,000 hr
Total Rated Wattage (W)	Vanquish 50: 20.96W / Vanquish 60: 30.04W / Vanquish 80: 32.38W / Vanquish 120: 45.06W
Lumens (Lm)	Vanquish 50: 2304lm / Vanquish 60: 2496lm / Vanquish 80: 2912lm / Vanquish 120: 3744lm
Kelvins (k)	Vanquish 50, 60, 80 & 120: 2800k - 6400k
Is the cabinet dimmable?	No
Energy Rating	Class A++
Is the heated pad only on when the cabinet is illuminated?	Yes
Does the cabinet require an earth connection?	Yes
Can I bypass the sensor so the cabinet comes on with the main room light?	No
Is it cool white or warm white illumination?	Cool to Warm
What IP rating is the cabinet?	All Vanquish cabinets are IP44 rated
How long is the warranty?	5 years from date of purchase on silvering coating on mirror 2 years from date of purchase on electrical components in the mirror

Electrical Safety Information

HiB recommends that all electrical bathroom products should only be fitted by a suitably qualified, Part P registered electrician in accordance with current IEE regulations.

Ensure mains power supply is switched off before starting installation.

Before drilling, ensure there are no hidden cables or pipes in the wall.

HiB recommend you receive the product before commencing with installation as all sizes and measurements are approximate.

HiB try and ensure all measurements are as accurate as possible.

In the interest of continuous product development, HiB reserves the right to alter specification as necessary. E & OE.