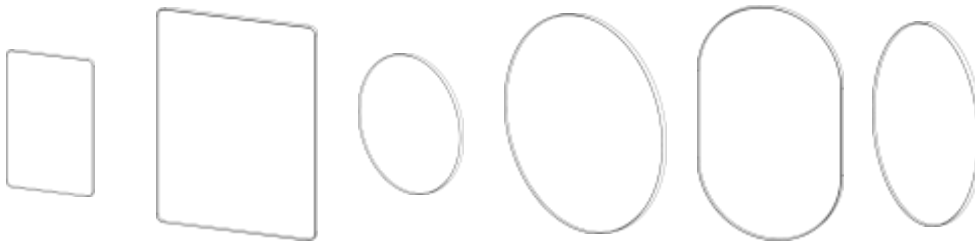


Non-Illuminated Mirror



Box Contents:

Non-Illuminated Mirror – Instructions booklet | 4x wall plugs | 4x screws | Hole Template

Materials

Frame Material: Extruded Aluminium

Glass: 5mm PVC Backed

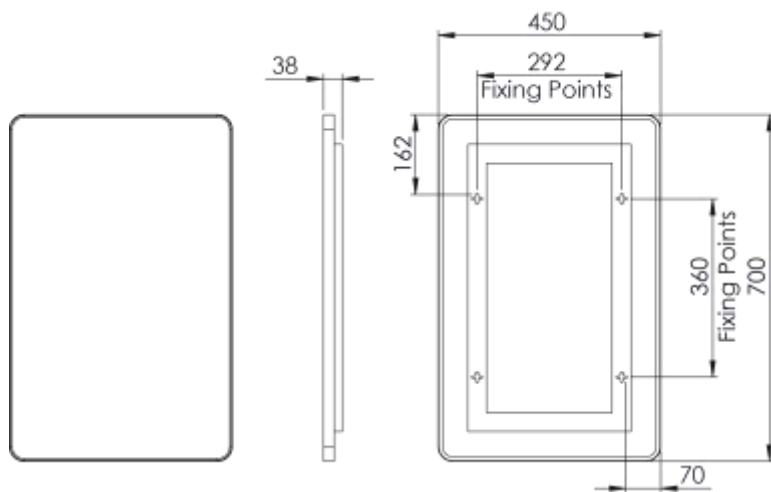
FAQ's:

	Units	VRM045	VRM060	VRM50P	VRM80C	VRM60C	VRM50V
Can the mirror be hung portrait & landscape?	-	Portrait & Landscape			Portrait Only		
What is the thickness of the mirror glass?	mm	5					
Is the mirror IP44 rated?	-	Yes – Suitable for use in bathroom zone 2					

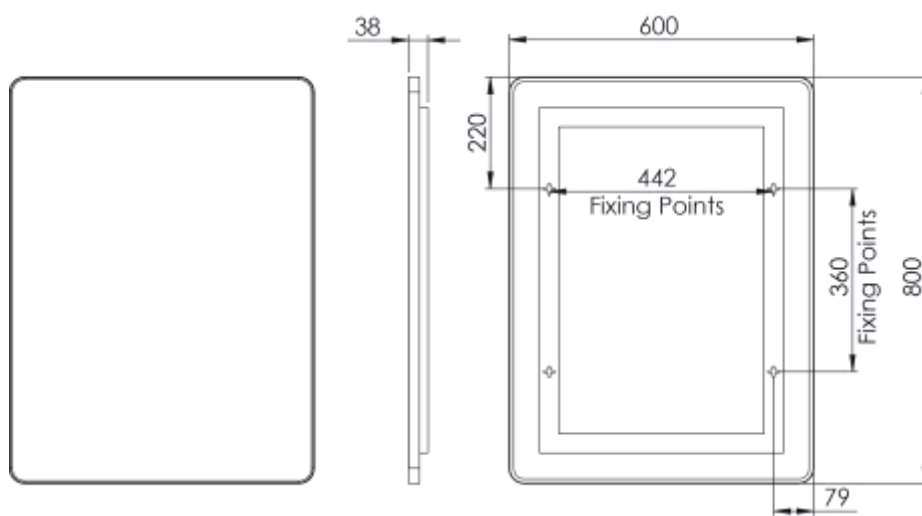
*Dimensions are subject to change, customers are advised to measure actual product before commencing installation.

**Fixing point dimensions are for guidance only/the positions of wall fixing must be checked when product is received.

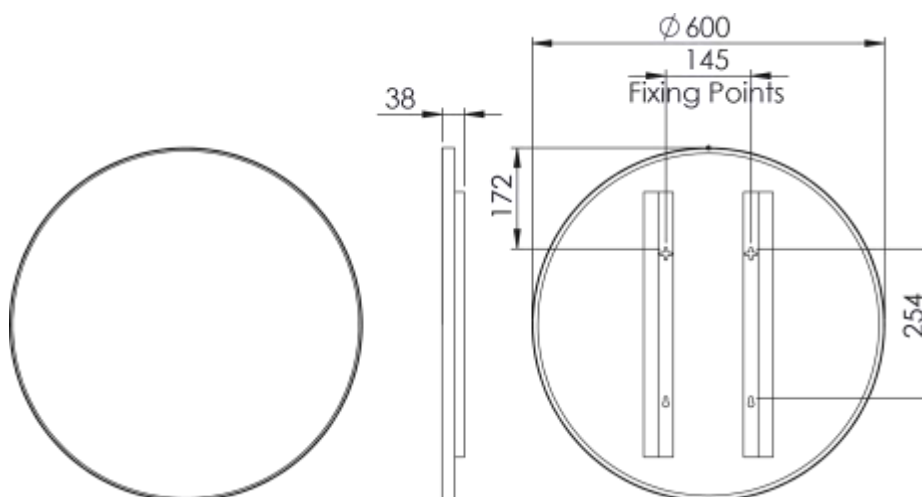
VRM045



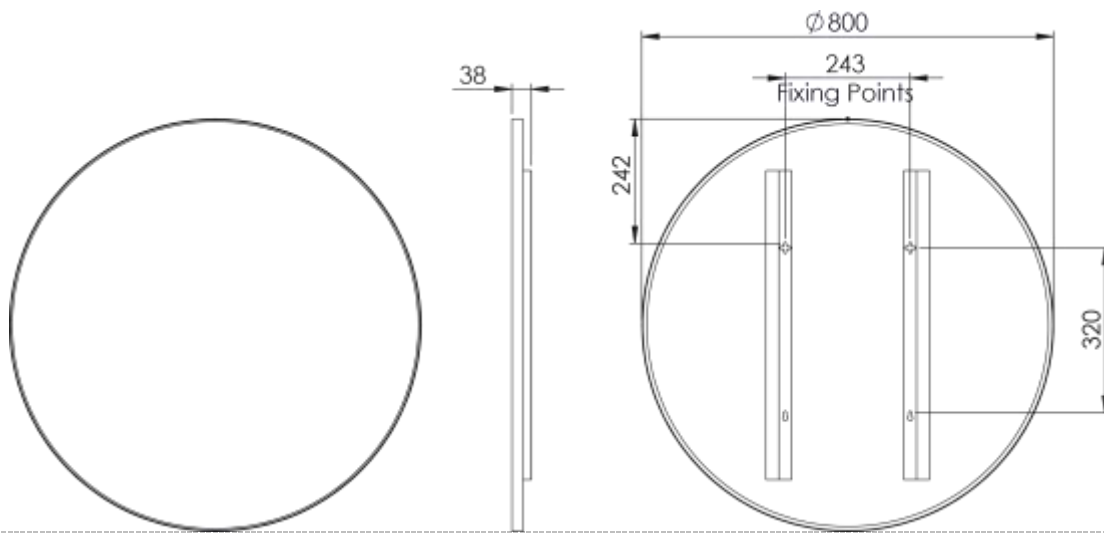
VRM060



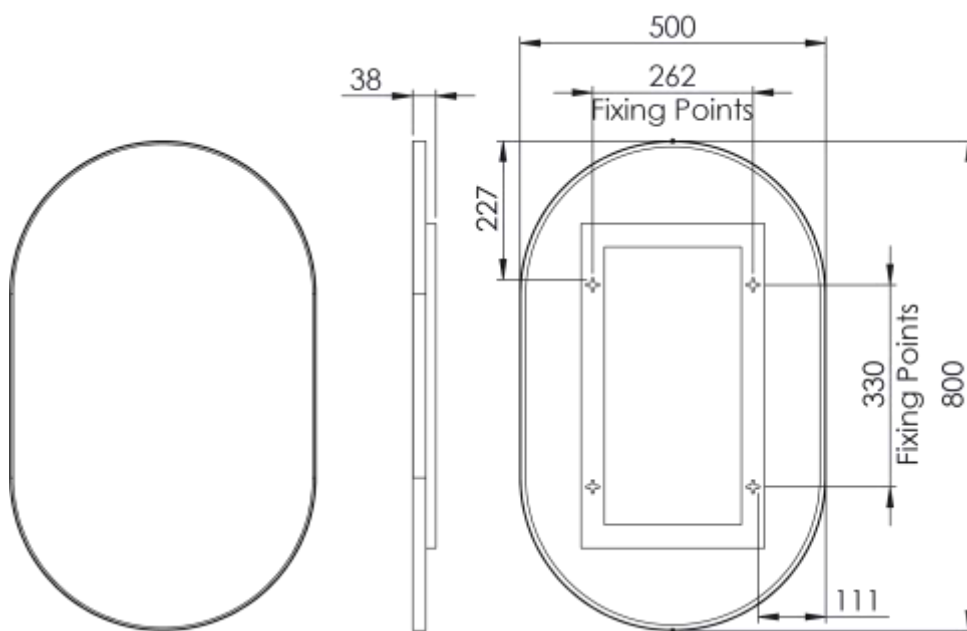
VRM60C



VRM80C



VRM50P



VRM50V

