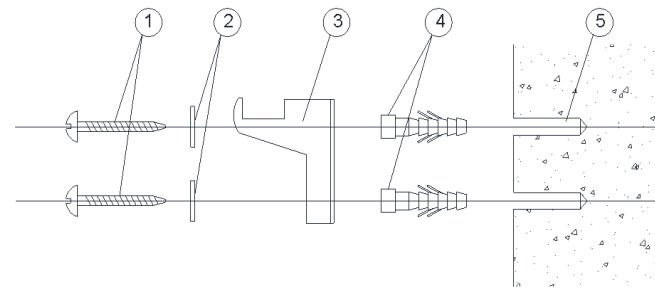


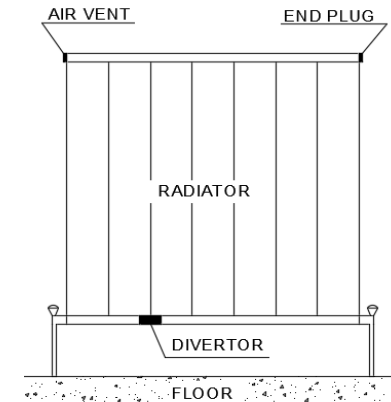
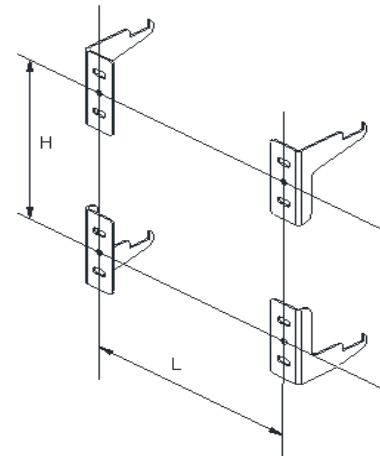
VICARI (SINGLE/DOUBLE) INSTALLATION GUIDE

This product must be fitted only by a fully qualified installer.

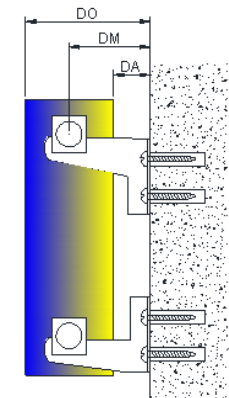
DESCRIPTION	DESCRIPTION	ILLUSTRATION
 RADIATOR x 1	Fixing choose the appropriate fixing for the wall material if required PTFE tape Electric drill Masonry drill bit appropriate to the fixings Adjustable spanner Radiator valve hex key	
 TOP - RIGHT CLIPS x 1	 TOP - LEFT CLIPS x 1	Flat head and philips head screw drivers
 BOTTOM - RIGHT CLIPS x 1	 BOTTOM - LEFT CLIPS x 1	1 lock shield valve and 1 gate or thermostatic valve
 END PLUG x 1	 FIXING SCREWS x 4	 WASHERS x 4
 AIR VENT x 1	 WALL ANCHORS x 4	 GASKETS x 4
GENERAL RECOMMENDATION		Spirit level Measuring tape



1-	SCREWS
2-	WASHERS
3-	CLIPS (BRACKETS)
4-	WALL ANCHORS
5-	WALL



NAMES	A	B	C	TUBE QTY	DA	DM	DO	H	L
VICARI (SINGLE)	600	400	545	4	25	34	65	480	162
VICARI (SINGLE)	600	600	545	6	25	34	65	480	362
VICARI (SINGLE)	600	800	545	8	25	34	65	480	362
VICARI (SINGLE)	600	1000	545	10	25	34	65	480	562
VICARI (SINGLE)	600	1200	545	12	25	34	65	480	762
VICARI (SINGLE)	600	1400	545	14	25	34	65	480	962
VICARI (SINGLE)	1800	300	1745	3	25	34	65	1680	62
VICARI (SINGLE)	1800	400	1745	4	25	34	65	1680	162
VICARI (SINGLE)	1800	500	1745	5	25	34	65	1680	262
VICARI (DOUBLE)	600	400	545	4	24	55	86	480	162
VICARI (DOUBLE)	600	600	545	6	24	55	86	480	362
VICARI (DOUBLE)	600	800	545	8	24	55	86	480	362
VICARI (DOUBLE)	600	1000	545	10	24	55	86	480	562
VICARI (DOUBLE)	600	1200	545	12	24	55	86	480	762
VICARI (DOUBLE)	600	1400	545	14	24	55	86	480	962
VICARI (DOUBLE)	1800	300	1745	3	24	55	86	1680	62
VICARI (DOUBLE)	1800	400	1745	4	24	55	86	1680	162
VICARI (DOUBLE)	1800	500	1745	5	24	55	86	1680	262



- Before fitting the radiator it is necessary to wash out the heating system to remove any existing mud, scale, work residues, traces of flux, oil, etc.
- When the system water pH is outside the 5,5-8,5 range and/or when the dissolved is above 0,1mg/liter, it is always needed to protect the heating system components (the radiator is one of these) with a proper chemical treatment compatible with all parts in contact with water (silicon rubber too).
- In order to fit the radiator to the wall, it is necessary to choose the proper fixings for the wall material.
- If the system water exceeds 50°C, please install a warning mark near the radiator to avoid any accidental scalding.
- Clean the radiator surface only with a soft cloth to avoid scratching the finish and do not use chemical agents during cleaning operations. It is prohibited to climb on the radiator.
- Maximum working temperature 95°C, maximum working pressure 4 bar.