



m a n u a l

Pivot

Installation instructions

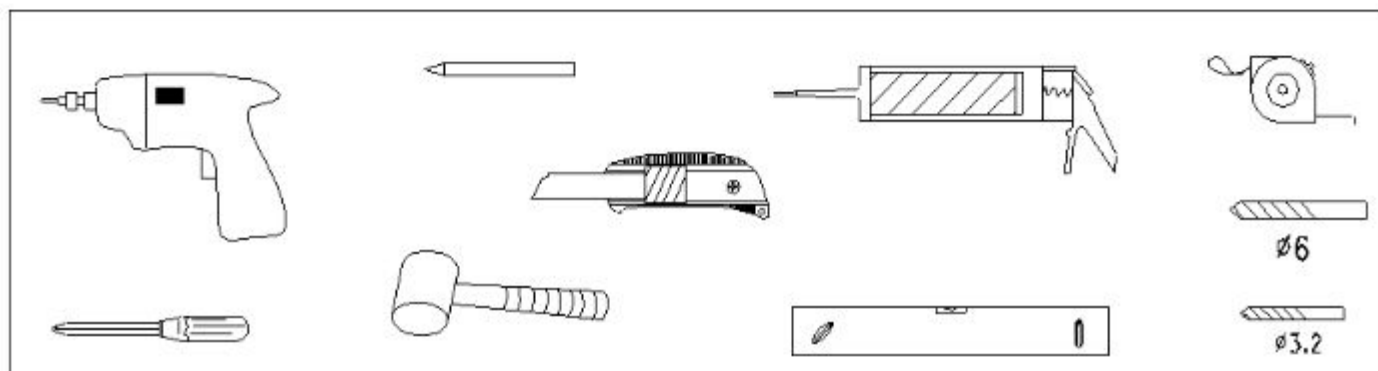
Pivot door

Adjustment range: (-20mm/0mm)×1850mm

Mounting preparation

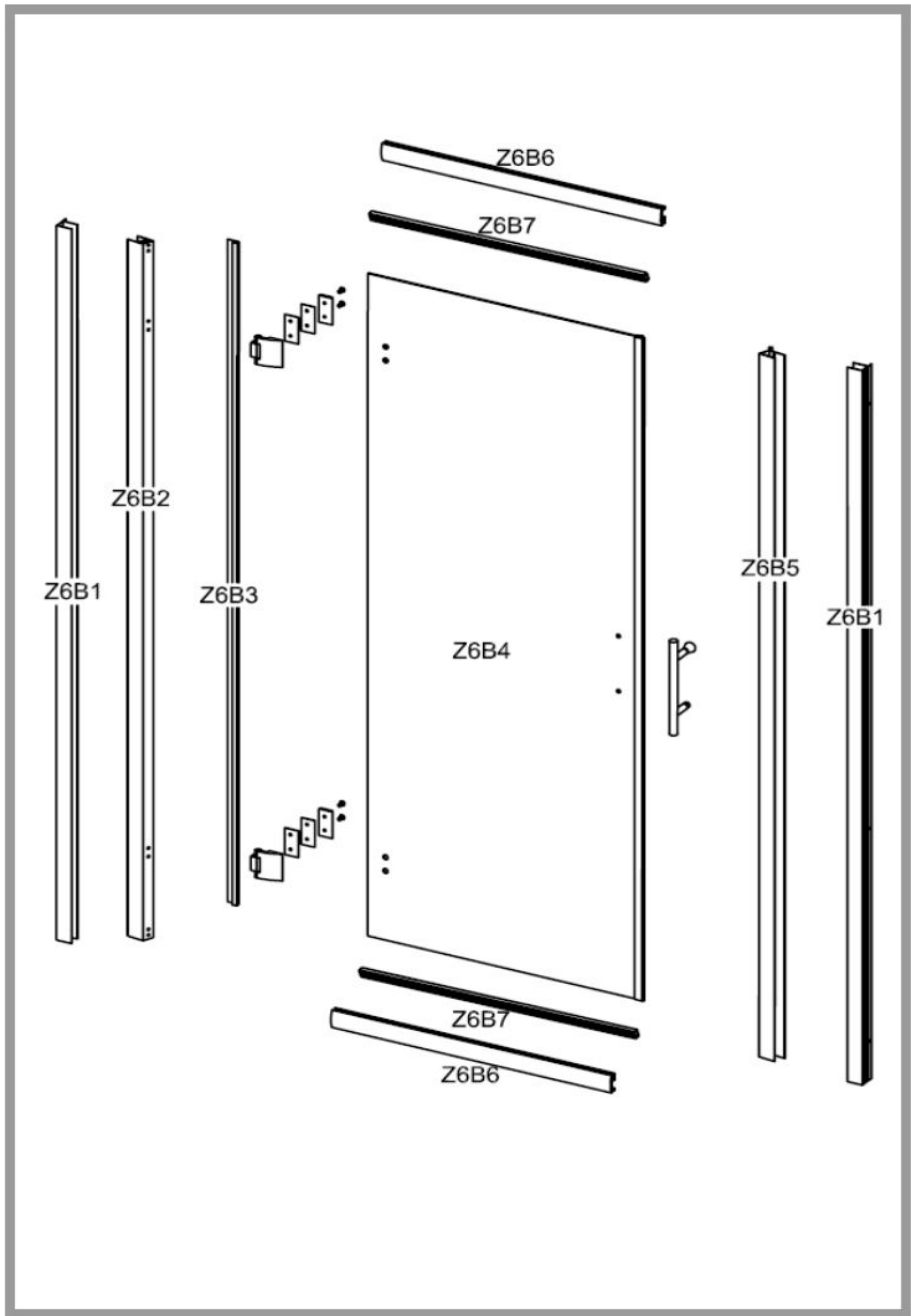
The pivot door can be mounted to the left or the right. In these installation instructions the description is based on a pivot door to the left. After opening the packaging, read the instructions carefully. Check whether all parts are present and there are no signs of shipping damage. If you find any problems, please contact your retailer directly. Necessary tools: electric drill, masonry drill (\varnothing 6mm), drill (\varnothing 3.2mm), crosstip screw driver, spirit level, tape measure, pencil and silicone sealant.

Tools required



Contents of installation instruction

<p>Z6B8</p> <p>ST4</p> <p>10</p> <p>x6</p>	<p>Z6B9</p> <p>ST4</p> <p>30</p> <p>x8</p>	<p>Z6B10</p> <p>x8</p>	<p>Z6B11</p> <p>x1</p>
<p>Z6B12</p> <p>x14</p>	<p>Z6B13</p> <p>x2</p>	<p>Z6B14</p> <p>30</p> <p>ST4</p> <p>x8</p>	



Mounting process

1. Using the spirit level to make sure the frame between the walls is horizontal, Lift the wall profile(Z6B1) upto the wall.Check whether the frame is vertical by using a spirit level.Mark the holes to the walls with a pencil,as shown in figure 1.

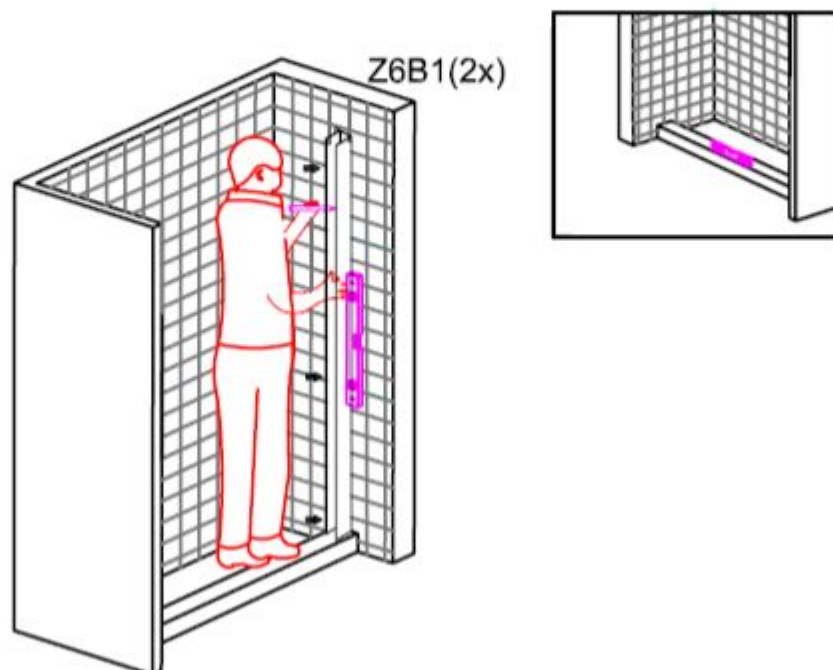


Figure 1

2. Drill the holes($\varnothing 6\text{mm}$) into the wall according to the marks made and insert the wall plugs (Z6B10) into the holes, as shown in figure 2.

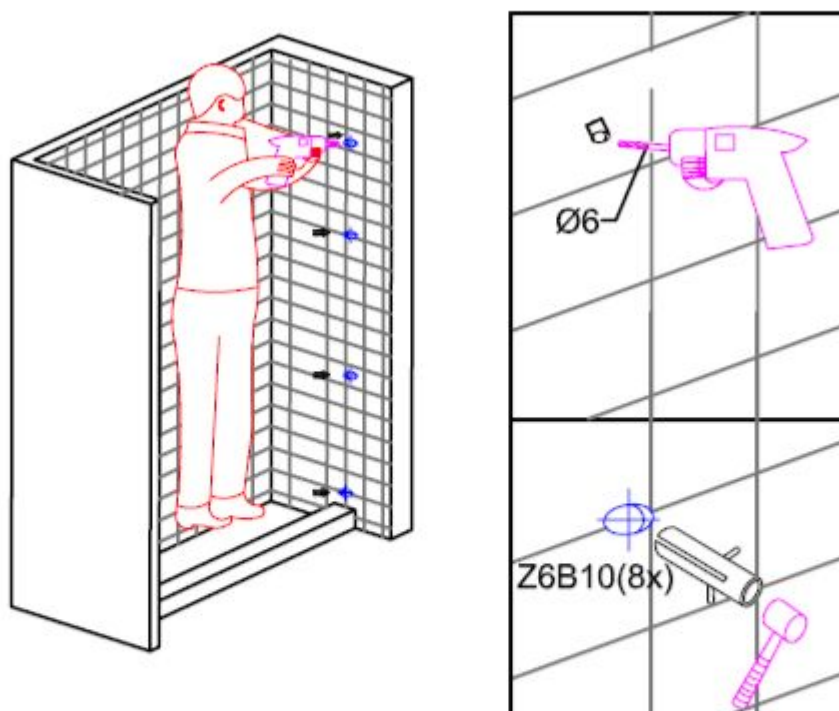


Figure 2

3. Connect the fixed profile(Z6B2) to the rail profile(Z6B6) vertically by using the screw(Z6B14).Fasten the hinge onto the fixed profile(Z6B2) and the glass panel(Z6B4),as showed in figure 3.

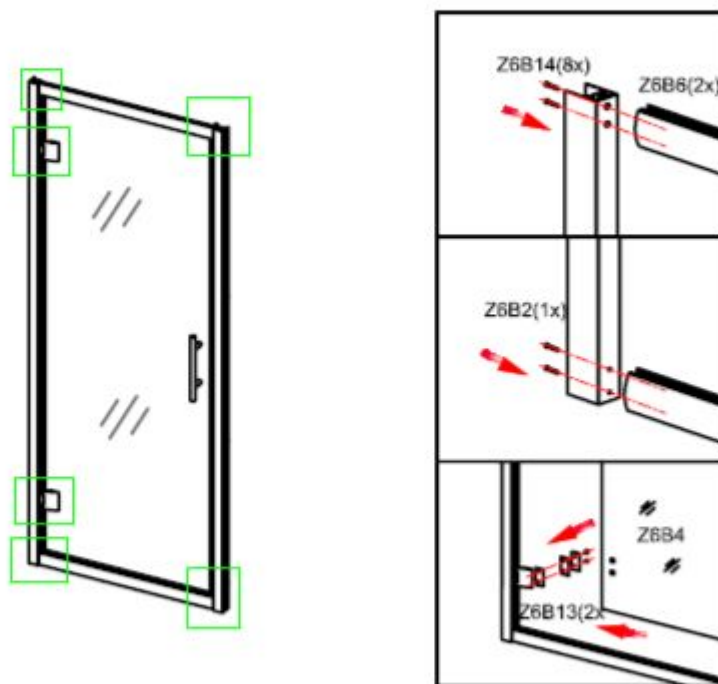


Figure 3

4. Place the wall profile(Z6B1) over the fixed profile(Z6B2) and door profile,as showed in figure 4.

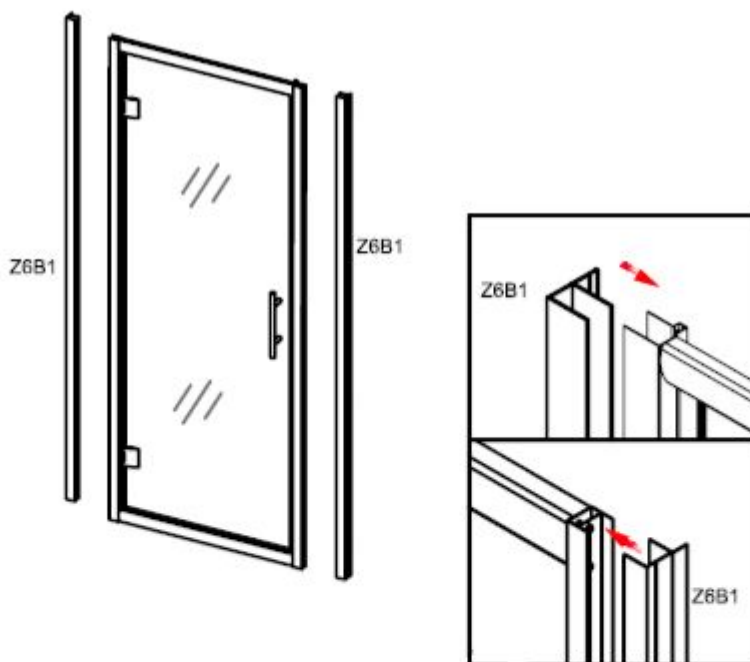


Figure 4

5. Move the whole door profile to the wall frame,as showed in figure 5.

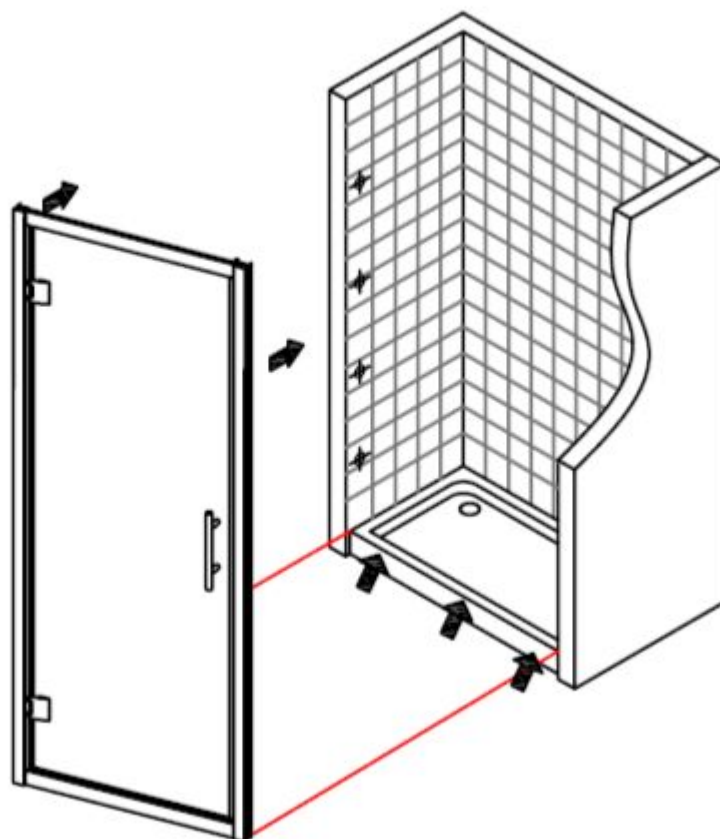


Figure 5

6. Test the rail profile(Z6B6) to be horizontal,as showed in figure 6.

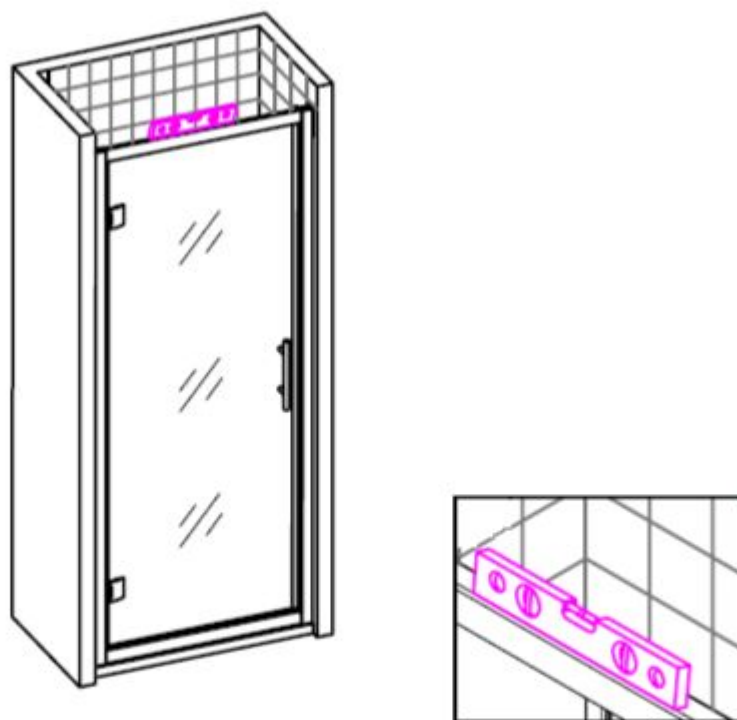


Figure 6

7. Fix the wall profile(Z6B1) to the wall by using screw(Z6B9) and with caps on,as showed in figure 7.

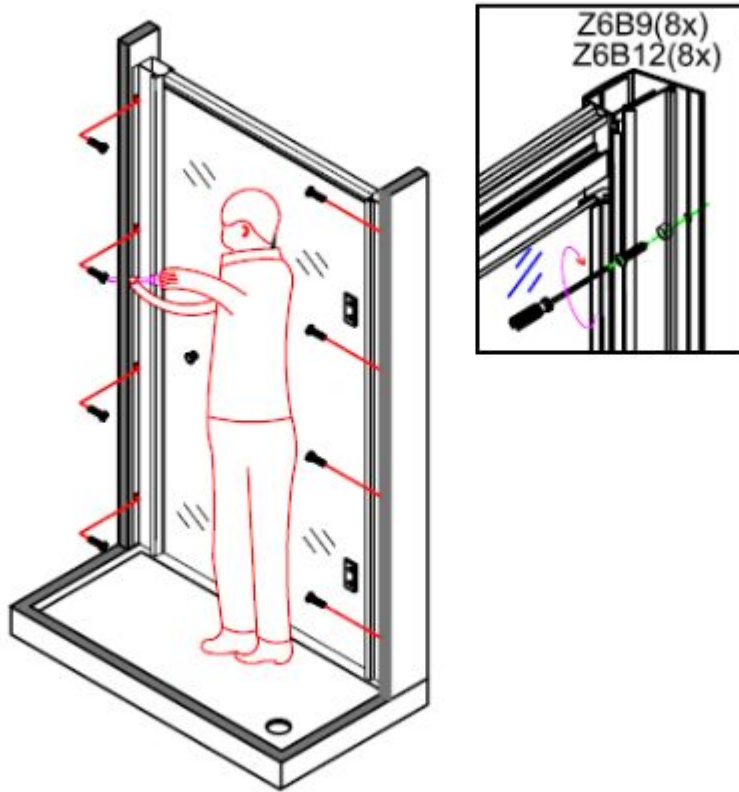


Figure 7

8. Adjust the door and fasten the wall profile(Z6B1) with the fixed profile(Z6B2) by using screw(Z6B8) with caps on,as showed in figure 8.

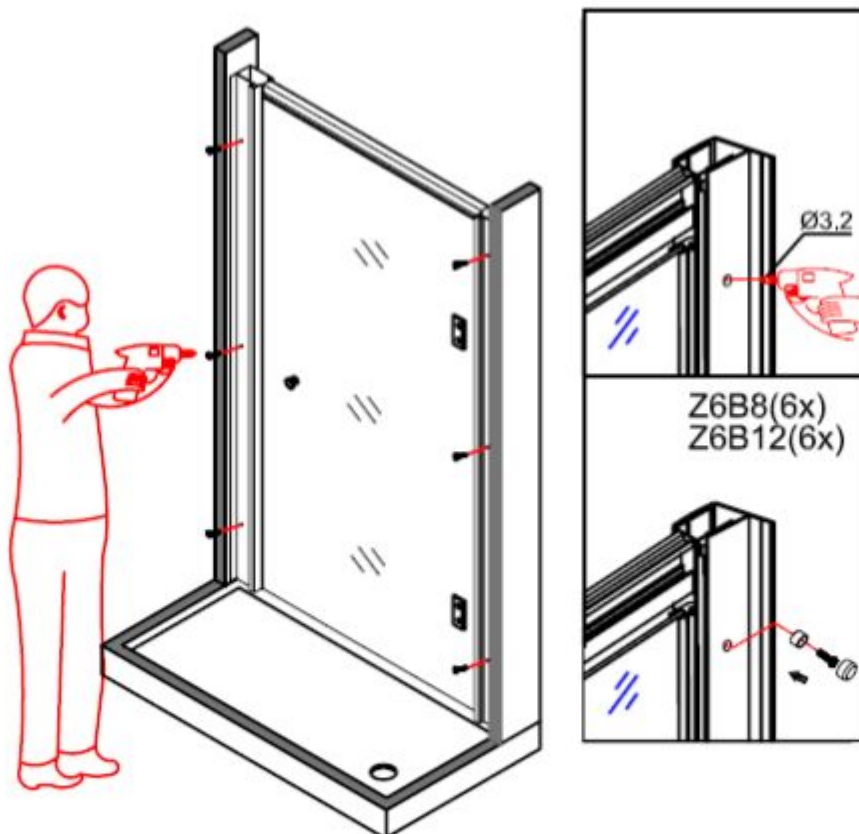
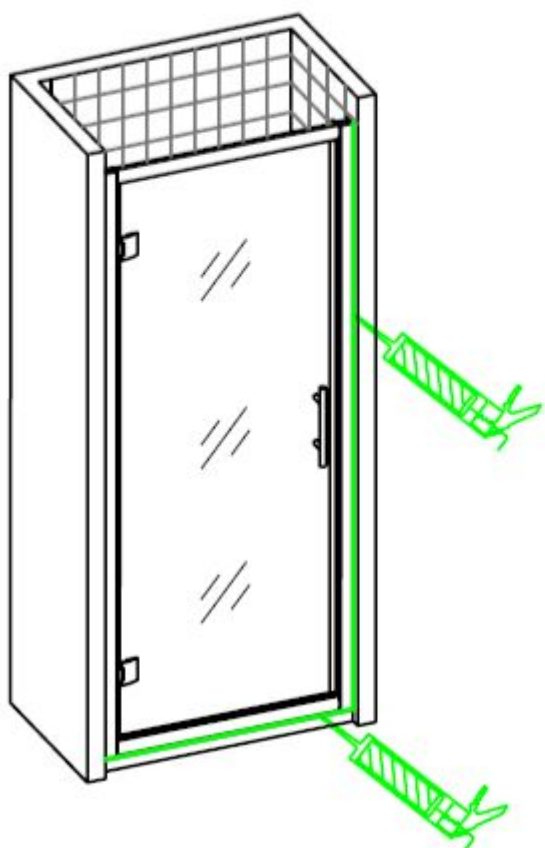


Figure 8

9. Finally, at all points connected to the wall, shower tray, floor and profiles, use silicone sealant only on the outside of the shower enclosure, as showed in figure 9



Installation instructions

Pivot door with side panel

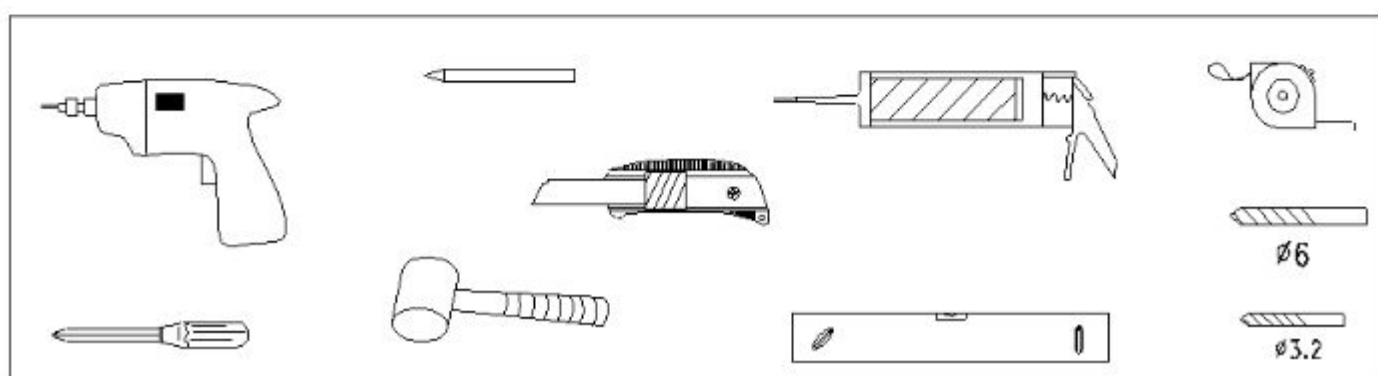
Adjustment range: (-20mm/0mm) × (-40mm/0mm) × 1850mm

Mounting preparation

The pivot door can be mounted to the left or the right. In these installation instructions the description is based on a pivot door to the left. After opening the packaging, read the instructions carefully. Check whether all parts are present and there are no signs of shipping damage. If you find any problems, please contact your retailer directly.

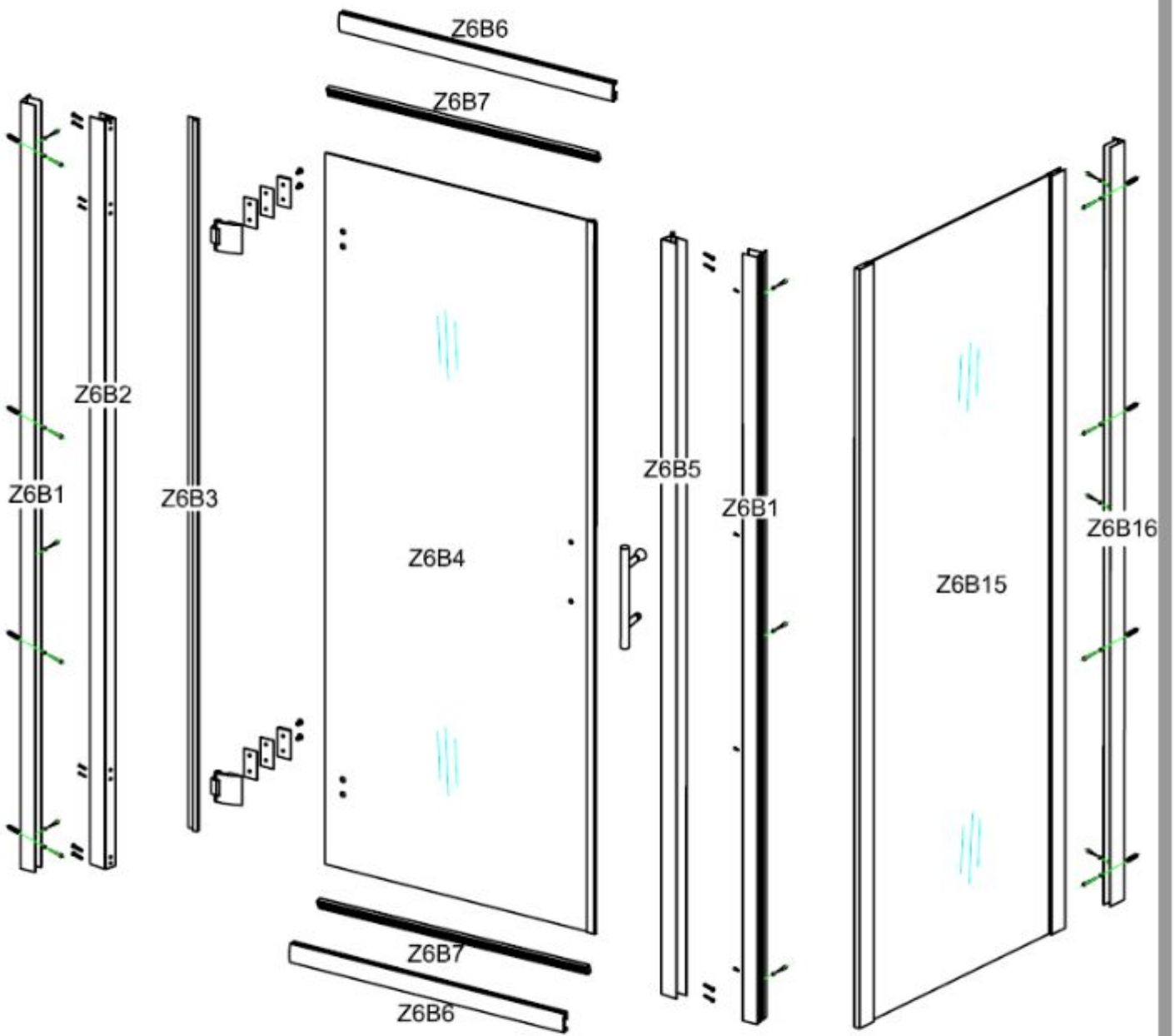
Necessary tools: electric drill, masonry drill (\varnothing 6mm), drill (\varnothing 3.2mm), crosstip screw driver, spirit level, tape measure, pencil and silicone sealant.

Tools required



Contents of installation instruction

<p>Z6B8</p> <p>ST4</p> <p>x13</p>	<p>Z6B9</p> <p>ST4</p> <p>x8</p>	<p>Z6B10</p> <p>x8</p>	<p>Z6B11</p> <p>x1</p>
<p>Z6B12</p> <p>x17</p>	<p>Z6B13</p> <p>x2</p>	<p>Z6B14</p> <p>ST4</p> <p>x8</p>	



Mounting process

1. Using the spirit level to make sure the frame is horizontal. Lift the wall profile(Z6B1) upto the wall. Check whether the frame is vertical by using a spirit level. Mark the holes to the walls with a pencil. Drill the holes(\varnothing 6mm) into the wall according to the marks made and insert the wall plugs (Z6B10) into the holes, as shown in figure 1.

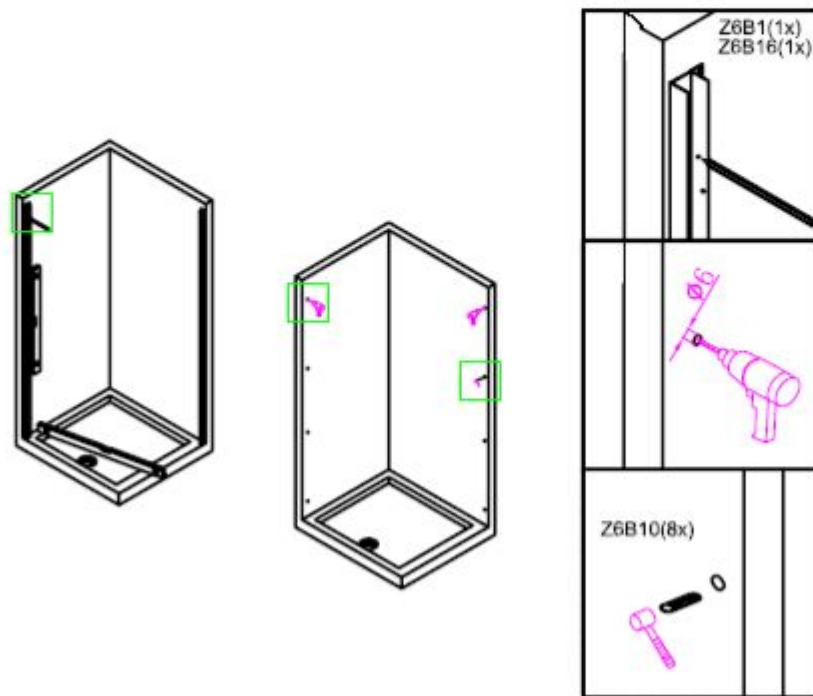


Figure 1

2. Fix the wall profile(Z6B1) and (Z6B16) to the wall by using screw(Z6B9) with caps, as showed in figure 2.

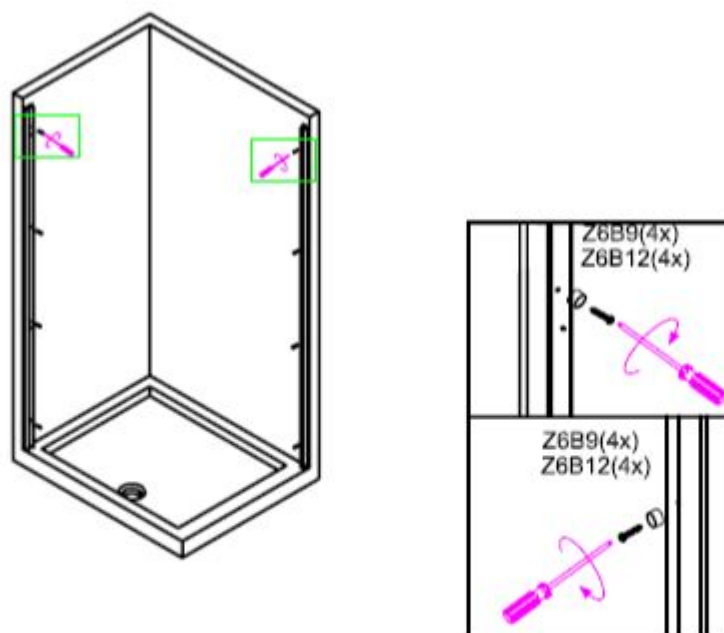


Figure 2

3. Connect the fixed profile(Z6B2) to the rail profile(Z6B6) vertically by using the screw(Z6B14).Fasten the hinge onto the fixed profile(Z6B2) and the glass panel(Z6B4),as showed in figure 3.

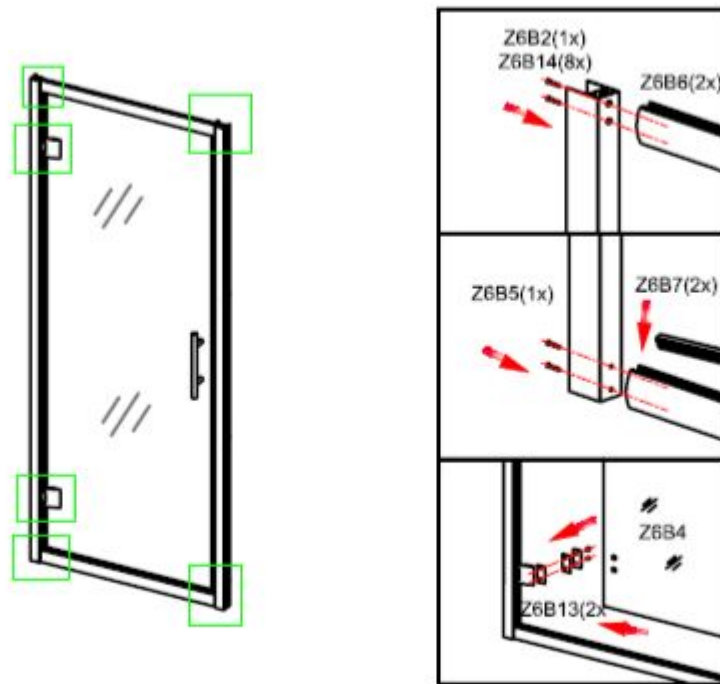


Figure 3

4. Place the wall profile(Z6B1) over the fixed profile(Z6B2) and door profile,as showed in figure 4.

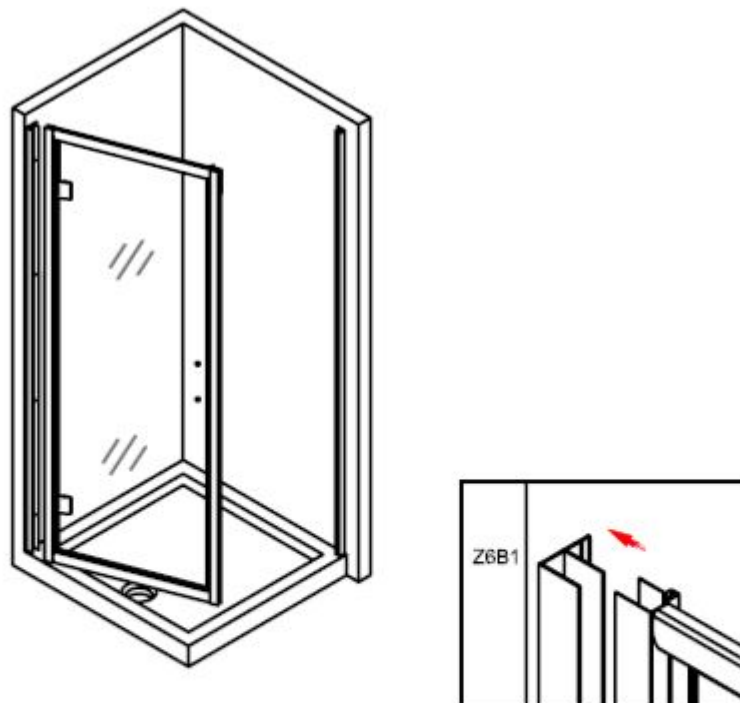


Figure 4

Cleaning & Maintenance

Don't clean the shower enclosure with irritant detergent such as alcohol,bleach or other chemical cleaners.

Only clean with warm soapy water.

After the installation is completed,should you find that there is notable noise when the glass door moves,you may add a small quantity of lubricant onto the roller wheel,slipping hook and the track.



Eastbrook Road, Gloucester GL4 3DB
Technical Helpline: 01452 317890
email: technical@eastbrookco.com

7. Fasten the wall profile and the fixed profile by using screw(Z6B8),as showed in figure 7.

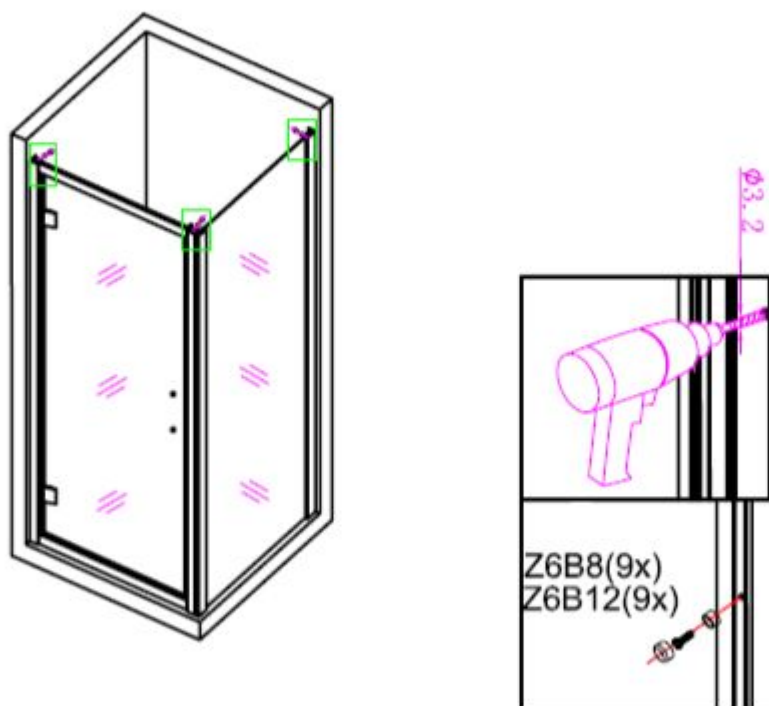


Figure 7

8. Open the door a little bit inside and .Install the handle(Z6B11) and the waterproof strip(Z6B3) onto the glass door(Z6B4) ,as showed in figure 8.

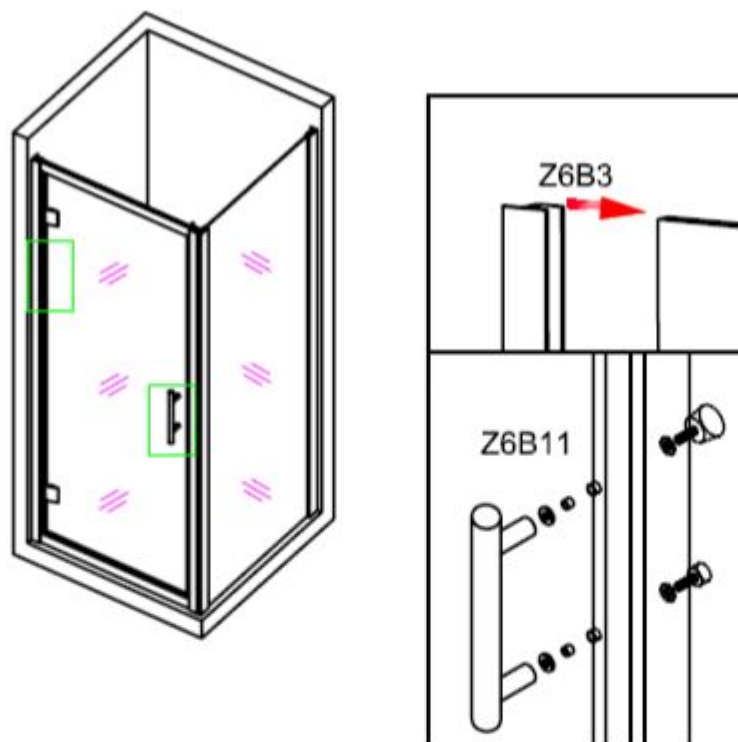
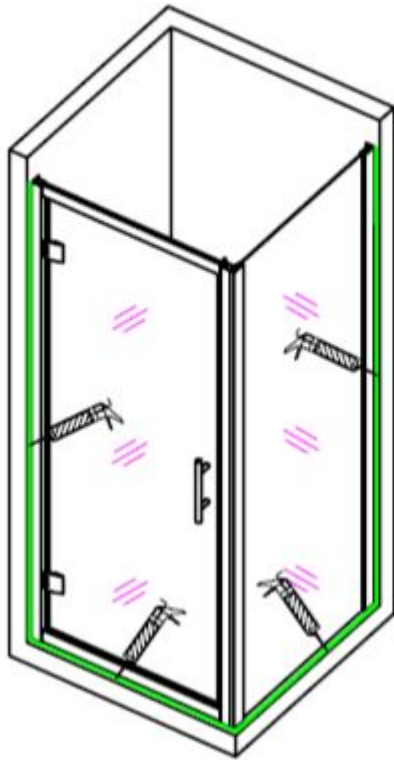


Figure 8

9. Finally, at all points connected to the wall, shower tray, floor and profiles, use silicone sealant only on the outside of the shower enclosure, as showed in figure 9






Eastbrook

Eastbrook Road, Gloucester GL4 3DB
Technical Helpline: 01452 317890
email: technical@eastbrookco.com