



**m a n u a l**

**Slider**

## Installation instructions

### Slider

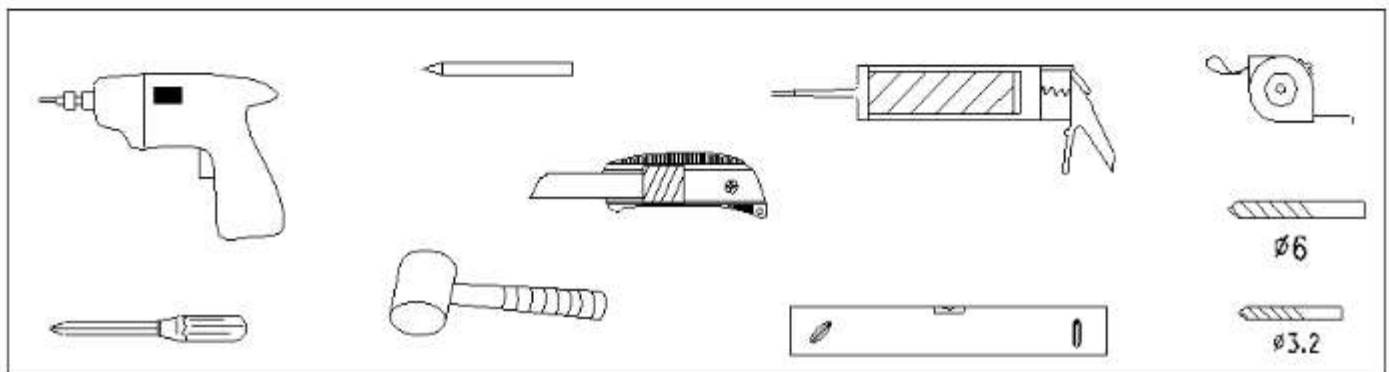
Adjustment range: (-20mm/0mm)×1850mm

### Mounting preparation

The sliding door can be mounted to the left or the right. In these installation instructions the description is based on a sliding door to the left. After opening the packaging, read the instructions carefully. Check whether all parts are present and there are no signs of shipping damage. If you find any problems, please contact your retailer directly.

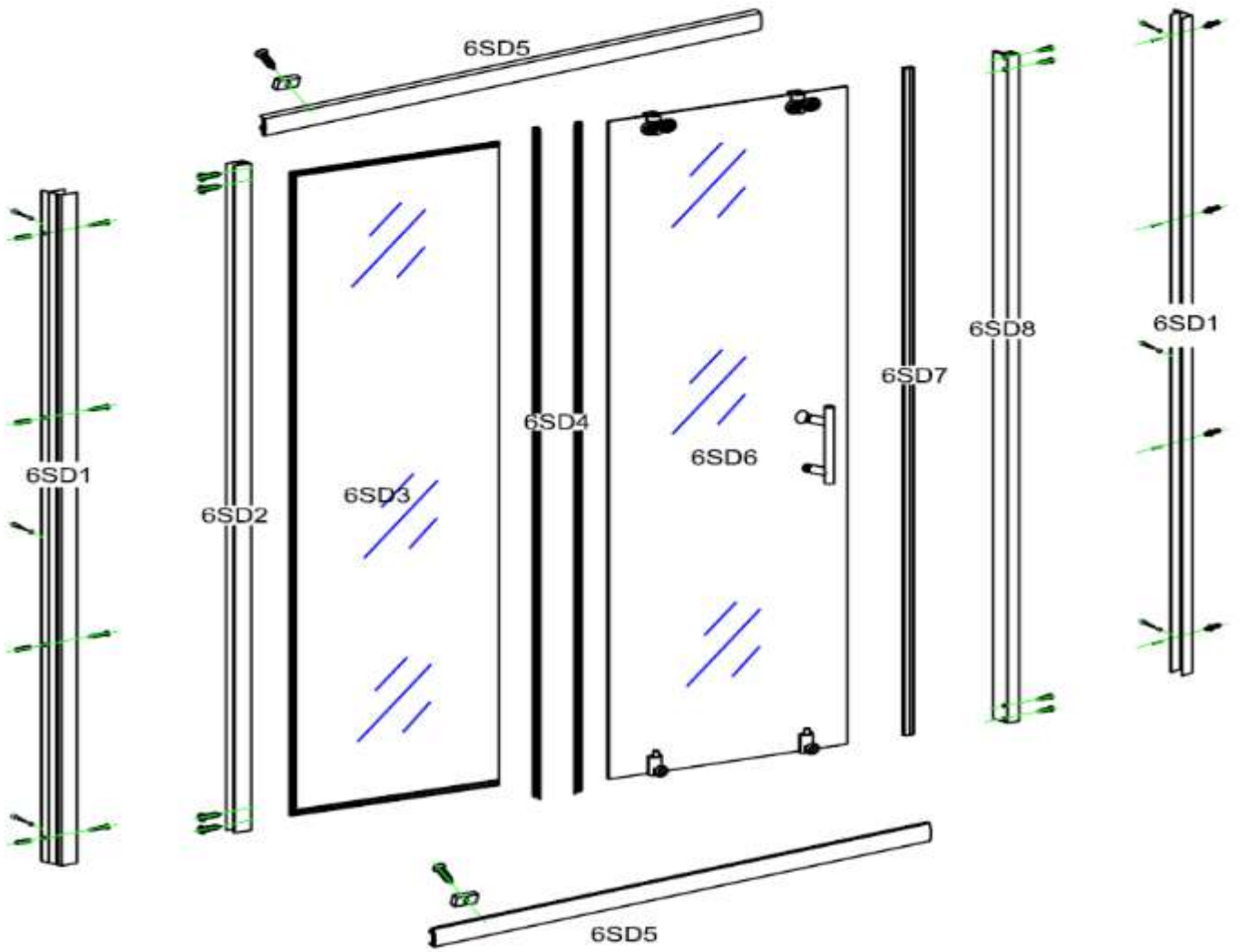
Necessary tools: electric drill, masonry drill ( $\phi$  6mm), drill ( $\phi$  3.2mm), crosstip screw driver, spirit level, tape measure, pencil and silicone sealant.

### Tools required



### Contents of installation instruction

 30 ST4 16X	 8X	 10 ST4 8X	 12 ST4 2X	 1X
 1X	 1X	 14X	 2X	



## Mounting process

1. Using the spirit level to make sure the frame between the walls is horizontal, as showed in figure 1

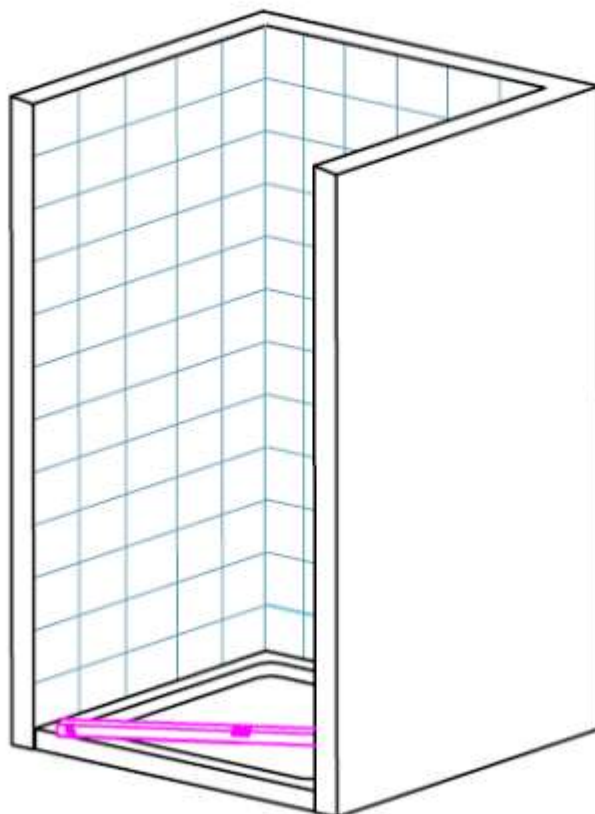


Figure 1

2. Lift the wall profile(6SD1) upto the wall. Check whether the frame is vertical by using a spirit level. Mark the holes to the walls with a pencil, as shown in figure 2.

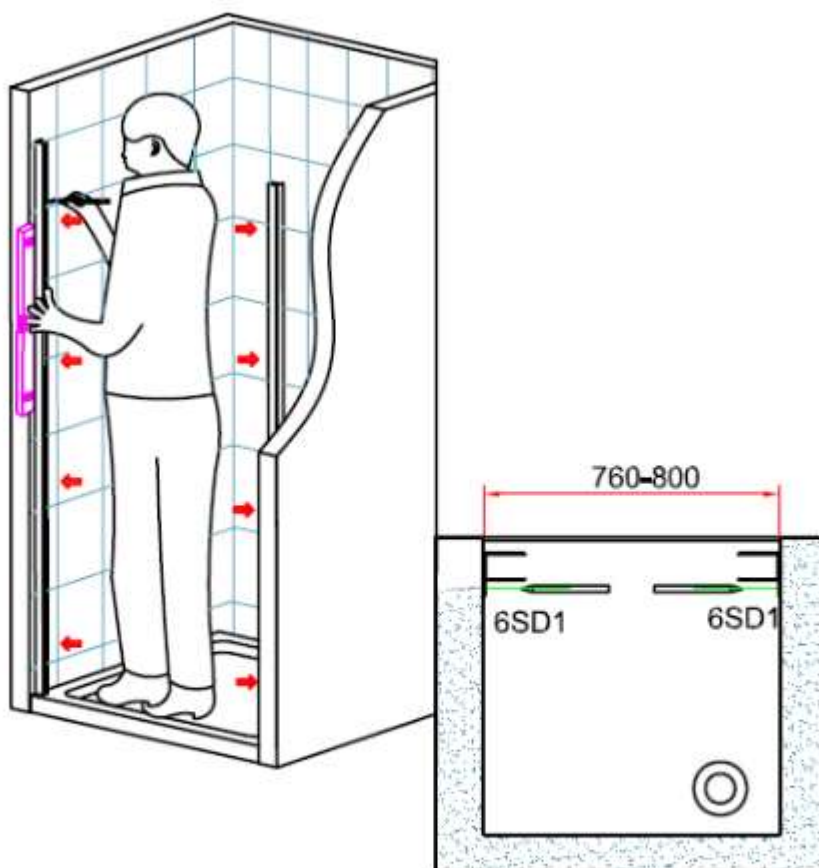


Figure 2

3. Drill the holes( $\varnothing 6\text{mm}$ ) into the wall according to the marks made and insert the wall plugs (6SD10) into the holes, as shown in figure 3

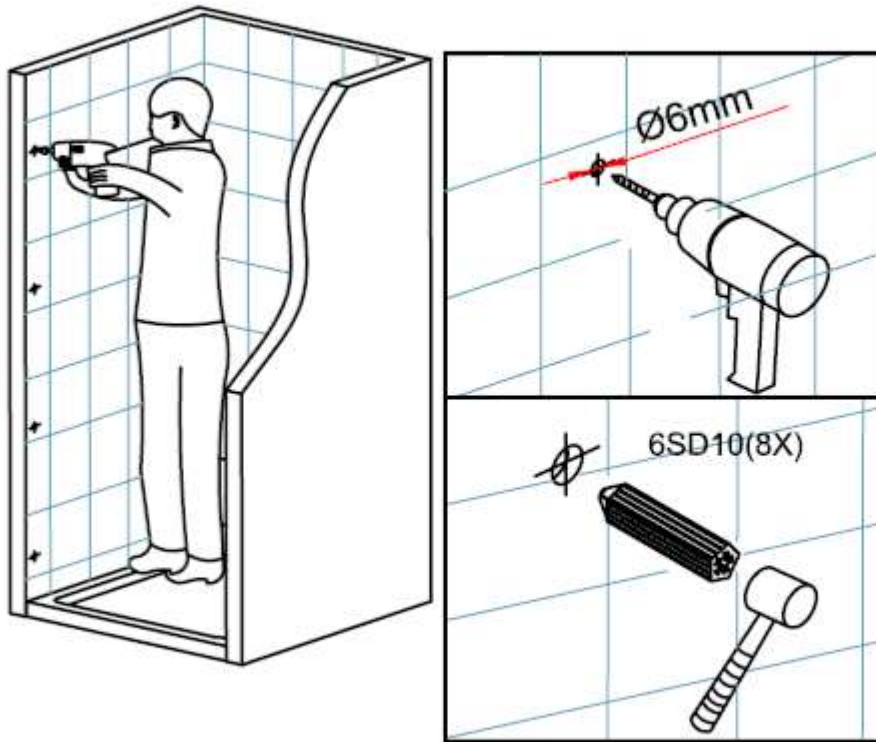


Figure 3

4. Connect the fixed profile(6SD2) to the rail profile(6SD5) vertically by using the screw(6SD9),as showed in figure 4.

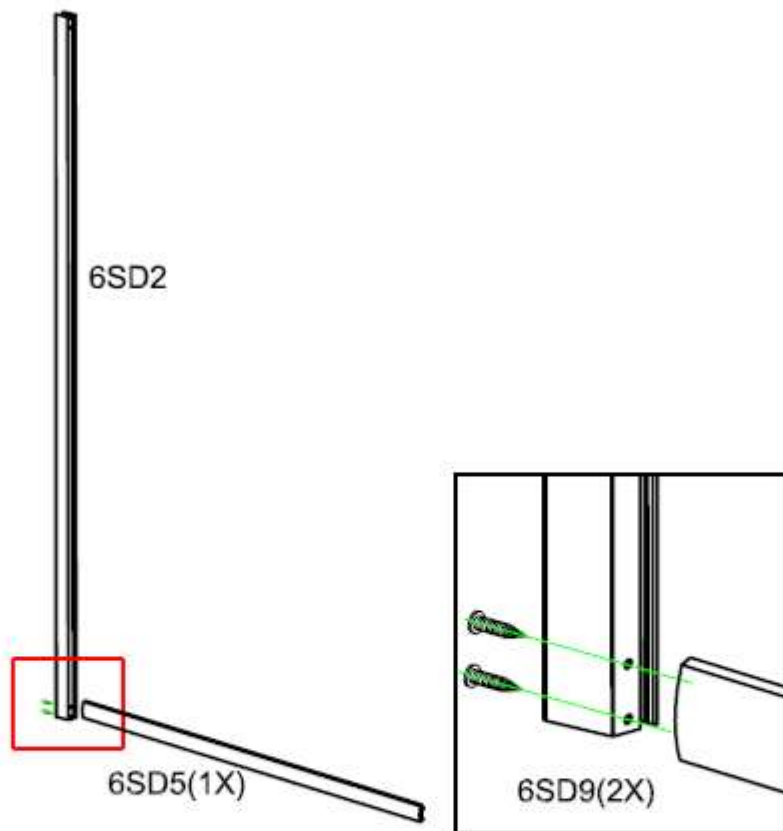


Figure 4

5. Click the U shape strip onto the fixed panel(6SD3) vertically.Put the fixed panel down to the rail profile(6SD5) and vertical to the fixed profile(6SD2),as showed in figure 5.

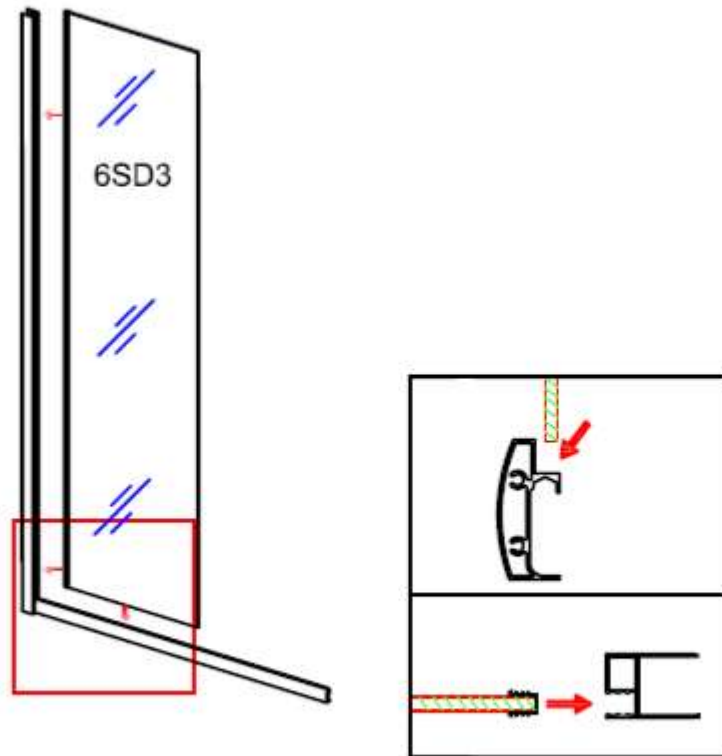


Figure 5

6. Click the strip(6SD4) onto the fixed panel,fasten the top rail profile(6SD5) with the fixed profile. Install the roller stopper(6SD17) with screw(6SD12),as showed in figure 6.

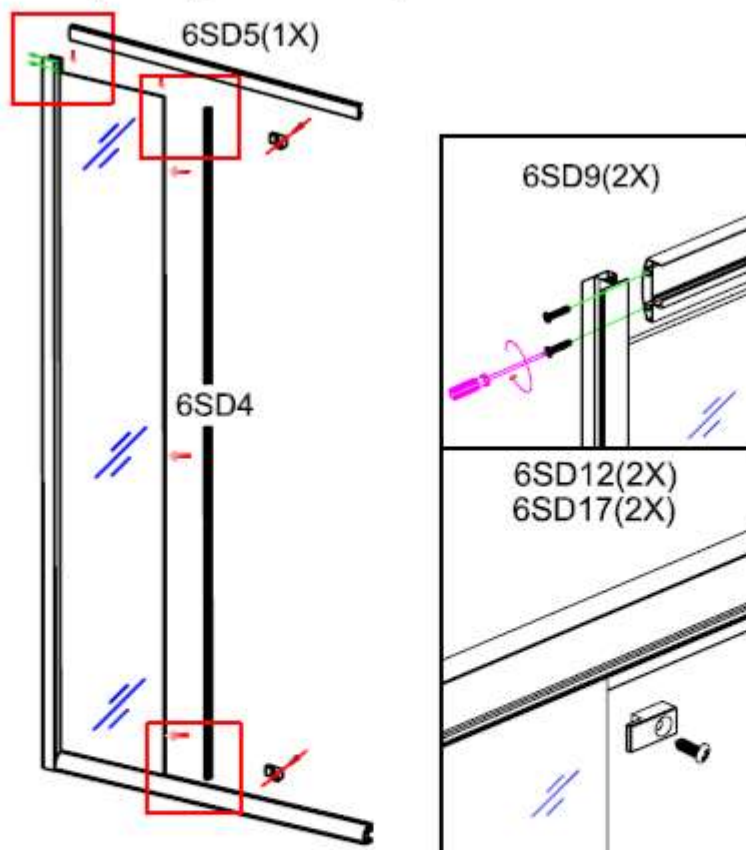


Figure 6

7. Click the strip(6SD4) and (6SD7) onto the moving panel.Hang the top double roller into the top rail and clip the bottom single roller into the bottom rail ,as showed in figure 7.

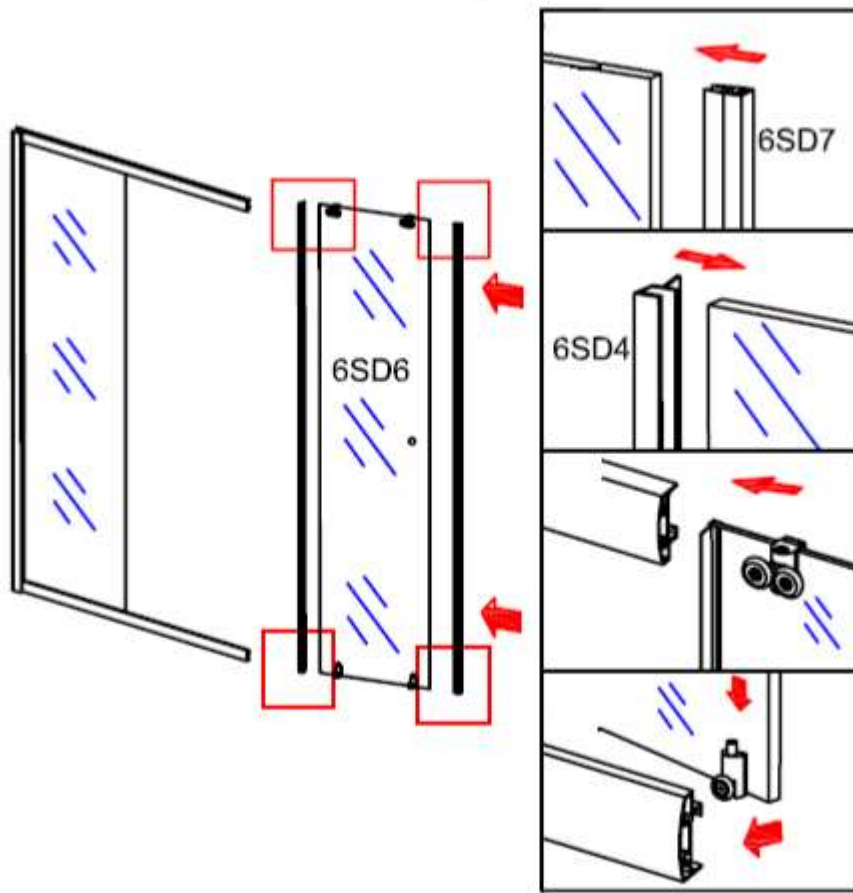


Figure 7

8. Fix the vertical profile(6SD8) with step(7).Install the handle onto the glass door,as showed in figure 8.

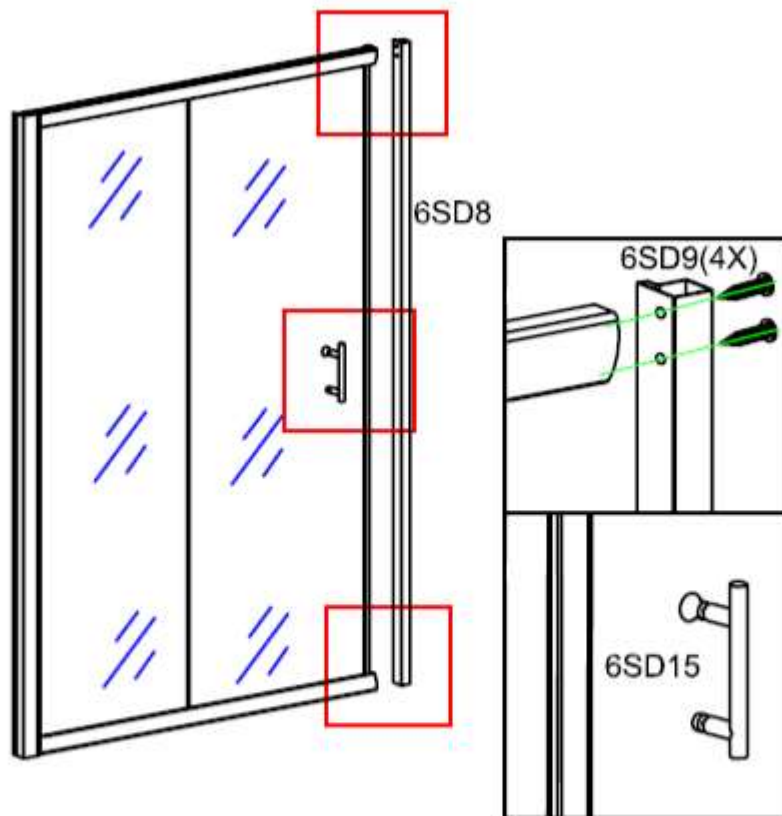


Figure 8

9. Connect the wall profile(6SD1) with the door set,as showed in figure 9.

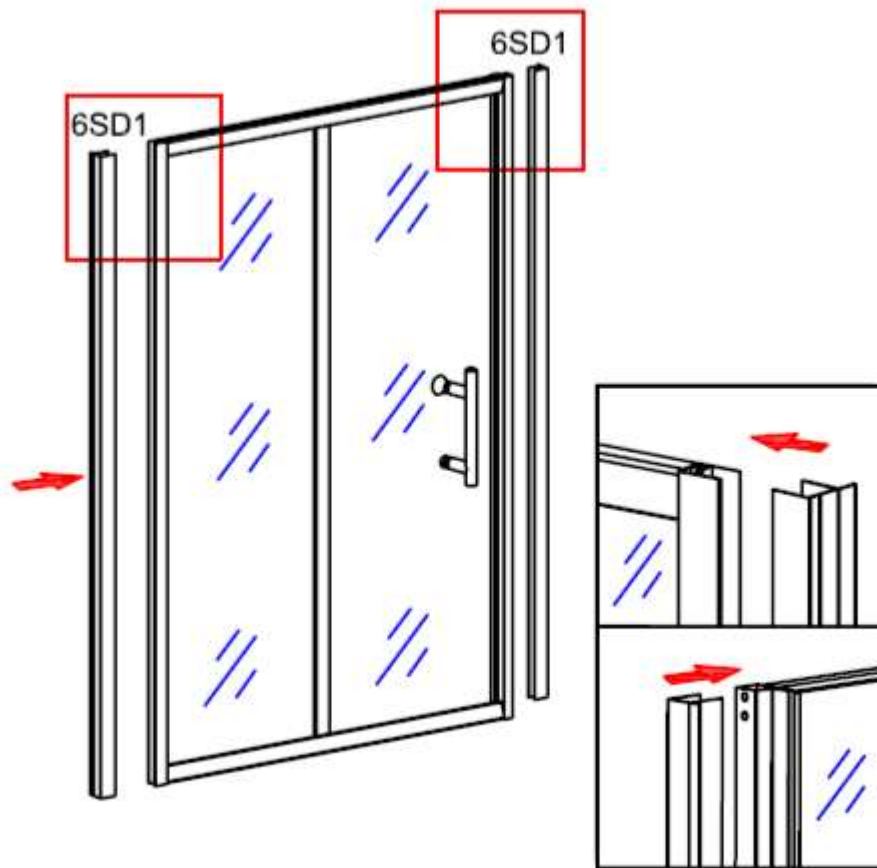


Figure 9

10. Moving the whole set to the wall frame,as showed in figure 10

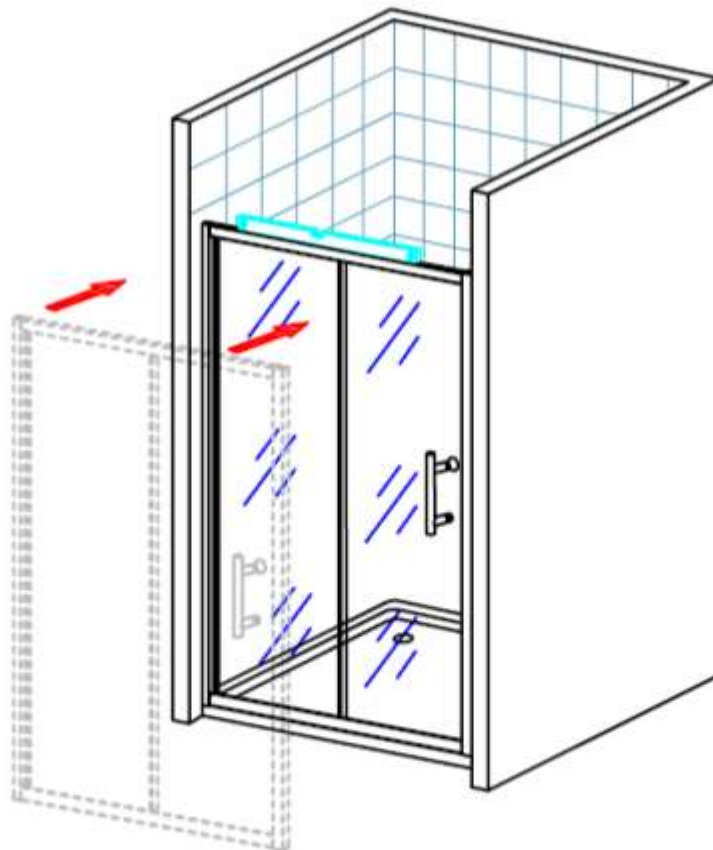


Figure 10

11. Adjust the wall profile and the fixed profile, then fasten the wall profile(6SD1) to the wall by using screw(6SD9) with caps, as showed in figure 11.

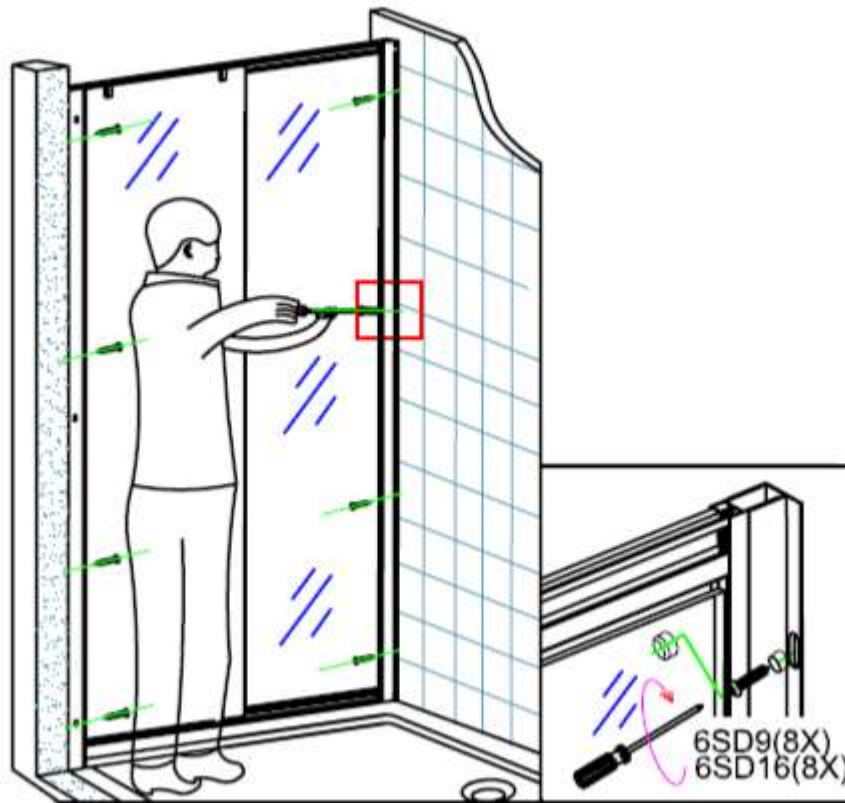


Figure 11

12. Fasten the fixed profile and wall profile by using screw(6SD11), as showed in figure 12



Figure 12

13. Install the top and bottom rubber stoppers(6SD13) and (6SD14) with screw(6SD9),  
As showed in figure 13.

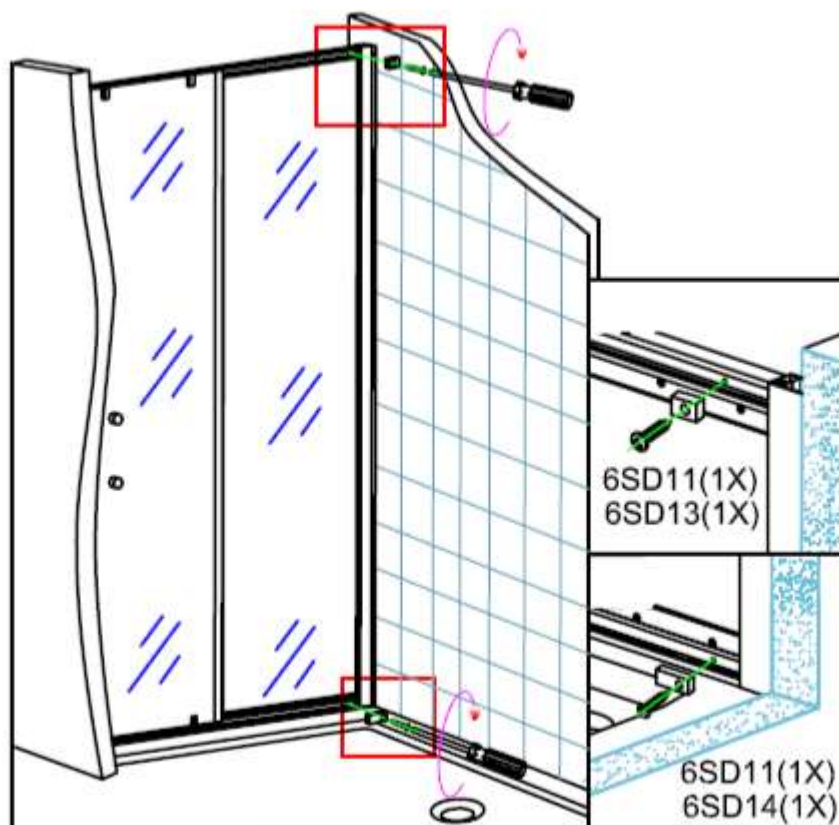


Figure 13

14. Finally,at all points connected to the wall,shower tray,floor and profiles,use silicone sealant only on the outside of the shower enclosure,as showed in figure 14

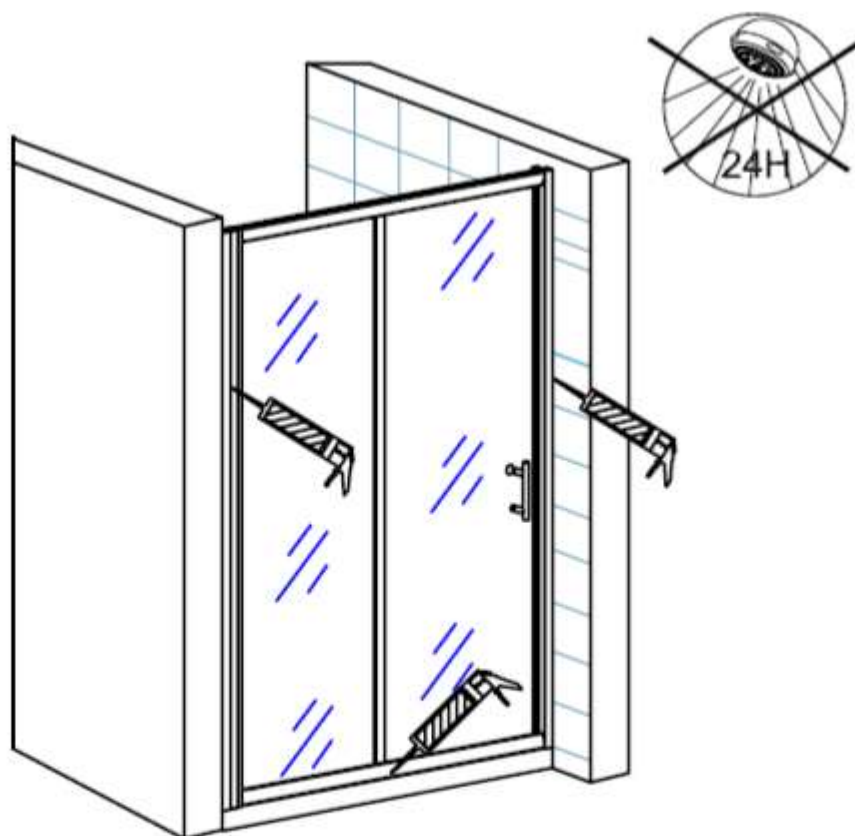


Figure 14

## Installation instructions

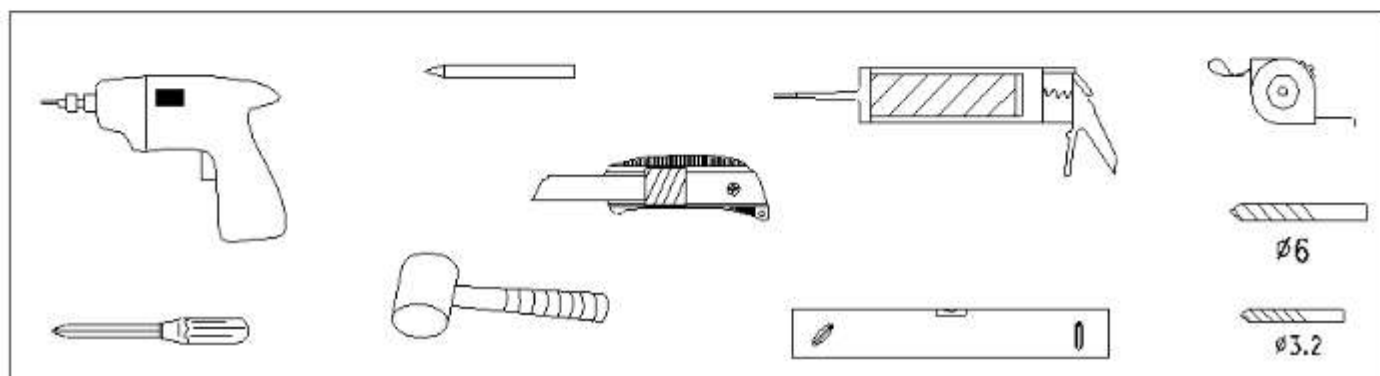
### Slider with side panel

Adjustment range: (-20mm/0mm) × (-4mm/0mm) × 1850mm

### Mounting preparation

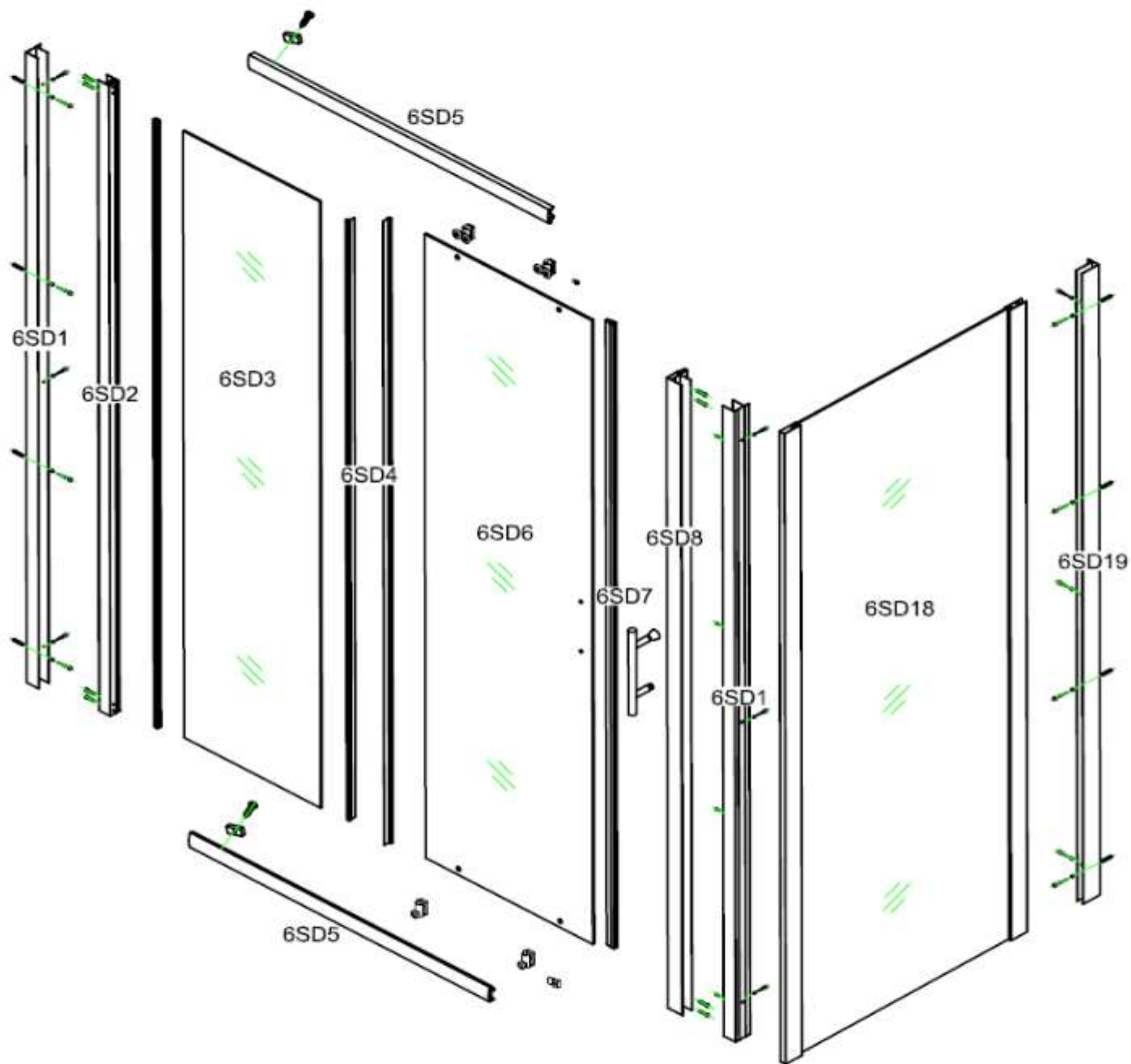
The sliding door can be mounted to the left or the right. In these installation instructions the description is based on a sliding door to the left. After opening the packaging, read the instructions carefully. Check whether all parts are present and there are no signs of shipping damage. If you find any problems, please contact your retailer directly. Necessary tools: electric drill, masonry drill (φ 6mm), drill (φ 3.2mm), crosstip screw driver, spirit level, tape measure, pencil and silicone sealant.

### Tools required



### Contents of installation instruction

<p>6SD9</p> <p>30 ST4</p> <p>16X</p>	<p>6SD10</p> <p>8X</p>	<p>6SD11</p> <p>10 ST4</p> <p>15X</p>	<p>6SD12</p> <p>12 ST4</p> <p>2X</p>	<p>6SD13</p> <p>1X</p>
<p>6SD14</p> <p>1X</p>	<p>6SD15</p> <p>1X</p>	<p>6SD16</p> <p>17X</p>	<p>6SD17</p> <p>2X</p>	



## Mounting process

1. Using the spirit level to make sure the frame between the walls is horizontal. lift the wall profile(6SD1) upto the wall. Check whether the frame is vertical by using a spirit level. Mark the holes to the walls with a pencil. Drill the holes( $\varnothing$  6mm) into the wall according to the marks made and insert the wall plugs (6SD10) into the holes, as shown in figure 1

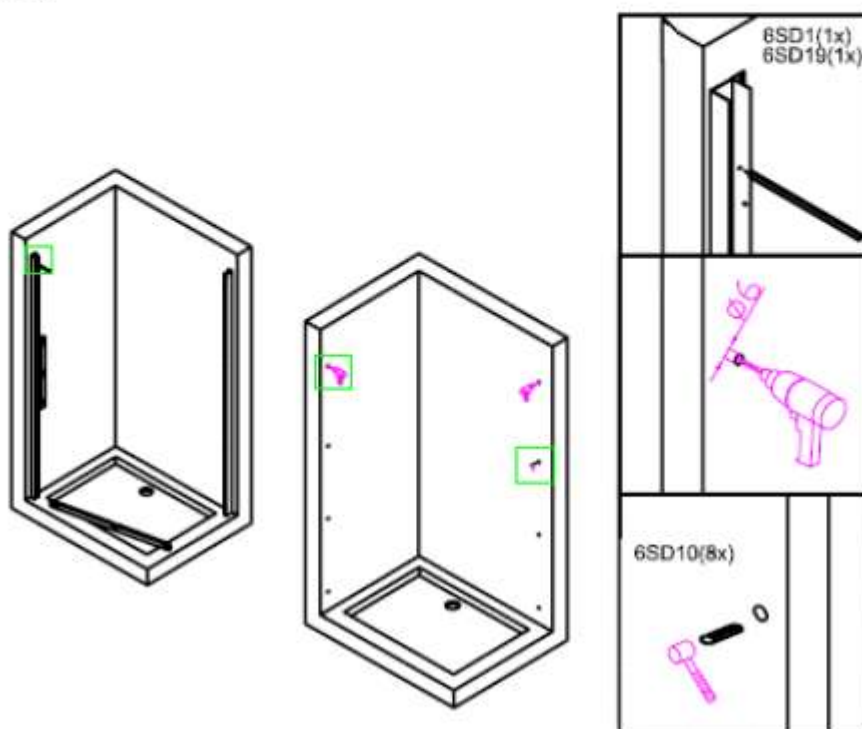


Figure 1

2. Fix the wall profile(6SD1) to the wall by using screw(6SD9) with caps, as showed in figure 2.

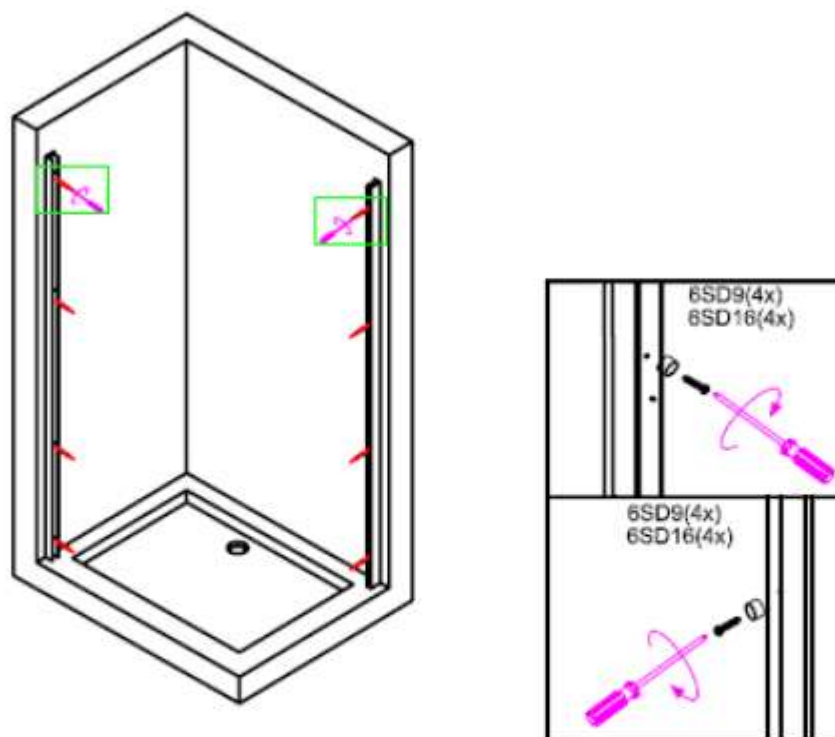


Figure 2

3. Click the U shape strip onto the fixed panel(6SD3) vertically,as showed in figure 3.

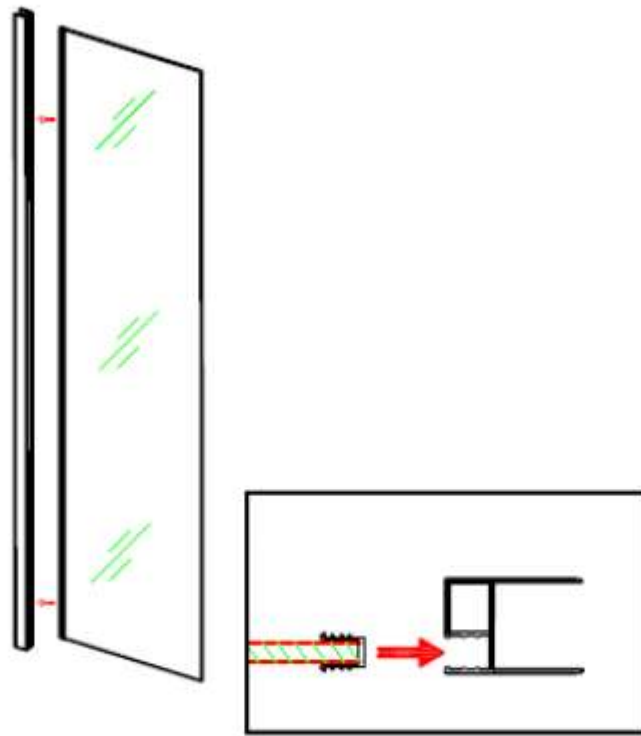


Figure 3

4. Put the fixed panel between the rail profiles(6SD5),fasten the rail profile with the fixed profile(6SD2) by using screw(6SD9). Install the stopper up and down rail,as showed in figure 4.

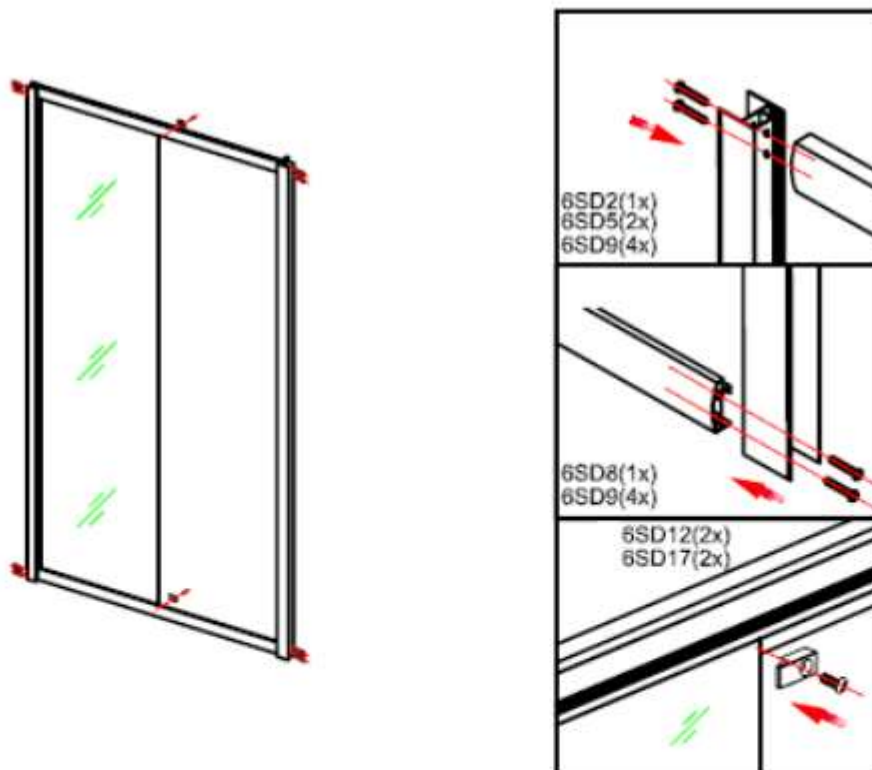


Figure 4

5. Screw the left wall profile(6SD18) ,as showed in figure 5.

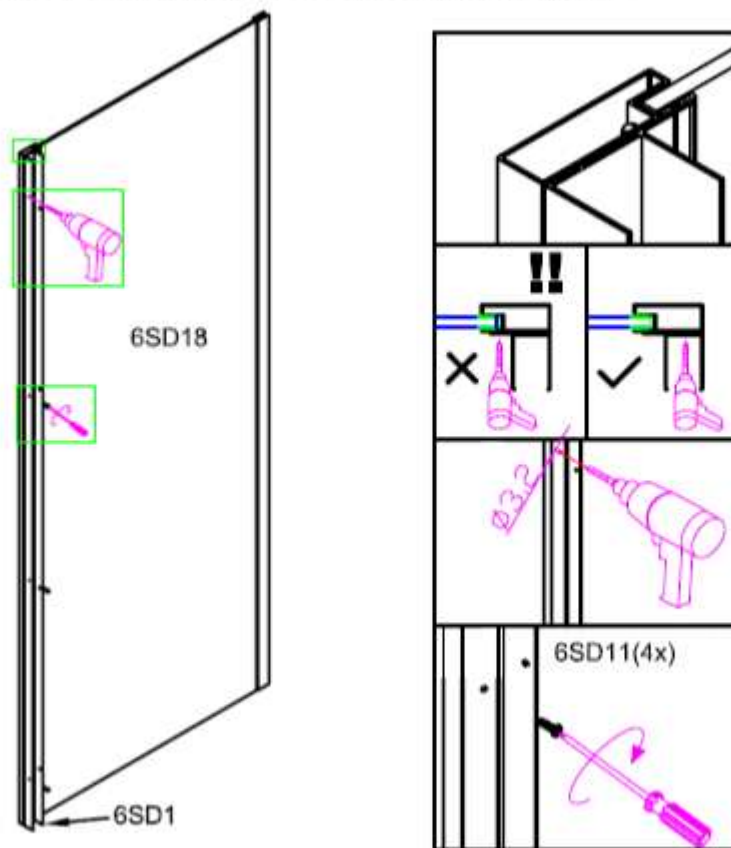


Figure 5

6. Move the whole set front panel to the wall profile(6SD1),as showed in figure 6.

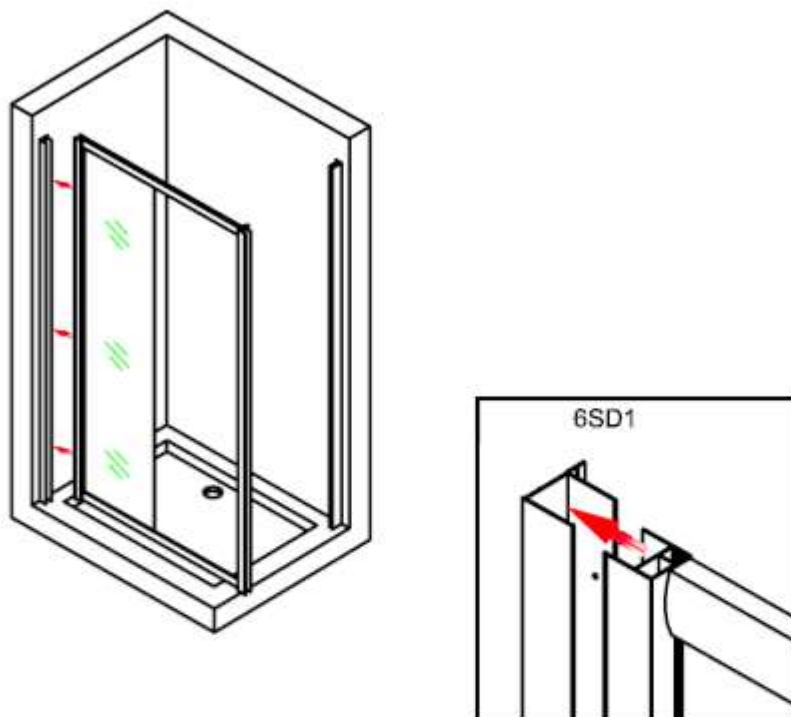


Figure 6

7. Adjust the wall profile with the fixed profile, as shown in figure 7.

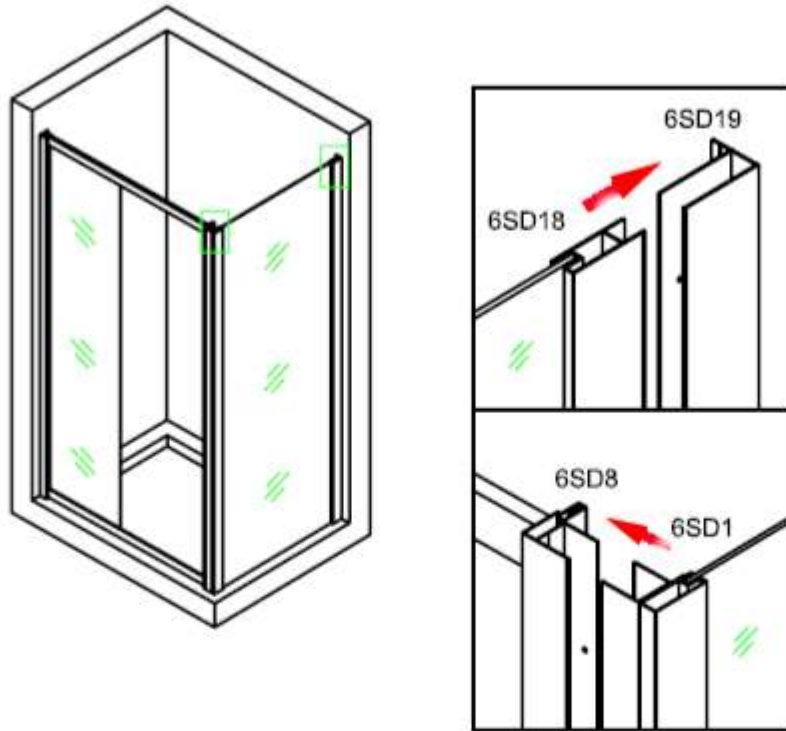


Figure 7

8. Fasten the wall profile with the fixed profile with screw (6SD11). Hang the top roller into the top rail profile and clip the bottom single roller into the bottom rail profile, as shown in figure 8.

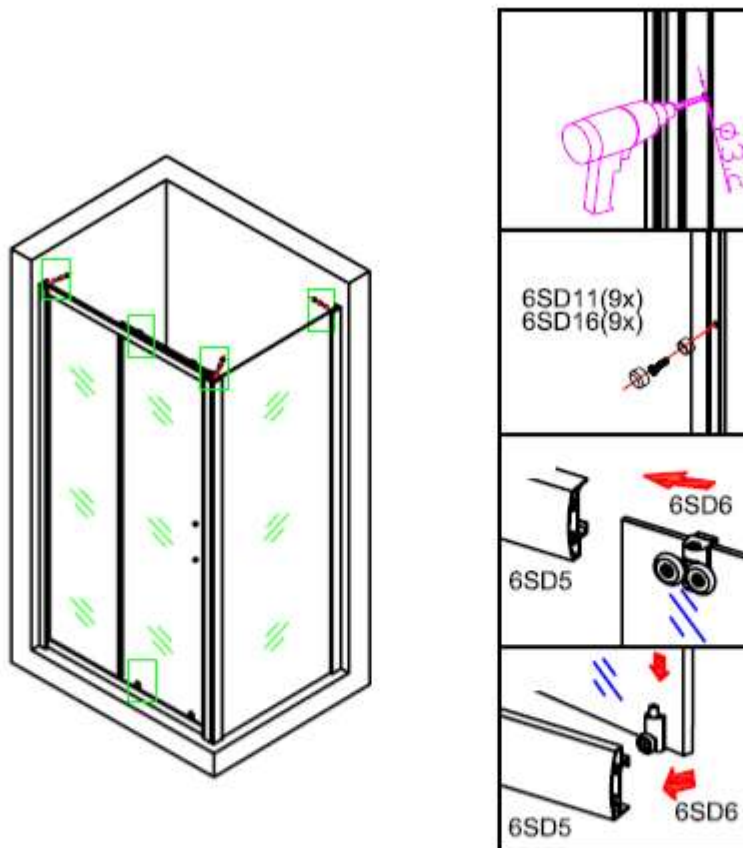


Figure 8

9. Click the strips(6SD4) to the glass panel and install the handle ,as showed in figure 9.

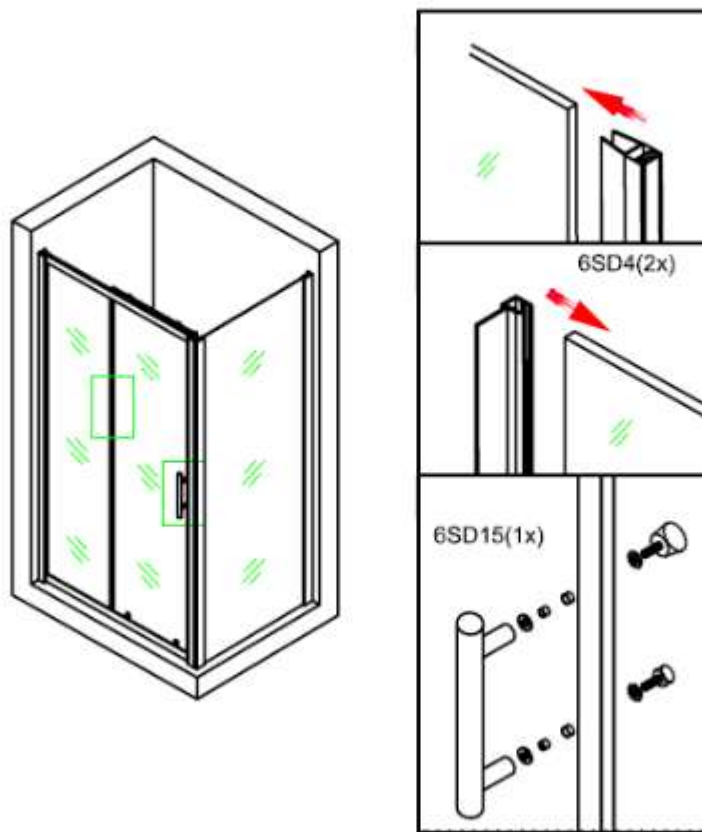


Figure 9

10. Install the top and bottom rubber stoppers,.Finally,at all points connected to the wall,shower tray,floor and profiles,use silicone sealant only on the outside of the shower enclosure,as showed in figure 10

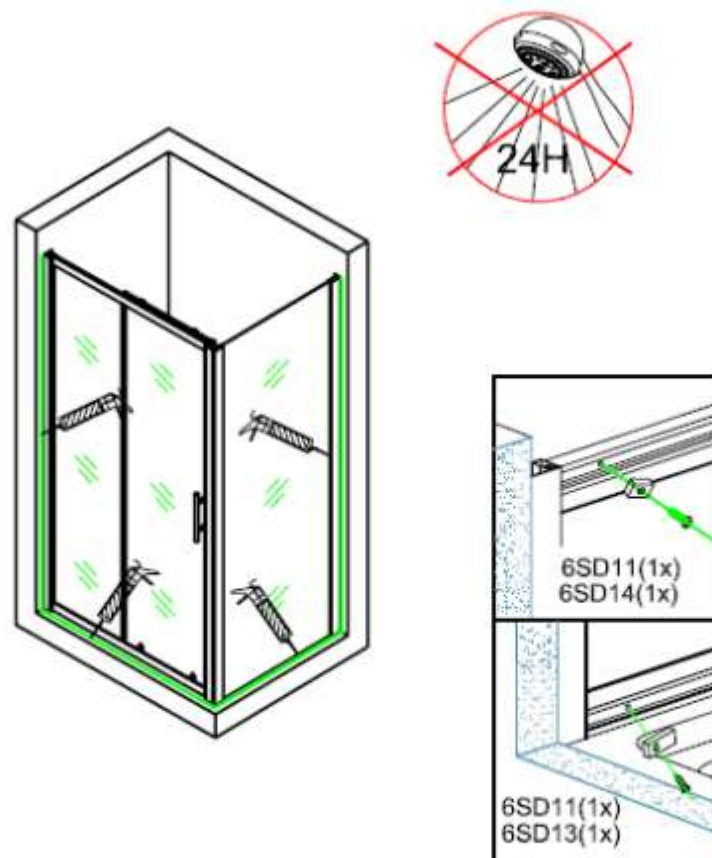


Figure 10

## **Cleaning & Maintenance**

Don't clean the shower enclosure with irritant detergent such as alcohol,bleach or other chemical cleaners.

Only clean with warm soapy water.

After the installation is completed,should you find that there is notable noise when the glass door moves,you may add a small quantity of lubricant onto the roller wheel,slipping hook and the track.



Eastbrook Road, Gloucester GL4 3DB  
Technical Helpline: 01452 317890  
email: [technical@eastbrookco.com](mailto:technical@eastbrookco.com)