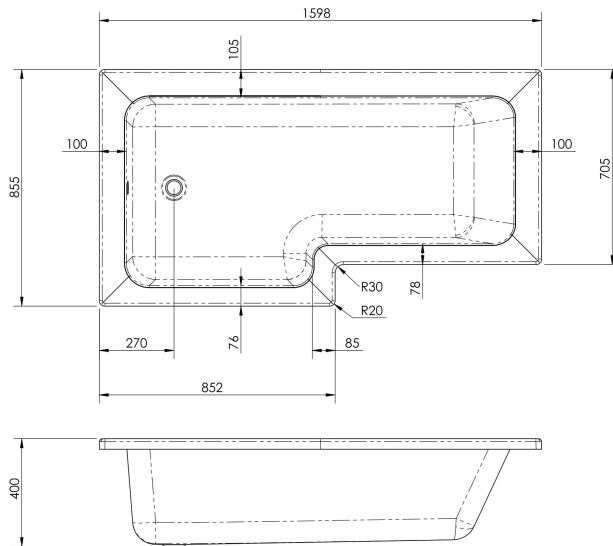


Sales Code: WBS1685L

Description: Square Shower Bath L/H 1600X850



Packaging Details

Barcode: 5056211822295

Sales Code: WBL001

Description: Bath Leg Set



Product Dimensions

| | |
|-------------------|-----|
| Length (mm): | |
| Width (mm): | 600 |
| Depth (mm): | 60 |
| Nett Weight (kg): | 2.5 |

Packaging Dimensions

| | |
|--------------------|-----|
| Length (mm): | 600 |
| Width (mm): | 60 |
| Depth (mm): | 60 |
| Gross Weight (kg): | 2.5 |

Packaging Data

| | |
|---------------|------------------------|
| Box Colour: | Brown Cardboard Sleeve |
| Box Qty: | 1 |
| Label Size: | 100 x 50 |
| Label Colour: | White Label |
| Label Qty: | 2 |

Outer Box Dimensions (If Applicable)

| | |
|--------------------|---------------|
| Length (mm): | |
| Width (mm): | |
| Height (mm): | |
| Gross Weight (kg): | |
| Barcode: | 5056211809197 |

Product Details

| | |
|----------------------|----------|
| Country of Origin: | Poland |
| Fitting Instruction: | No |
| Certification: | FSC: CE: |

Material Colour Reference:

Product Material:

Material Thickness:

Volume (Ltr):

Displaced Capacity:

Leg Set Included:

Waste Included:

Drilled/Undrilled:

Includes Grips:

Embossed:

No of Tapholes:

Anti-Slip: