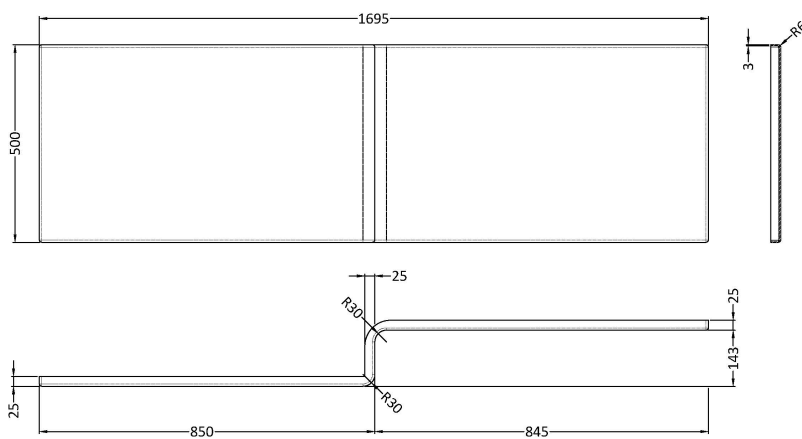
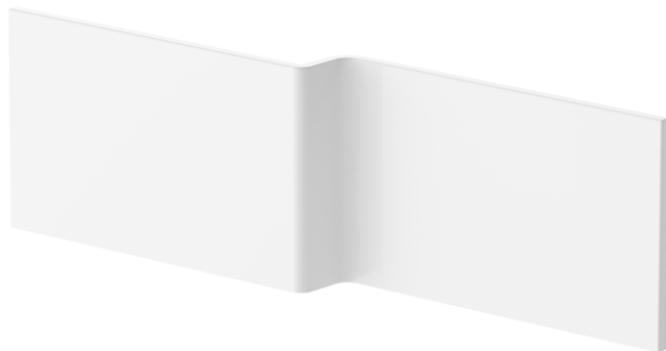


Sales Code: WBS300

Description: 1700 Sq Showerbath Front Panel Cw Fixing



Product Dimensions

Length (mm):	1695
Width (mm):	500
Depth (mm):	167
Nett Weight (kg):	3.4

Packaging Dimensions

Length (mm):	1720
Width (mm):	515
Depth (mm):	35
Gross Weight (kg):	3.4

Packaging Data

Box Colour:	Polybagged With End Caps
Box Qty:	1
Label Size:	300 x 35
Label Colour:	White Label
Label Qty:	1

Outer Box Dimensions (If Applicable)

Length (mm):	
Width (mm):	
Height (mm):	
Gross Weight (kg):	
Barcode:	5055369083596

Product Details

Country of Origin:	Turkey
Fitting Instruction:	No
Certification:	FSC: CE & UKCA:
Material Colour Reference:	European White
Product Material:	Acrylic
Material Thickness:	2mm
Volume (Ltr):	N/A
Displaced Capacity:	N/A
Leg Set Included:	Not Applicable
Waste Included:	Not Applicable
Drilled/Undrilled:	Not Applicable
Includes Grips:	Not Applicable
Embossed:	Not Applicable
No of Tapholes:	Not Applicable
Anti-Slip:	Not Applicable