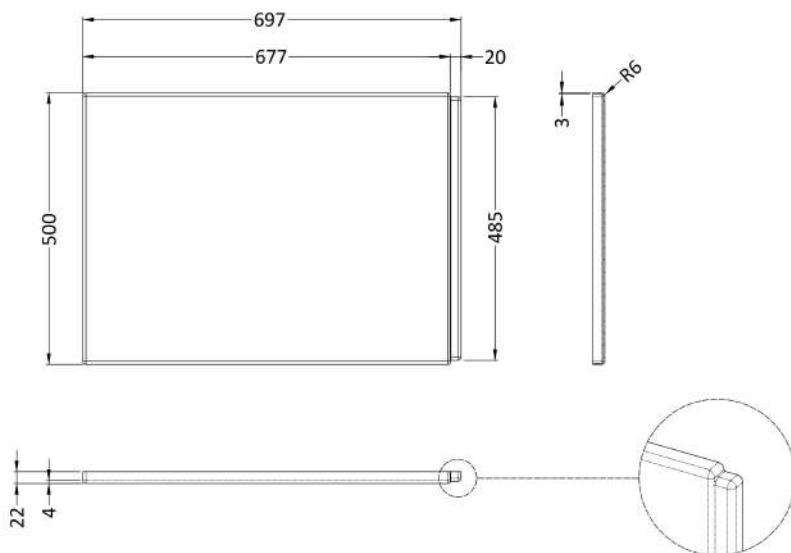


Sales Code: WBS301

Description: Square Showerbath End Panel



### Product Dimensions

Length (mm):	697
Width (mm):	500
Depth (mm):	26
Nett Weight (kg):	1.4

### Packaging Dimensions

Length (mm):	705
Width (mm):	500
Depth (mm):	40
Gross Weight (kg):	1.4

### Packaging Data

Box Colour:	Polybagged With End Caps
Box Qty:	1
Label Size:	100 x 50
Label Colour:	White Label
Label Qty:	1

### Outer Box Dimensions (If Applicable)

Length (mm):	
Width (mm):	
Height (mm):	
Gross Weight (kg):	
Barcode:	5055369083602

### Product Details

Country of Origin:	Turkey
Fitting Instruction:	No
Certification:	FSC: CE & UKCA:
Material Colour Reference:	European White
Product Material:	Acrylic
Material Thickness:	2mm
Volume (Ltr):	N/A
Displaced Capacity:	N/A
Leg Set Included:	Not Applicable
Waste Included:	Not Applicable
Drilled/Undrilled:	Not Applicable
Includes Grips:	Not Applicable
Embossed:	Not Applicable
No of Tapholes:	Not Applicable
Anti-Slip:	Not Applicable