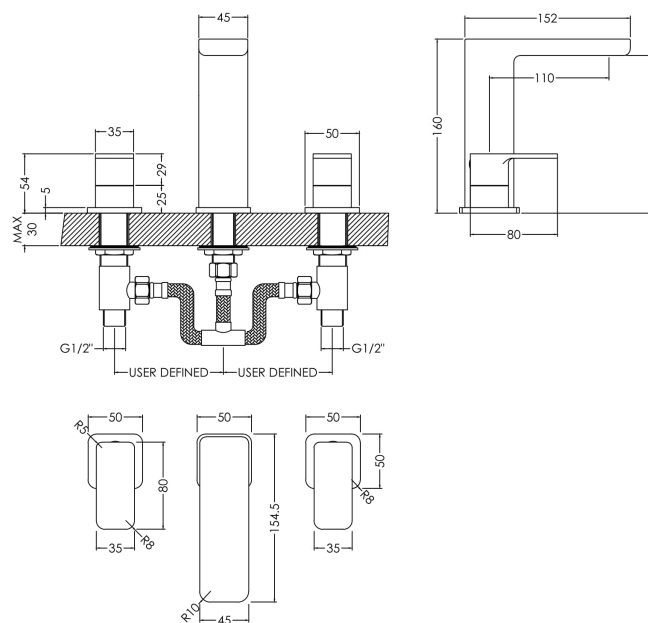


Sales Code: WIN337

Description: Windon D/M 3Th Basin Mixer & Waste



### Product Dimensions

Height (mm):	160
Width (mm):	250
Depth (mm):	152
Length (mm):	
Nett Weight (kg):	2.68

### Packaging Dimensions

Height (mm):	155
Width (mm):	235
Depth (mm):	335
Gross Weight (kg):	2.68

### Packaging Data

Box Colour:	White Cardboard Box
Box Qty:	1
Label Size:	100 x 50
Label Colour:	White Label
Label Qty:	1

### Outer Box Dimensions (If Applicable)

Height (mm):	510
Width (mm):	335
Depth (mm):	290
Length (mm):	

Gross Weight (kg):	
Barcode:	5056211898269

### Product Details

Country of Origin:	China
Fitting Instruction:	Yes
Product Material:	Brass
Control Type:	Manual
Waste Included:	Waste Included
Waste Type:	Pop-Up
WRAS Approval: No	Approval No: N/A
Valve/Cartridge Type:	1/4 Turn Ceramic Disc
Colour/Finish:	Chrome
Mount Type:	Deck
Operating Pressure (bar):	0.2

Flow Rates: (Litres Per Min)	0.1 bar: 2.9	0.5 bar: 8.4	1 bar: 12.4	2 bar: 18.3	3 bar: 22.7
Pipe Size:	1/2"				
Pipe Centres:	100				