



### ILLUSTRATED

WL600322H HURON SIT-TIGHT V2 TOILET SEAT

### CONFIGURATIONS

N/A

### MATERIAL

Polypropylene

### COLOURS

White

### WEIGHT

0.80kg

### PACKAGING

Full Colour Box

### FREQUENTLY USED APPLICATIONS

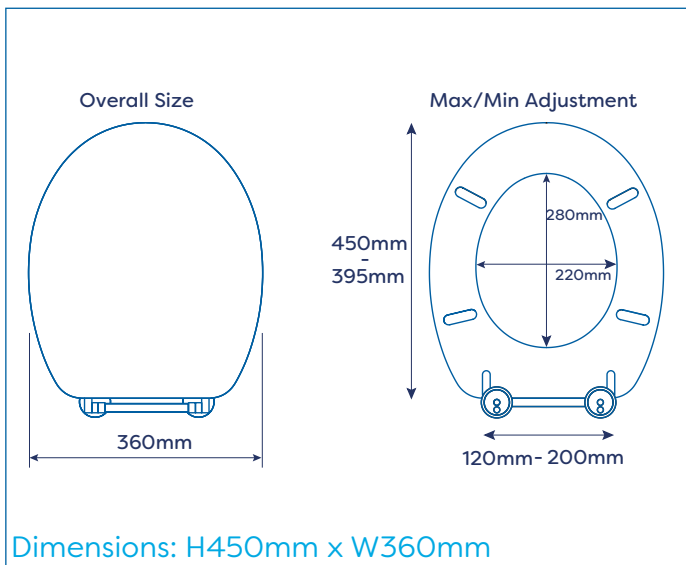
Residential  
Commercial

### FEATURES

Adjustable hinges fit all standard toilets.  
All fittings included.

### CARE AND MAINTENANCE

Clean surfaces with a damp cloth and wipe dry using a soft cloth.  
Do not use chemical or abrasive cleaners as these may damage the surface finish.



Dimensions: H450mm x W360mm

### GUARANTEE

Consumer Statutory Rights Apply

Tel: +44 (0) 1264 365881  
Fax: +44 (0) 1264 356437  
Email: [info@croydex.co.uk](mailto:info@croydex.co.uk)  
Web: [www.croydex.com](http://www.croydex.com)

Printed material, designs and packaging are protected by copyright and design right.

Date Created:22/11/21 | REV 001