



ILLUSTRATED

WL601422H Grasmere Toilet Seat

CONFIGURATIONS

MATERIAL

Thermoset Plastic (Urea) Seat
Chrome Plated Zinc Hinges
Chrome Plated ABS Cover Plates

COLOURS

White

WEIGHT

2.15kg

PACKAGING

Full Colour Box

FREQUENTLY USED APPLICATIONS

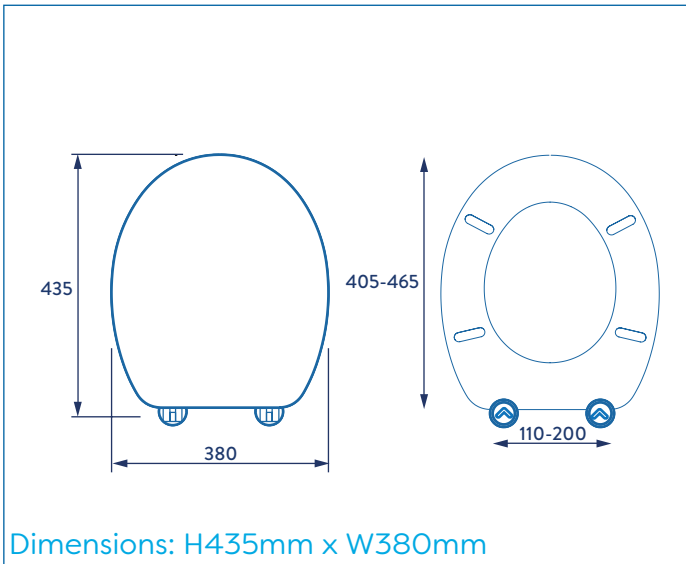
Residential
Commercial

FEATURES

Adjustable hinges fit all standard toilets.
Chrome plated hinges.
All fittings included.

CARE AND MAINTENANCE

Clean surfaces with a damp cloth and wipe dry using a soft cloth.
Do not use chemical or abrasive cleaners as these may damage the surface finish.



Dimensions: H435mm x W380mm

GUARANTEE

Consumer Statutory Rights Apply

Tel: +44 (0) 1264 365881
Fax: +44 (0) 1264 356437
Email: info@croydex.co.uk
Web: www.croydex.com

Printed material, designs and packaging are protected by copyright and design right.

Date Created:18/02/22 | REV 002