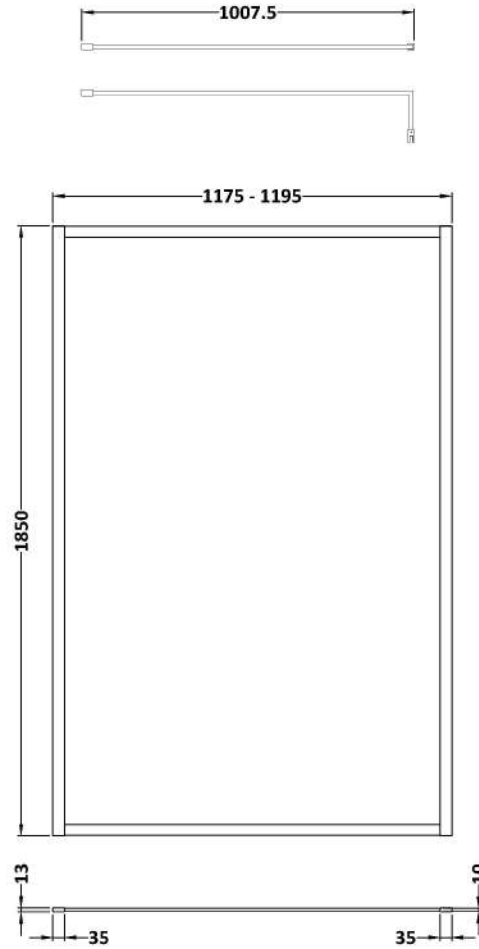


Sales Code: WRFBB1812

Description: Full Frame Wetroom Screen 1850X1200x8mm

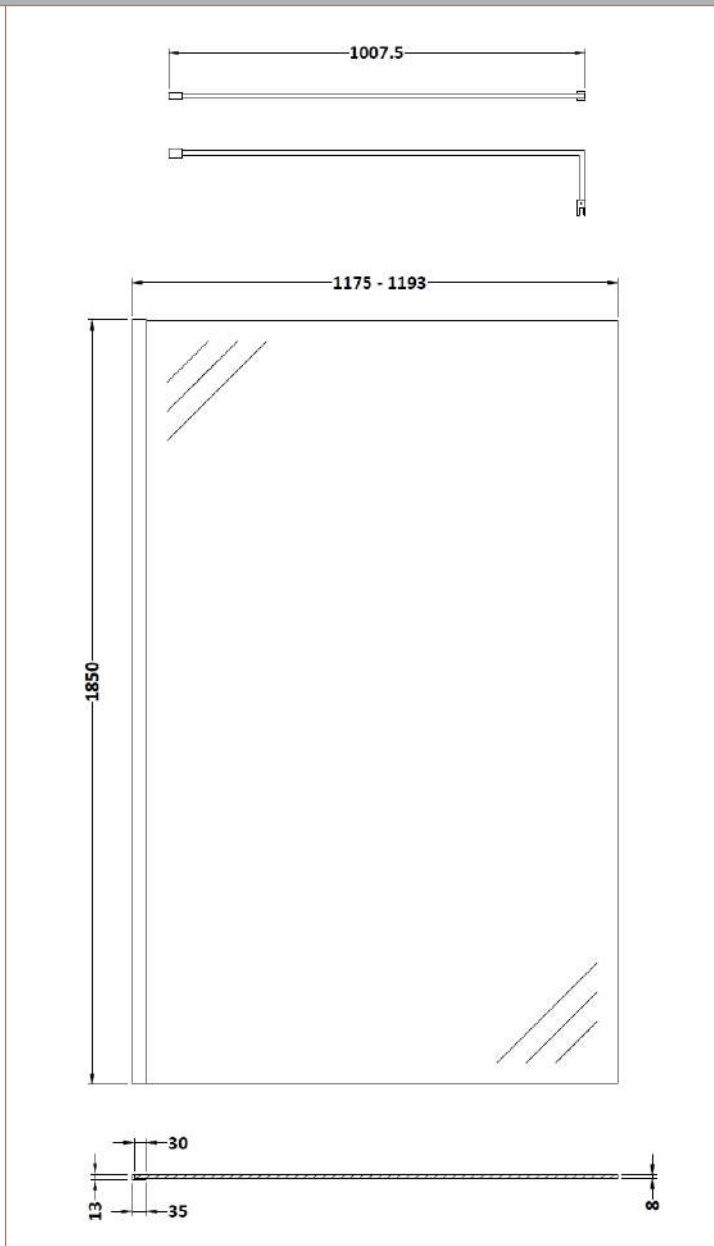
Packaging Details

Barcode: 5056462688664



Sales Code: WRSC12

Description: Wetroom Screen 1200 X 1850 X 8mm



Product Dimensions

| | |
|-------------------|------|
| Height (mm): | 1850 |
| Width (mm): | 1200 |
| Depth (mm): | 14 |
| Nett Weight (kg): | 50.5 |

Packaging Dimensions

| | |
|--------------------|------|
| Height (mm): | 60 |
| Width (mm): | 1250 |
| Length (mm): | 1920 |
| Gross Weight (kg): | 50.5 |

Packaging Data

| | |
|---------------|-------------------------------|
| Box Colour: | Brown Cardboard Box - Printed |
| Box Qty: | 1 |
| Label Size: | 100 x 50 |
| Label Colour: | Not Applicable |
| Label Qty: | 0 |

Outer Box Dimensions (If Applicable)

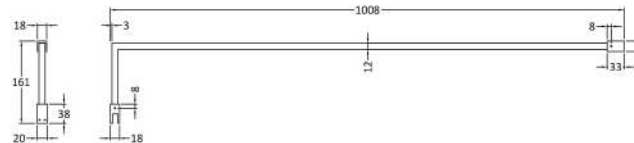
| | |
|--------------------|---------------|
| Height (mm): | |
| Width (mm): | |
| Depth (mm): | |
| Length (mm): | |
| Gross Weight (kg): | |
| Barcode: | 5055275819050 |

Product Details

| | |
|-----------------------|----------------------|
| Country of Origin: | China |
| Fitting Instruction: | No |
| CE Approval: | Yes |
| Profile Material: | Aluminium |
| Profile Finish: | Polished Chrome |
| Adjustments (mm): | 1175mm - 1193mm |
| Entry Width (mm): | N/A |
| Swing In Dim (mm): | N/A |
| Swing Out Dim (mm): | N/A |
| Radius (mm): | Not Applicable |
| Glass Thickness (mm): | 8 |
| Easy Fit: | No |
| Easy Clean: | No |
| Handle Style: | Not Applicable |
| Handle Material: | Not Applicable |
| Enclosure Design: | Frameless |
| Wheel Type: | Not Applicable |
| Support Bar Included: | Support Bar Included |
| Extras: | None |

Sales Code: FIX025

Description: Wetroom Screen Support Arm



Product Dimensions

| | |
|-------------------|------|
| Height (mm): | 15 |
| Width (mm): | 150 |
| Depth (mm): | 1000 |
| Nett Weight (kg): | 0.67 |

Packaging Dimensions

| | |
|--------------------|------|
| Height (mm): | 35 |
| Width (mm): | 160 |
| Length (mm): | 1020 |
| Gross Weight (kg): | 0.7 |

Packaging Data

| | |
|---------------|---------------------|
| Box Colour: | Brown Cardboard Box |
| Box Qty: | 1 |
| Label Size: | 100 x 50 |
| Label Colour: | White Label |
| Label Qty: | 1 |

Outer Box Dimensions (If Applicable)

| | |
|--------------------|---------------|
| Height (mm): | |
| Width (mm): | |
| Depth (mm): | |
| Length (mm): | |
| Gross Weight (kg): | |
| Barcode: | 5056462611884 |

Product Details

| | |
|-----------------------|-----------------|
| Country of Origin: | China |
| Fitting Instruction: | No |
| CE Approval: | N/A |
| Profile Material: | Stainless Steel |
| Profile Finish: | Brushed Brass |
| Adjustments (mm): | N/A |
| Entry Width (mm): | N/A |
| Swing In Dim (mm): | N/A |
| Swing Out Dim (mm): | N/A |
| Radius (mm): | Not Applicable |
| Glass Thickness (mm): | |
| Easy Fit: | Not Applicable |
| Easy Clean: | Not Applicable |
| Handle Style: | Not Applicable |
| Handle Material: | Not Applicable |
| Enclosure Design: | Not Applicable |
| Wheel Type: | Not Applicable |
| Support Bar Included: | |
| Extras: | None |

Sales Code: WRSF013

Description: Wetroom Wall Channel 1850mm Brass



Product Dimensions

| | |
|-------------------|------|
| Height (mm): | 1850 |
| Width (mm): | |
| Depth (mm): | |
| Nett Weight (kg): | 0.6 |

Packaging Dimensions

| | |
|--------------------|------|
| Height (mm): | 60 |
| Width (mm): | 185 |
| Length (mm): | 1860 |
| Gross Weight (kg): | 0.6 |

Packaging Data

| | |
|---------------|-------------------------------|
| Box Colour: | Brown Cardboard Box - Printed |
| Box Qty: | 1 |
| Label Size: | 100 x 50 |
| Label Colour: | White Label |
| Label Qty: | 1 |

Outer Box Dimensions (If Applicable)

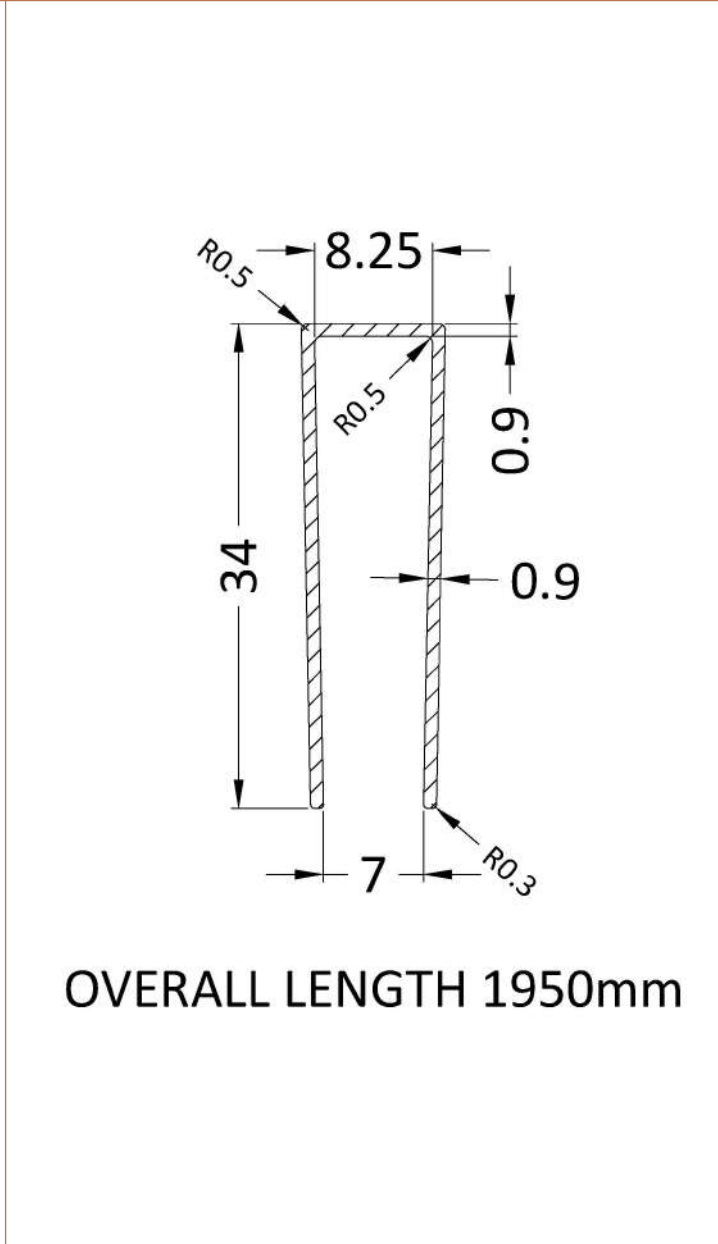
| | |
|--------------------|---------------|
| Height (mm): | |
| Width (mm): | |
| Depth (mm): | |
| Length (mm): | |
| Gross Weight (kg): | |
| Barcode: | 5056462611846 |

Product Details

| | |
|-----------------------|--------------------------|
| Country of Origin: | China |
| Fitting Instruction: | No |
| CE Approval: | N/A |
| Profile Material: | Aluminium |
| Profile Finish: | Brushed Brass |
| Adjustments (mm): | 18mm |
| Entry Width (mm): | N/A |
| Swing In Dim (mm): | N/A |
| Swing Out Dim (mm): | N/A |
| Radius (mm): | Not Applicable |
| Glass Thickness (mm): | |
| Easy Fit: | Not Applicable |
| Easy Clean: | Not Applicable |
| Handle Style: | Not Applicable |
| Handle Material: | Not Applicable |
| Enclosure Design: | Not Applicable |
| Wheel Type: | Not Applicable |
| Support Bar Included: | Support Bar Not Included |
| Extras: | None |

Sales Code: WRSF015UF

Description: 1950mm Undrilled Flat Profile



| Product Dimensions | |
|--------------------------------------|--------------------------|
| Height (mm): | 1950 |
| Width (mm): | 34 |
| Depth (mm): | 13 |
| Nett Weight (kg): | 1.01 |
| Packaging Dimensions | |
| Height (mm): | 45 |
| Width (mm): | 185 |
| Length (mm): | 1970 |
| Gross Weight (kg): | 1.42 |
| Packaging Data | |
| Box Colour: | Brown Cardboard Box |
| Box Qty: | 1 |
| Label Size: | 50 x 100 |
| Label Colour: | White Label |
| Label Qty: | 1 |
| Outer Box Dimensions (If Applicable) | |
| Height (mm): | |
| Width (mm): | |
| Depth (mm): | |
| Length (mm): | |
| Gross Weight (kg): | |
| Barcode: | 5056462618975 |
| Product Details | |
| Country of Origin: | China |
| Fitting Instruction: | No |
| CE Approval: | N/A |
| Profile Material: | Aluminium |
| Profile Finish: | Brushed Brass |
| Adjustments (mm): | 18 mm |
| Entry Width (mm): | N/A |
| Swing In Dim (mm): | N/A |
| Swing Out Dim (mm): | N/A |
| Radius (mm): | |
| Glass Thickness (mm): | |
| Easy Fit: | Not Applicable |
| Easy Clean: | Not Applicable |
| Handle Style: | Not Applicable |
| Handle Material: | Not Applicable |
| Enclosure Design: | Not Applicable |
| Wheel Type: | Not Applicable |
| Support Bar Included: | Support Bar Not Included |
| Extras: | None |