

REINFORCED BATHS

MAGNUS 1700 X 750MM

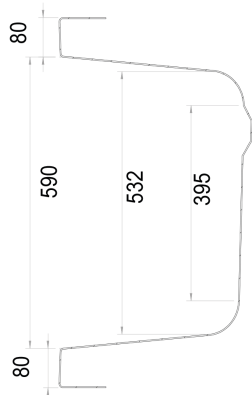
WSBM1775

PRODUCT MAGNUS DOUBLE ENDED

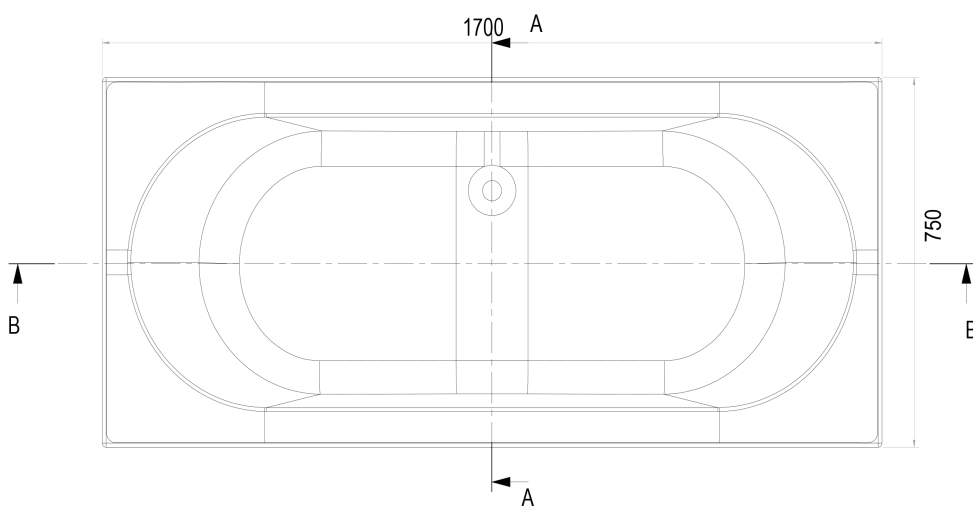
CODE WSBM1775

SIZE 1700 X 750 X 380 (H) MM

COLOUR WHITE



SECTION A-A



SECTION B-B

