

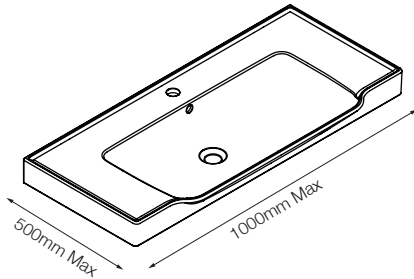
DC14025 - UNIVERSAL WASHSTAND

Chrome Universal Washstand

Please read completely before starting.

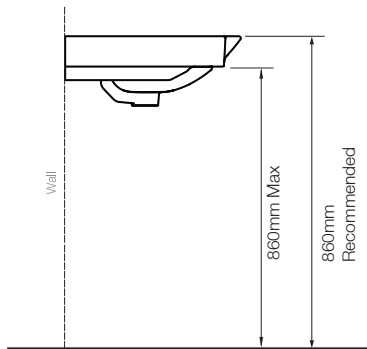
FITTING INSTRUCTIONS

Please make sure your basin's width and depth does not exceed 1000 X 500mm. Maximum height of legs are 860mm. Please make sure the warnings and after-care instructions are made available for the end user to read.



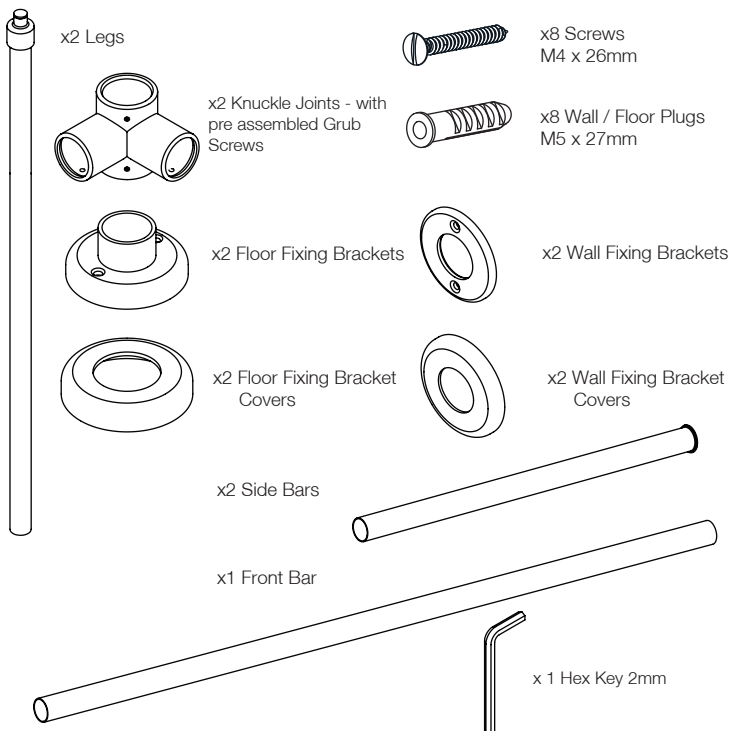
FITTING GUIDE

Position the basin such that the main surface is 860mm from the floor.



Ensure the basin is firmly secured to the wall using appropriate basin fixings before proceeding with the installation of the Washstand, fix the basin in accordance with the manufacturers instructions.

COMPONENT LIST

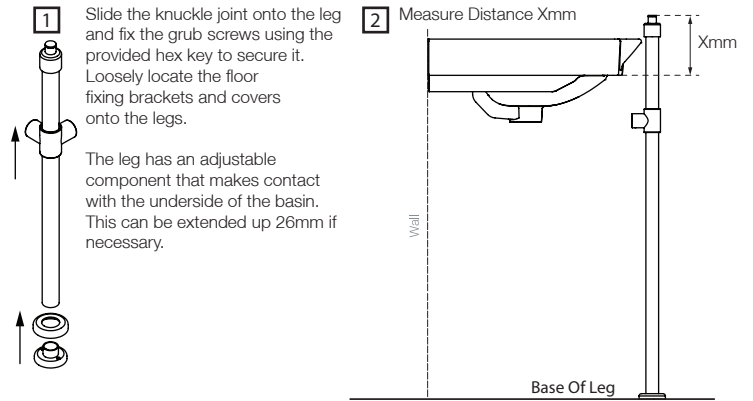


ADJUSTING YOUR WASHSTAND PRIOR TO FIXING

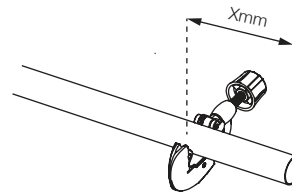
The Legs, Side Bars and Front Bar can all be cut down to suit the basin you are installing. Use a metal pipe cutter with an adjustable cutting diameter. To accommodate Ø28 + Ø26mm tube.

CUTTING THE LEGS

Only follow this section if you want to lower the height of the legs.

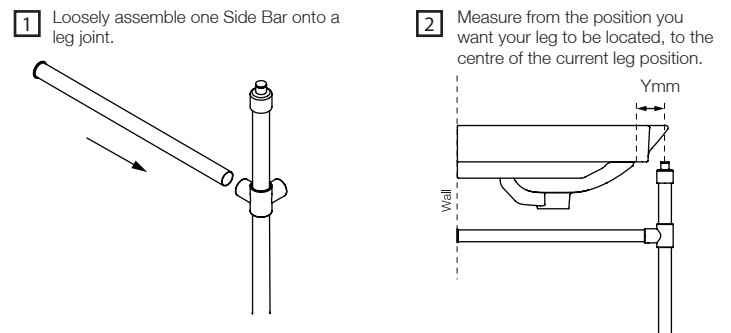


3 Cut distance X from the base of the leg. Cut the same distance on both legs.



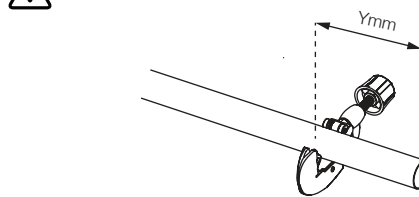
CUTTING THE SIDE BARS

Only follow this section if you want to shorten the depth of the Side Bars.



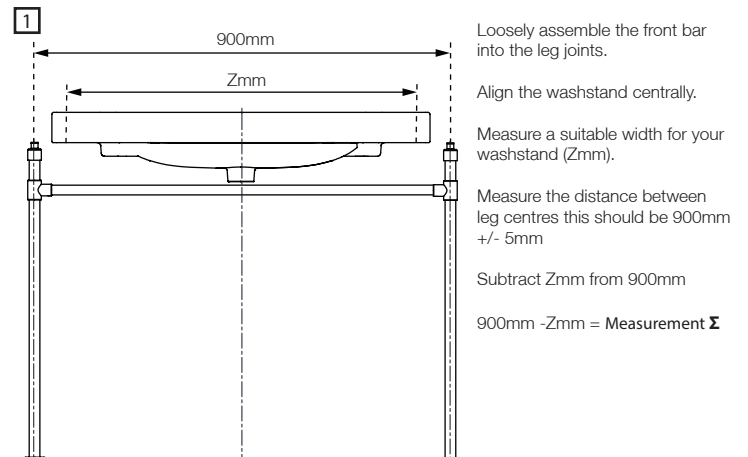
3 Remove the side bar from the joint and cut distance Y on both bars.

IMPORTANT - Do not cut the end with the flange. Only cut the plain end.

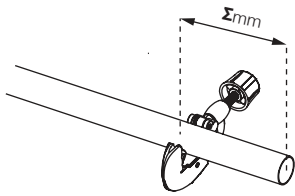


CUTTING THE FRONT BAR

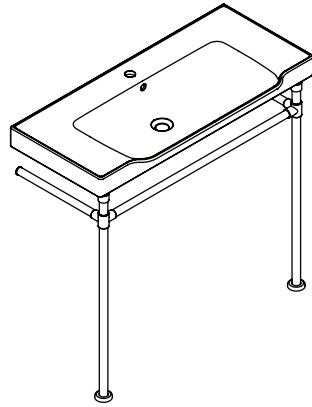
Only follow this section if you want to shorten the width of the front bar.



- 3 Remove the front bar from the leg joints and cut Measurement Σ on one side.

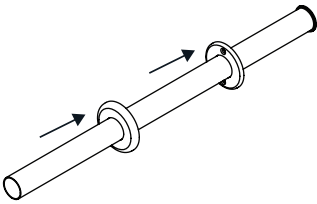


The washstand should now fit under your basin to your desired dimensions.

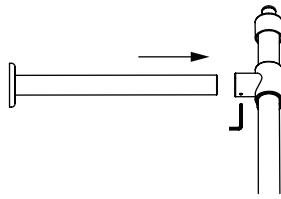


FIXING AND SECURING YOUR WASHSTAND

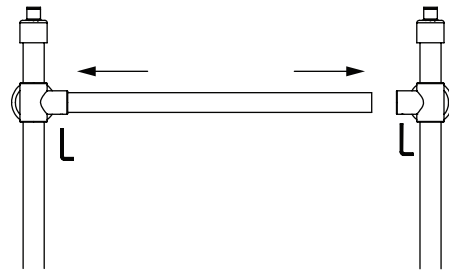
- 1 Slide the wall fixing brackets and the wall fixing bracket covers onto the side bars to cover the flanged edge.



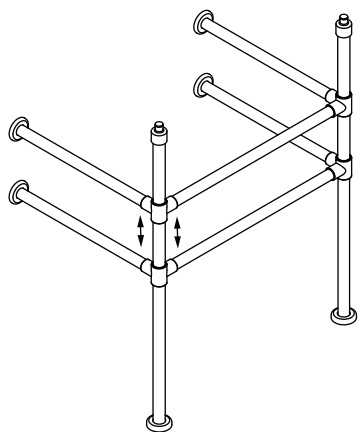
- 2 Slide the side bars into the leg joints and fix the grub screws with the Hex key provided.



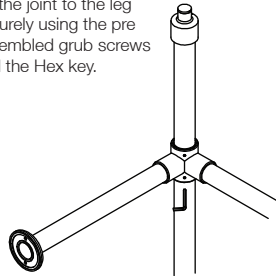
- 3 Slide the front bar into the remaining leg joints. Secure with Hex key provided.



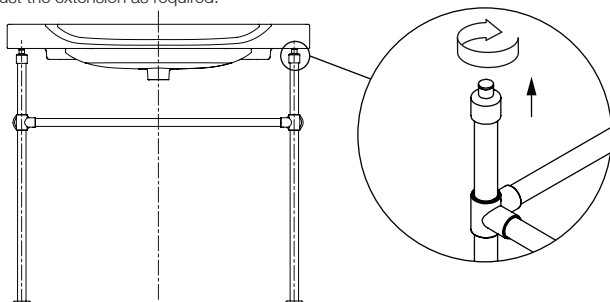
- 4 Adjust the height of the front bar and side bars by sliding the leg joint up and down until you have the desired height.



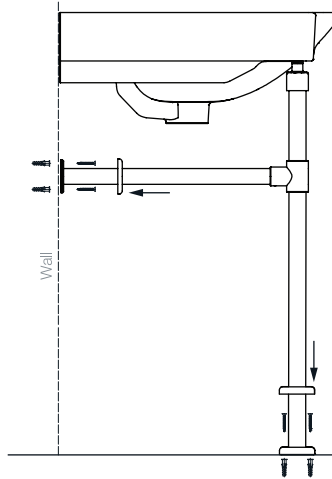
- 5 Once you have your desired height, level both joints using a Spirit level. Fix the joint to the leg securely using the pre assembled grub screws and the Hex key.



- 6 Make sure your floor fixing brackets and covers are located on the bottom of the legs. Align the washstand centrally with the basin and adjust the extension as required.

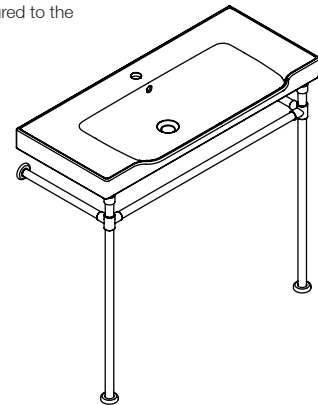


- 7 Once the washstand is aligned and level, mark out and drill the pilot holes using a suitable drill bit. Insert the wall / floor plugs. Using the screws provided fix the washstand to the wall and the floor. Place the fixing bracket covers over the fixing brackets.



IMPORTANT
Wear suitable eye protection when drilling. Take care when using power tools near water. The use of a residual current device (RCD) is advised. Beware of hidden cables or pipes. Take care if drilling on tiled surfaces in case the drill slips. Use masking tape to help prevent drill from moving out of alignment.

The Washstand should now fit your basin and be secured to the wall and floor.



! WARNINGS

- The fittings pack contains small items which should be kept away from young children.
- The washstand can be dangerous if incorrectly installed. Assembly should be carried out by a competent person. No liability will be accepted for damage or injury caused by incorrect product installation or assembly.
- The washstand is not suitable for hanging heavy items on.

AFTERCARE INSTRUCTIONS



Clean surfaces with a soft damp cloth and mild soap solution



Do not scrub or scour



Do not use abrasive cleaning agents.



Do not stand or climb on the washstand

For Technical Help Call:
01225 787 870