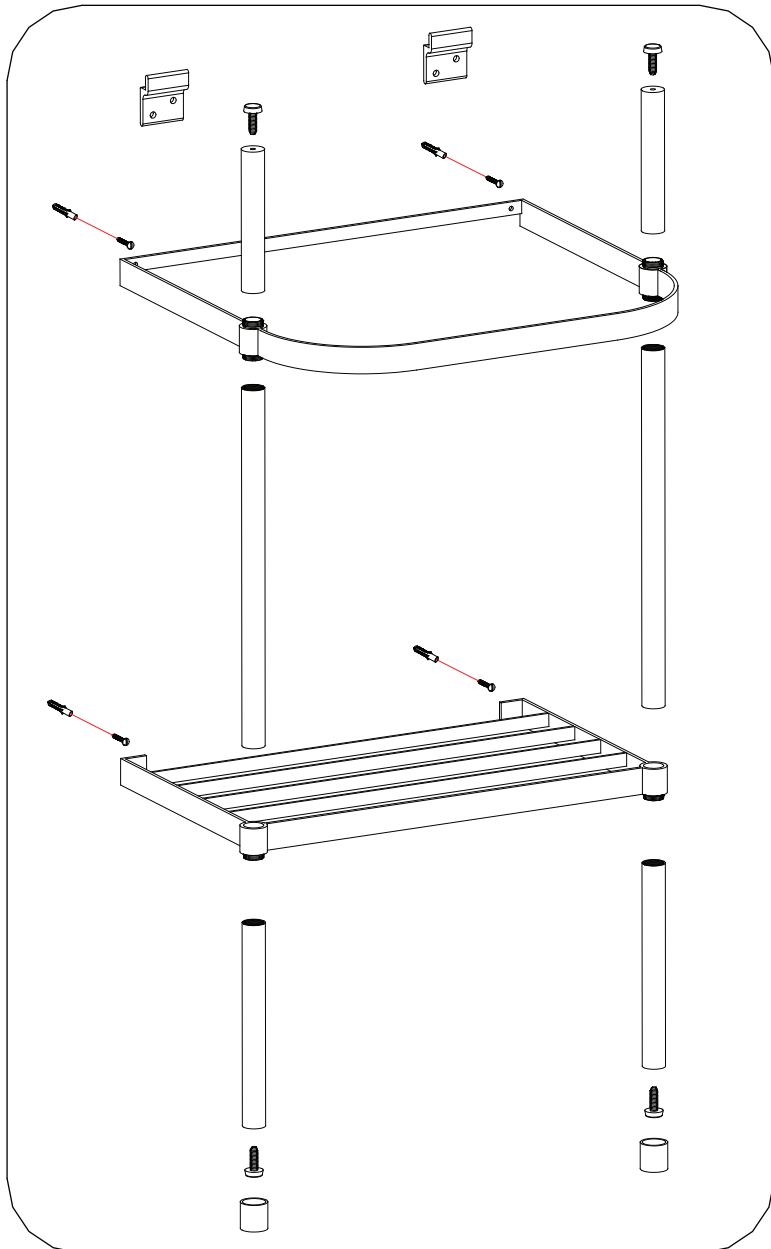
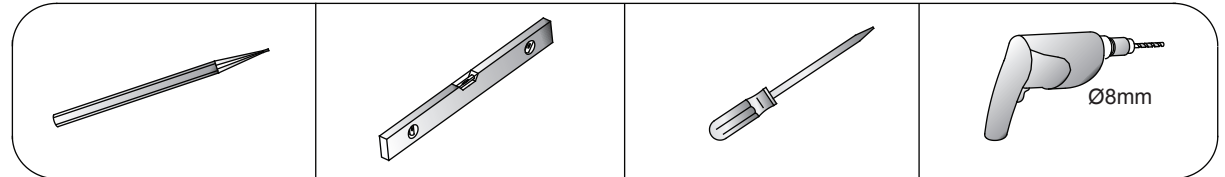


Roll Top Basin Stand	B7ES
Roll Top Basin Stand	B8ES
Roll Top Basin Stand	B9ES
Roll Top Basin Stand	B10ES

Parts supplied:



Tools required:



Important

- Please unwrap and check it carefully to ensure it has not been damaged in handling or transport.
- Please check that all parts have been supplied.
- Assemble basin stand on a mat to protect against scratch the surface.
- Installation should be completed by a suitably competent person.
- The wall fixings supplied may not be suitable for your installation. You may need to source alternatives depending on the material and strength of the wall you are fixing to.
- Please dispose of packaging in a responsible manner.

Maintenance

Clean with a damp cloth and washing up liquid or other mild detergent. Do not use strong detergents or cleaners containing abrasives which may scratch the surface.

