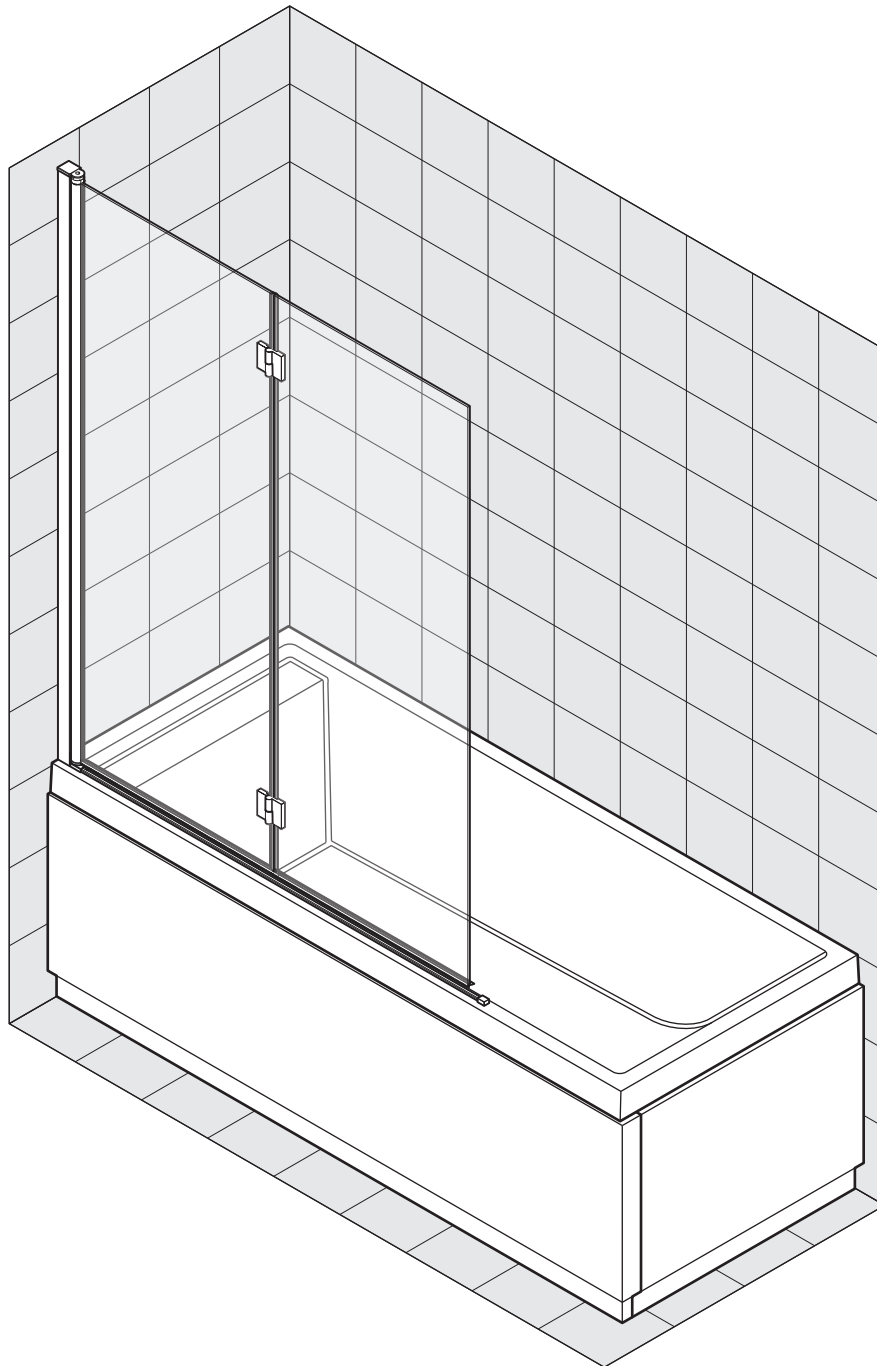
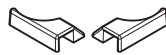
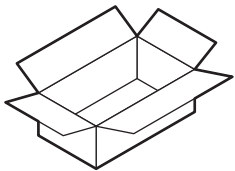
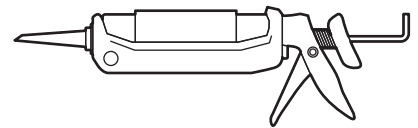
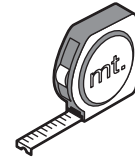
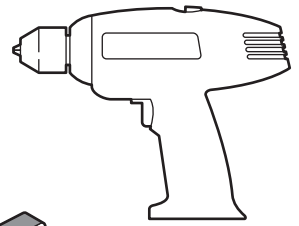
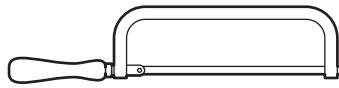
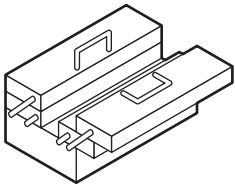


1BSV





x1



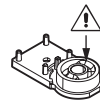
x1



x1



x1



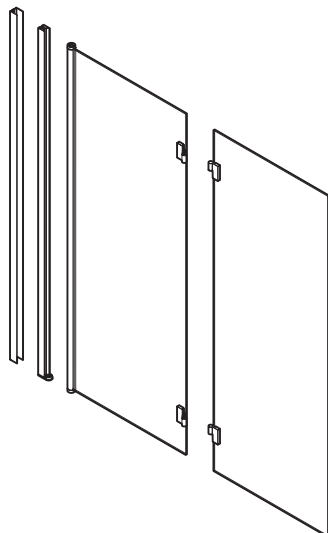
x1



x1



x1



FU8x50 x2



3,5x32 x2



3,5x9,5 x2



4,5x60 x2



M3x6 x4



x2



x2



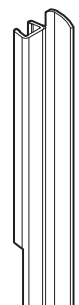
x1



x2



x2

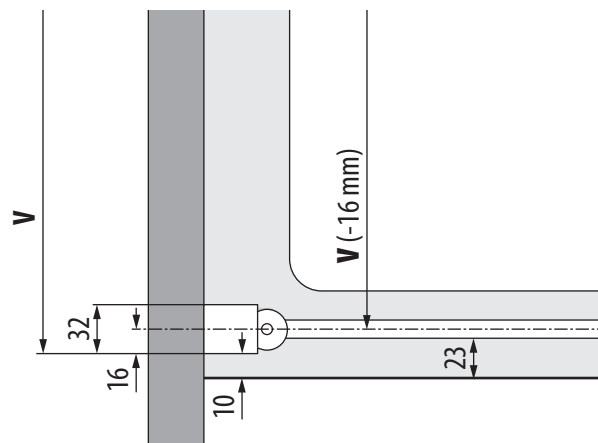
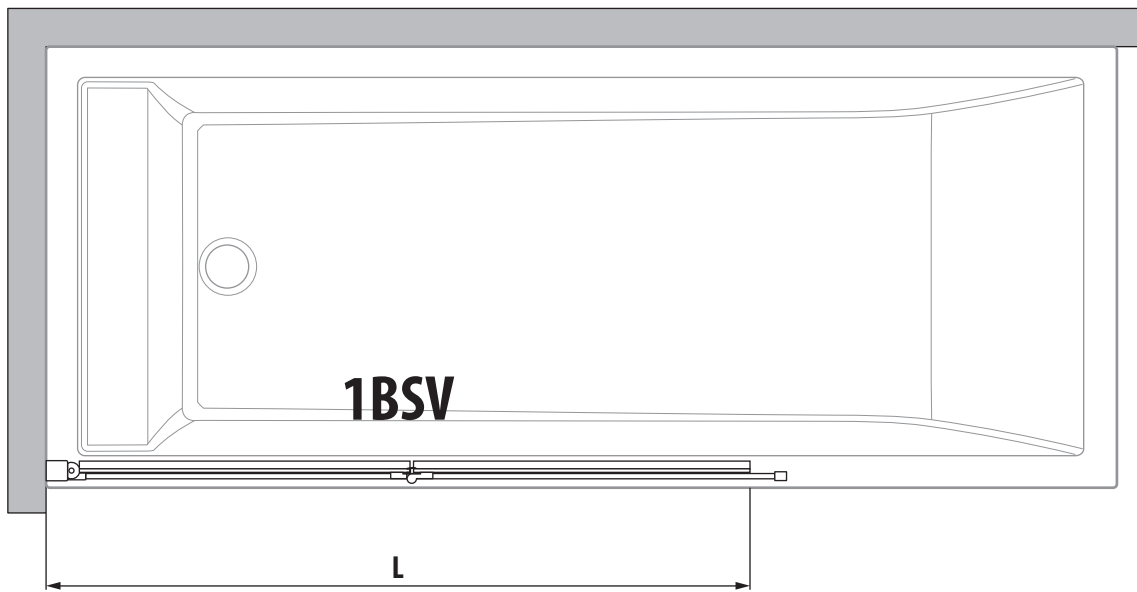


x1

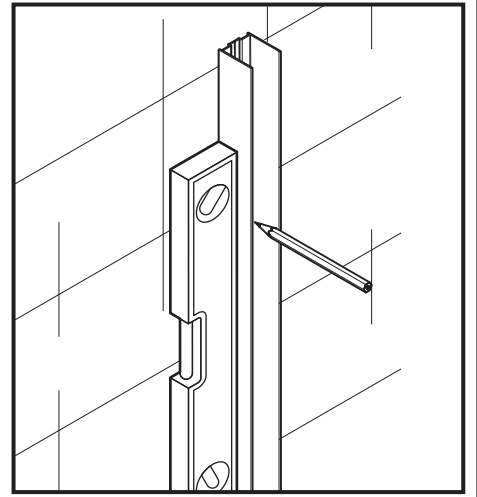
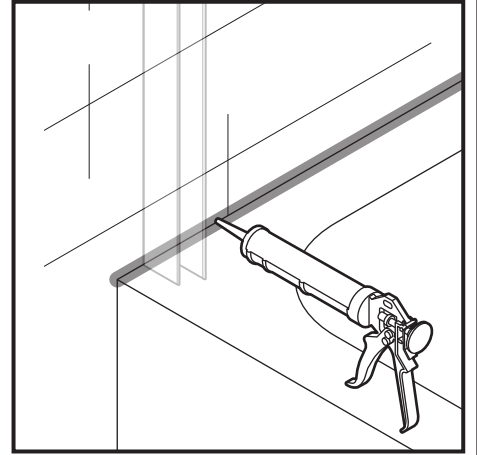
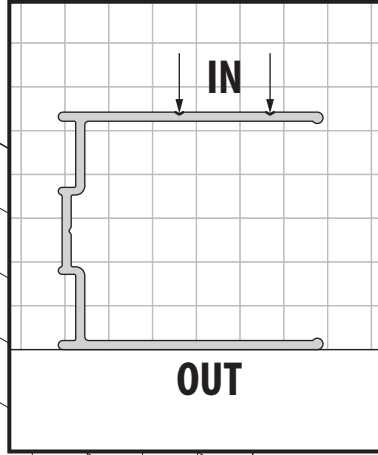
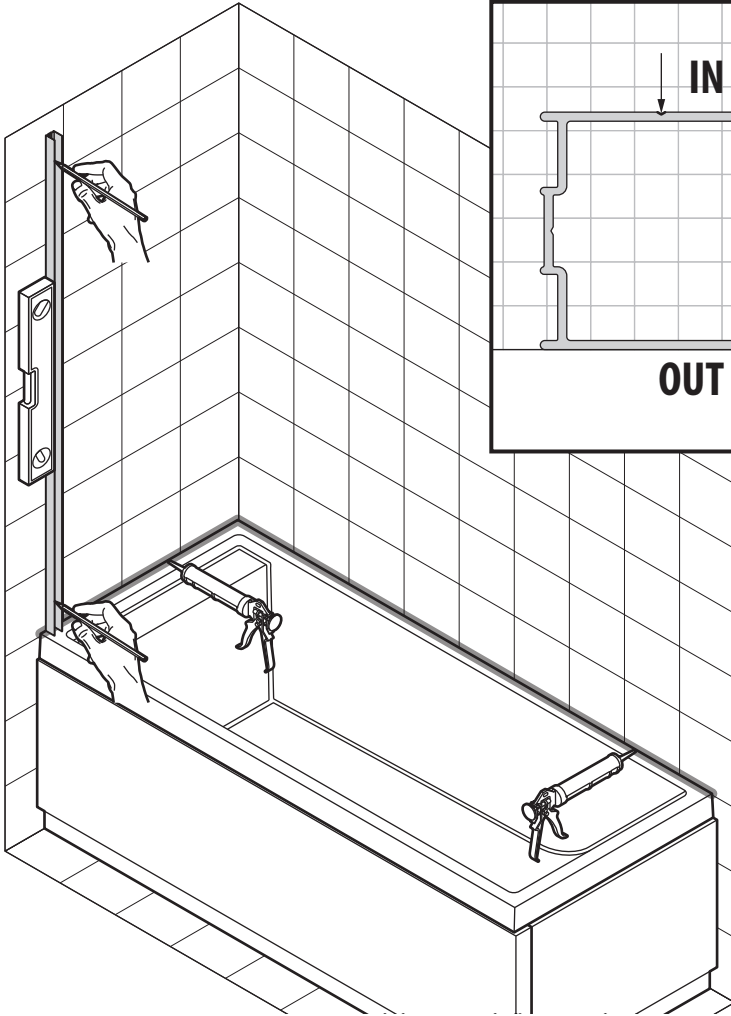


x1

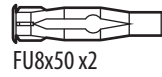
1BSV	L mm
120D	1200
120S	1200



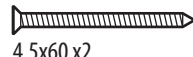
1



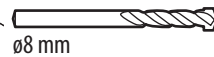
2



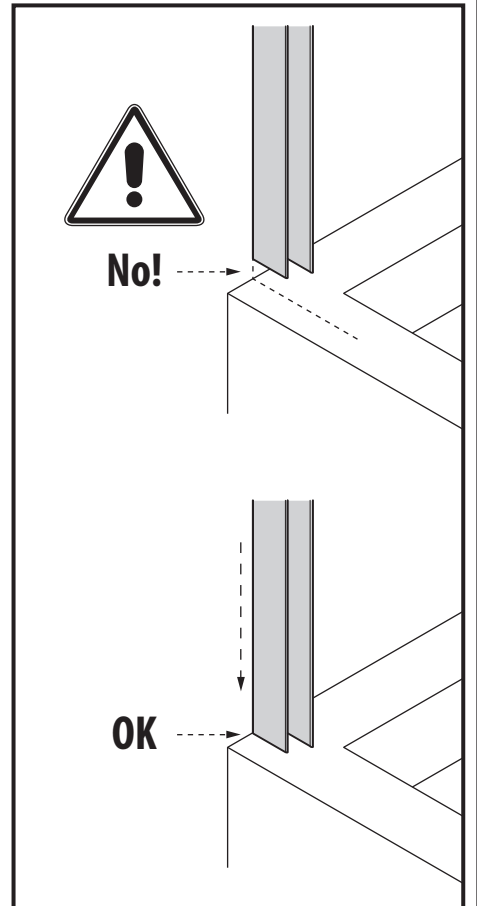
FU8x50 x2



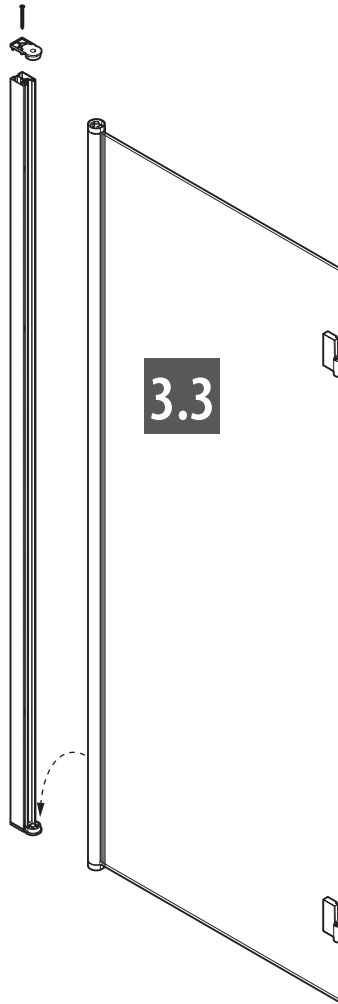
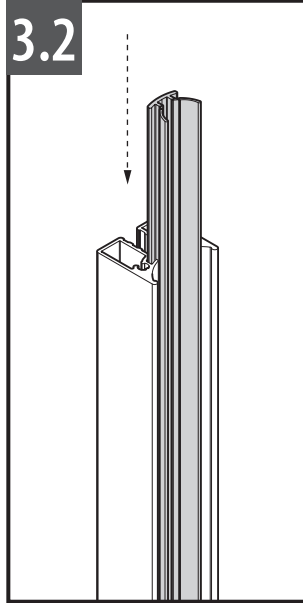
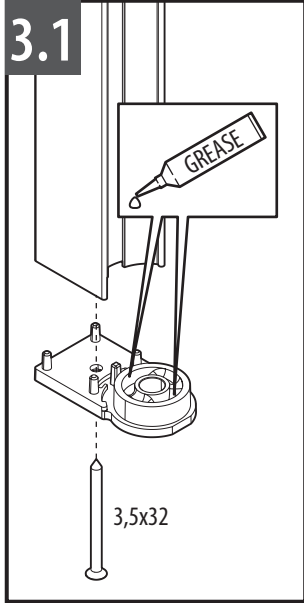
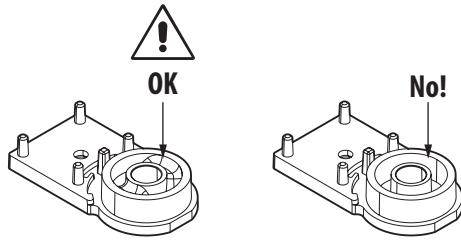
4,5x60 x2



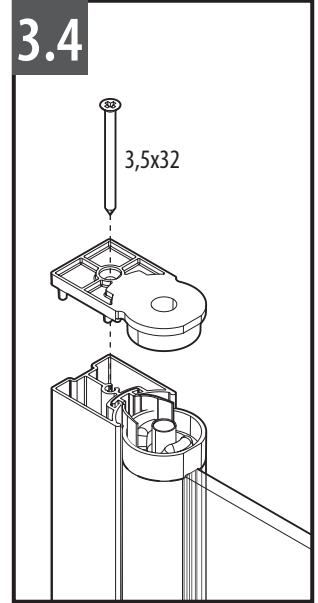
ø8 mm



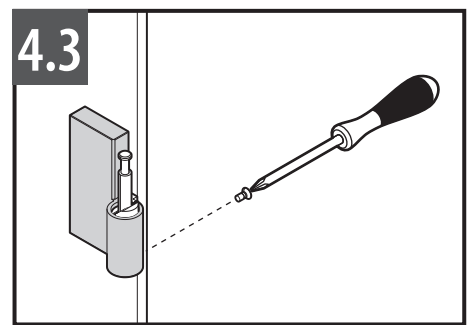
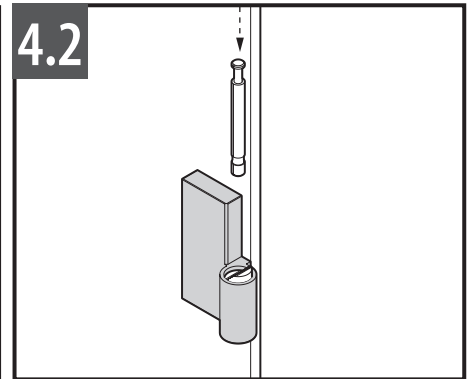
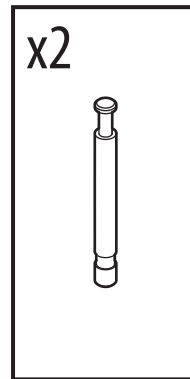
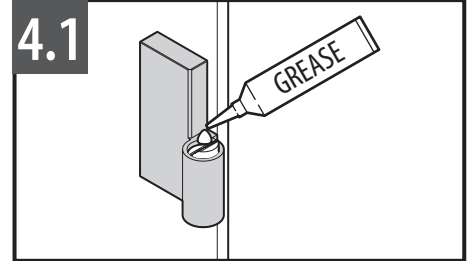
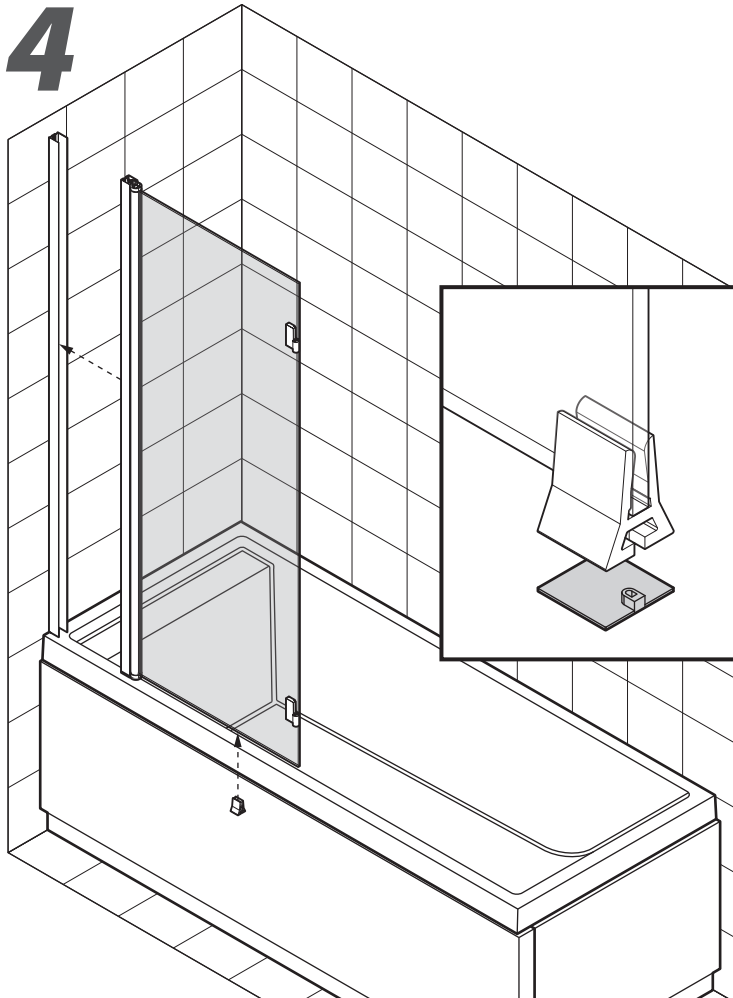
3



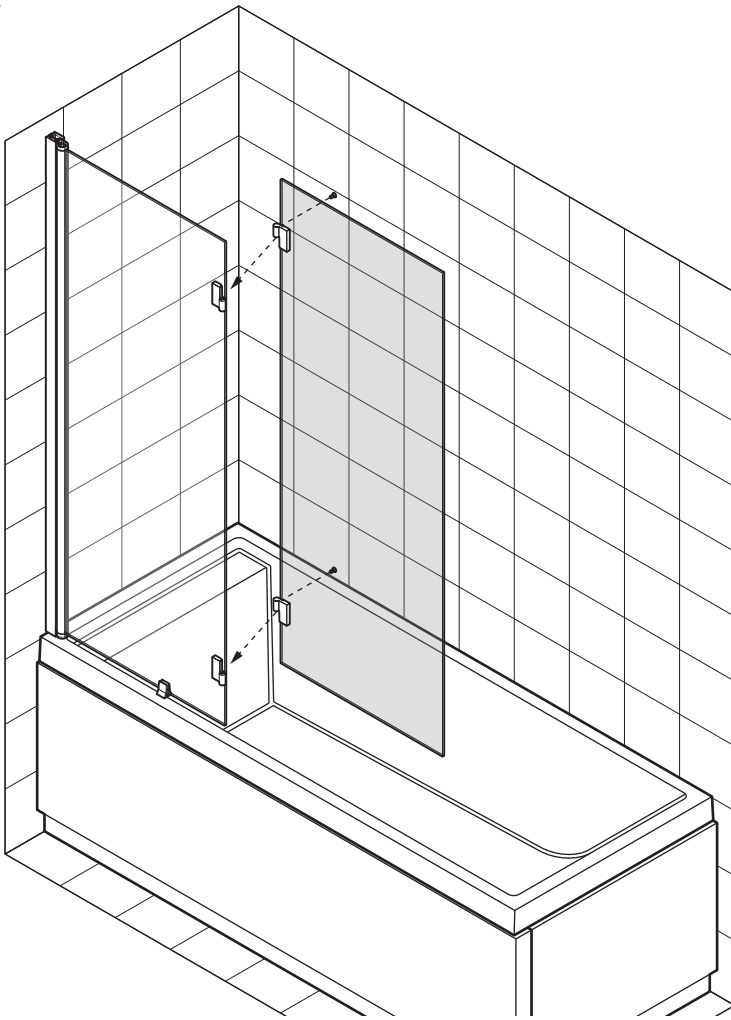
3.3



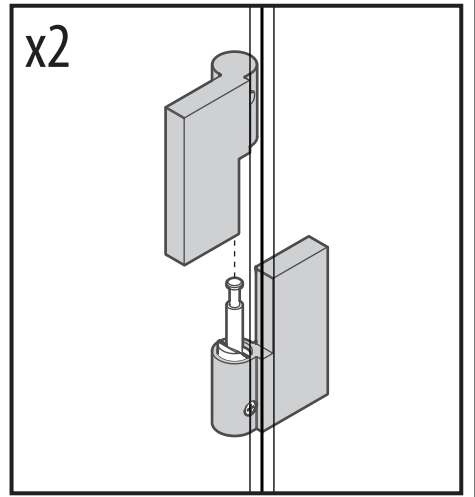
4



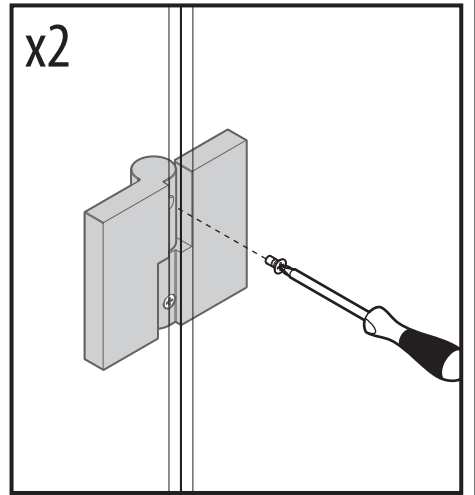
5



x2

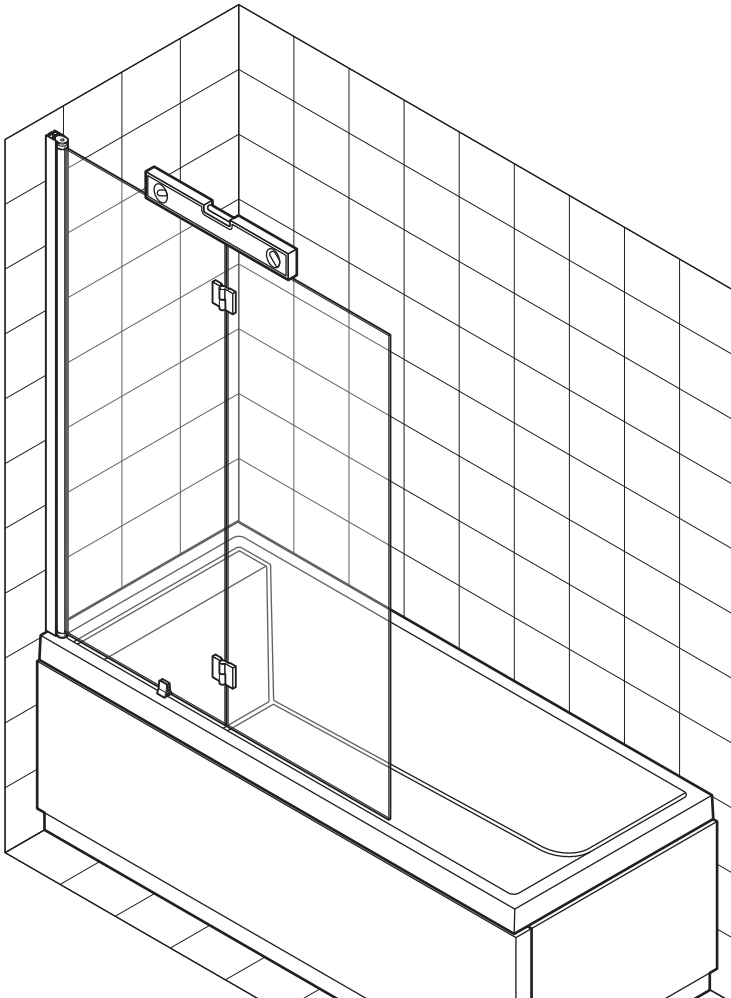


x2

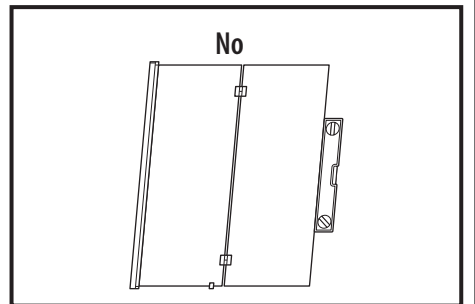


M3x6 x2

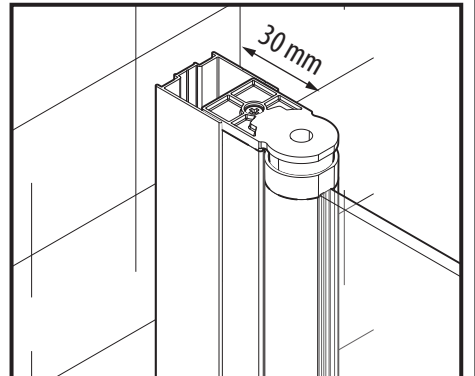
6



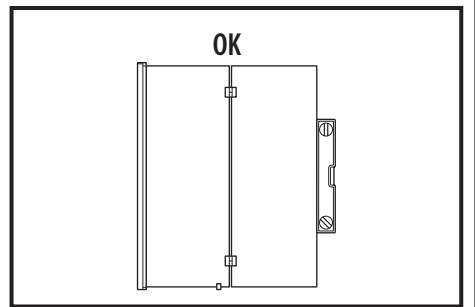
No



30 mm

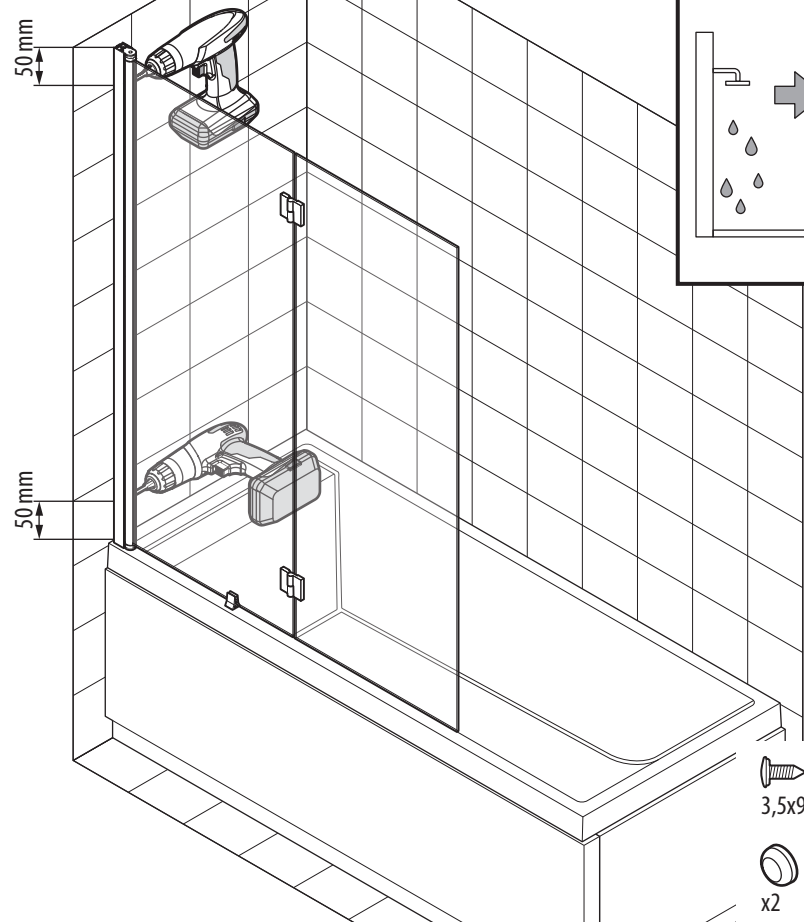


OK

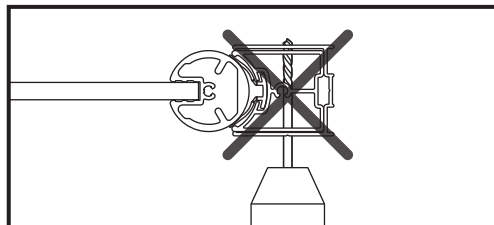
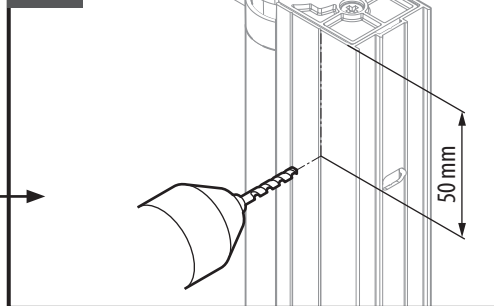


6

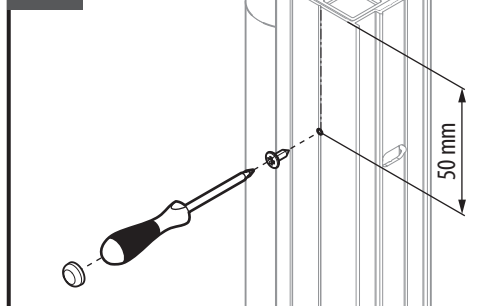
7



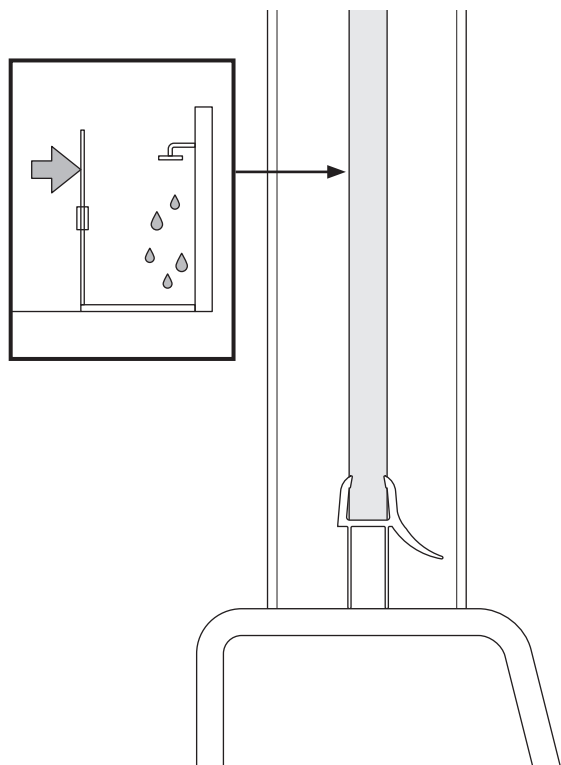
7.1 x2



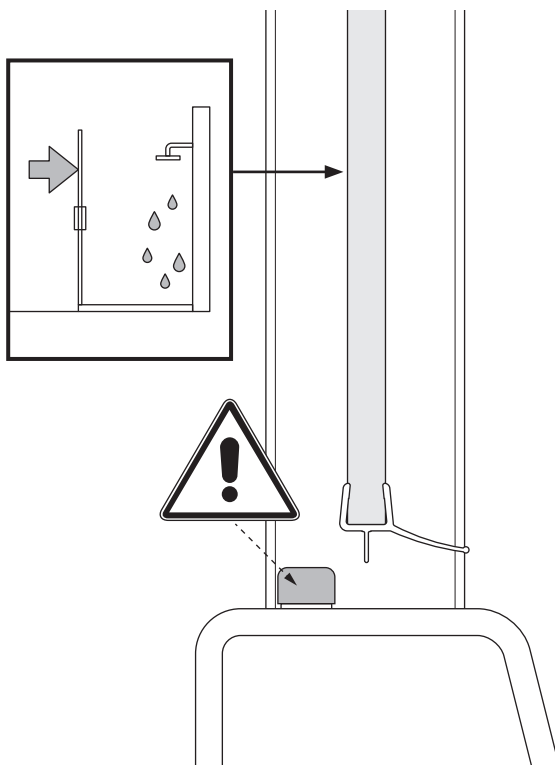
7.2 x2



A

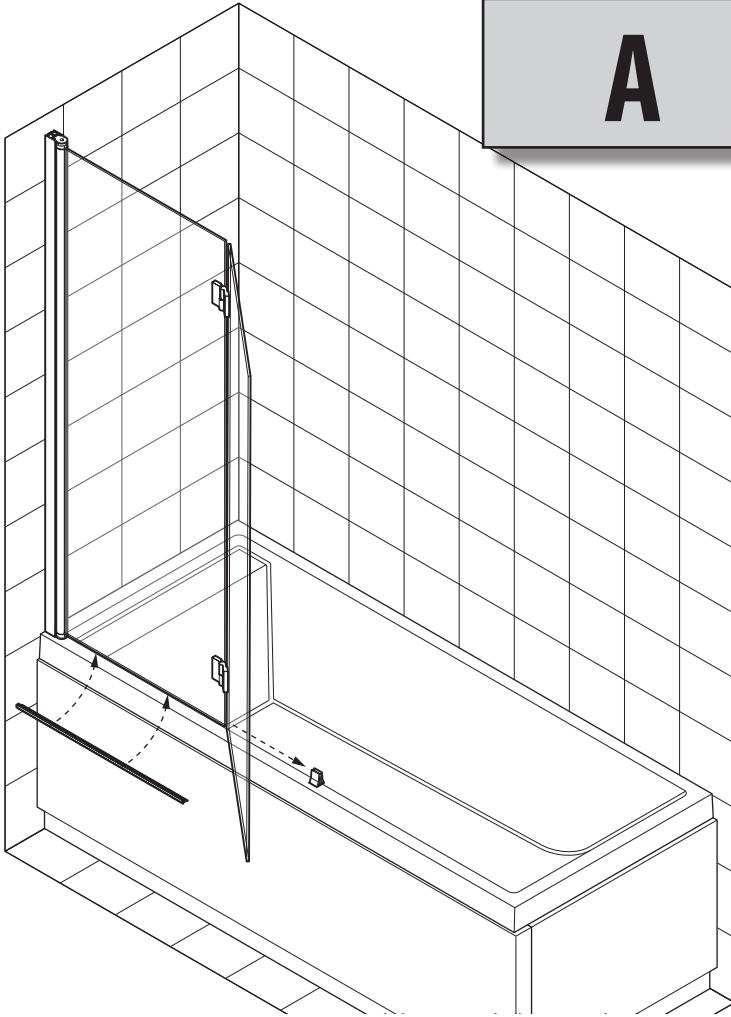


B

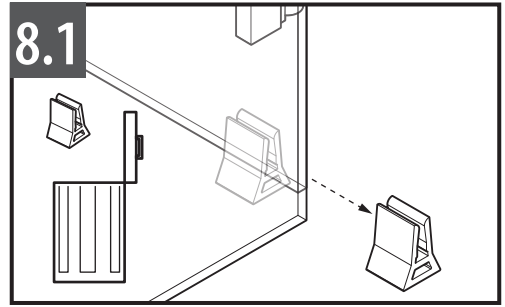


8

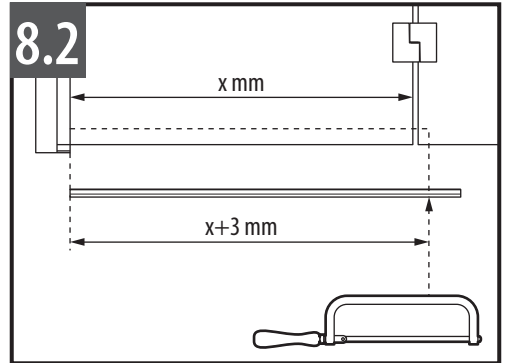
A



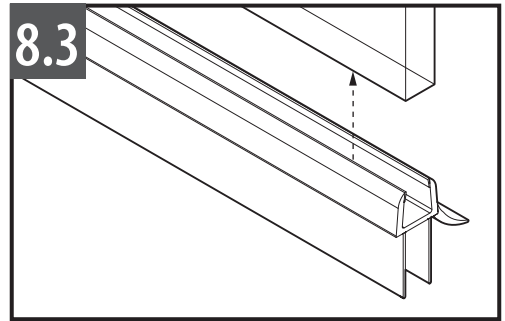
8.1



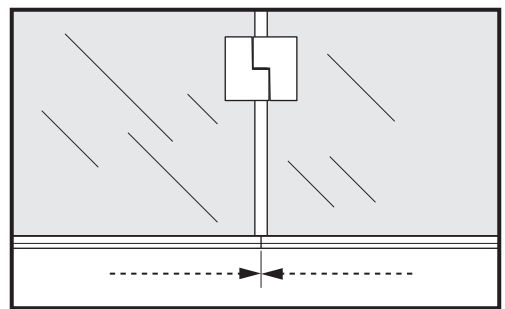
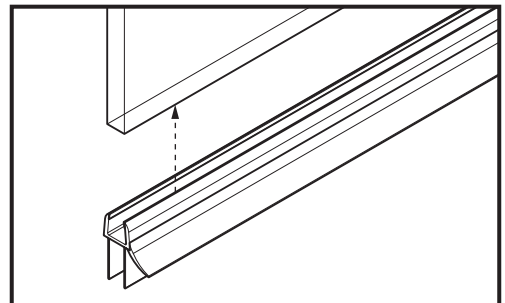
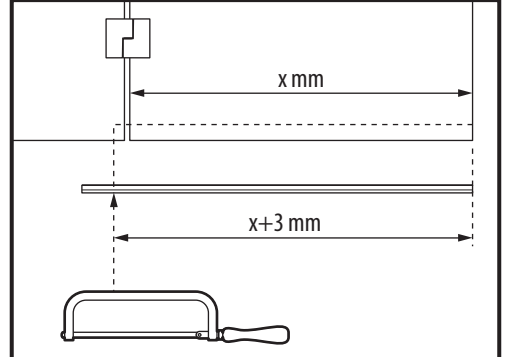
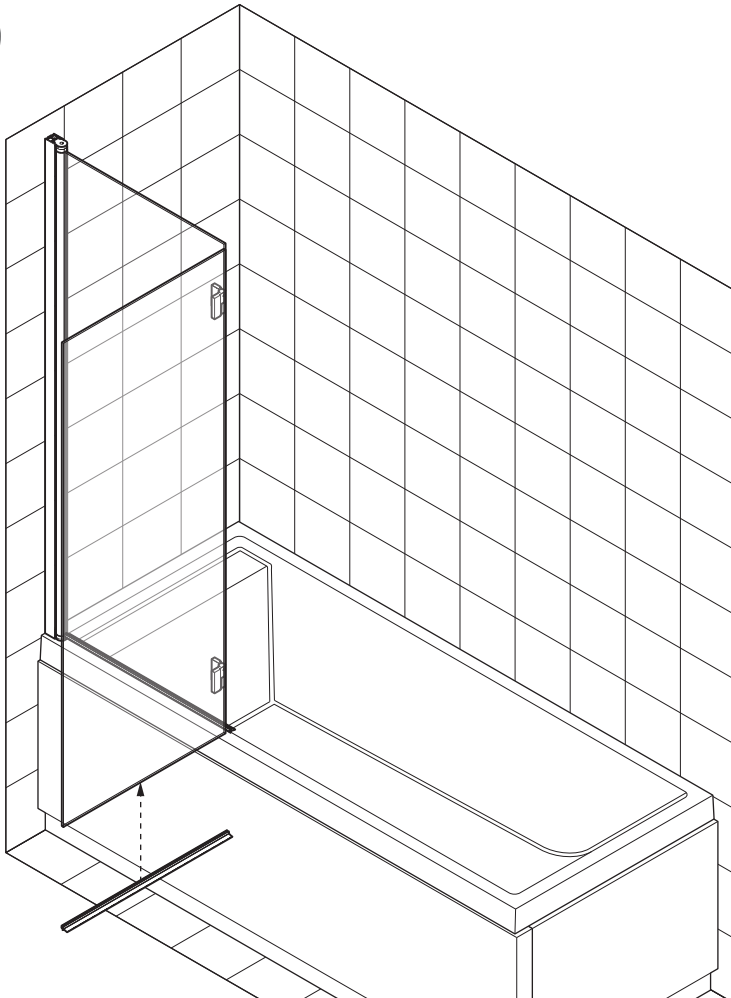
8.2



8.3

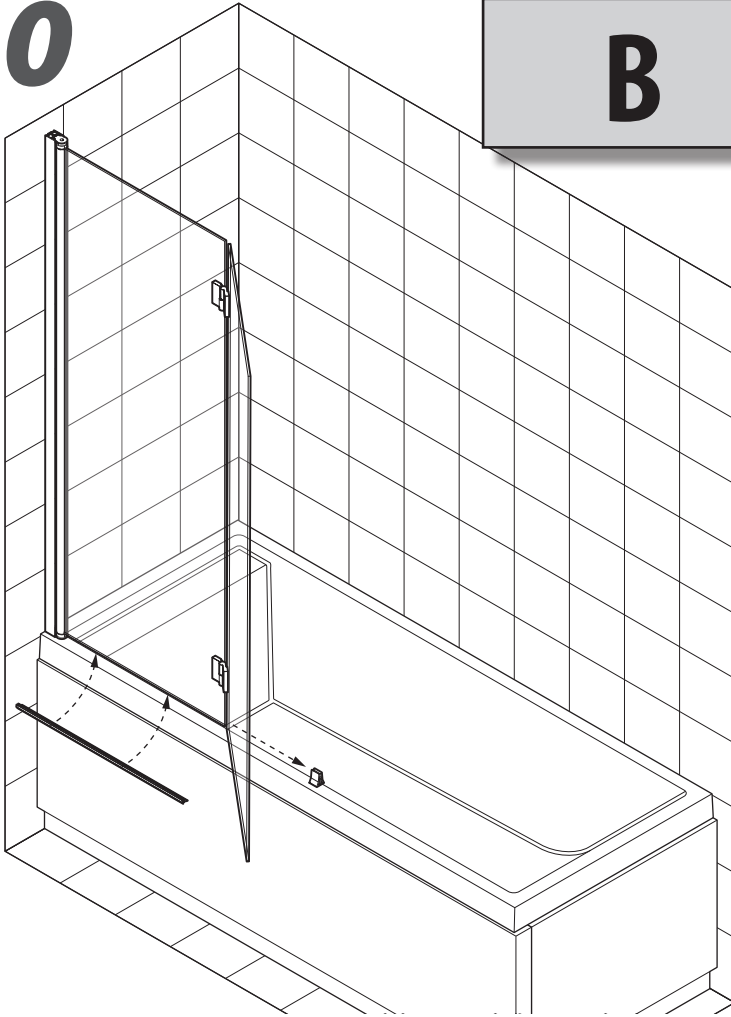


9

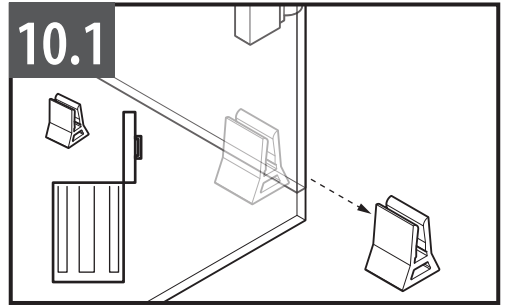


10

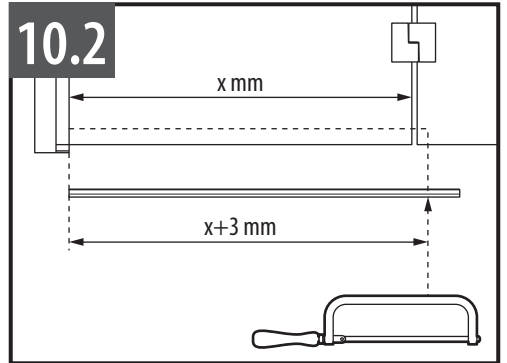
B



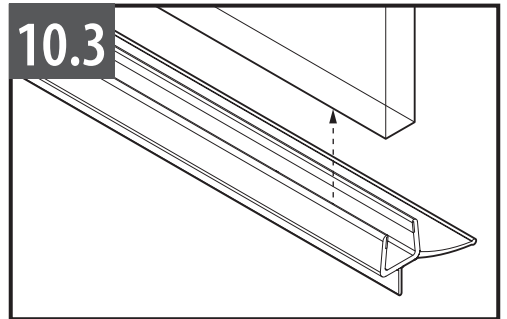
10.1



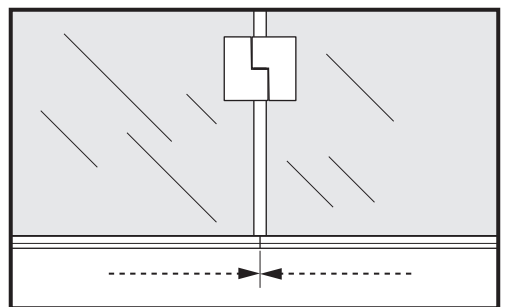
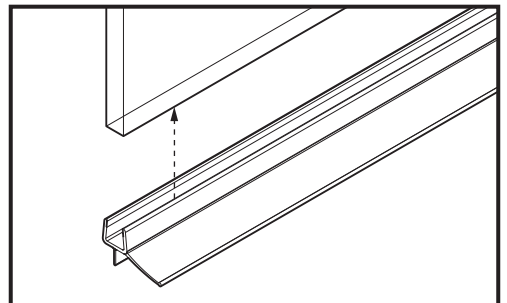
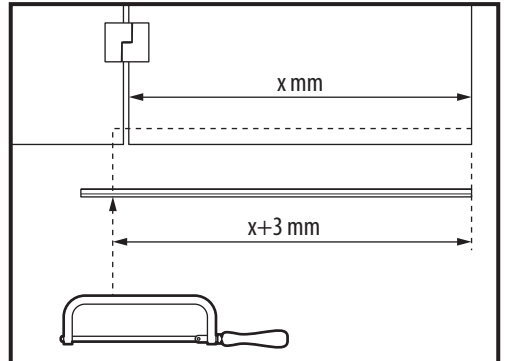
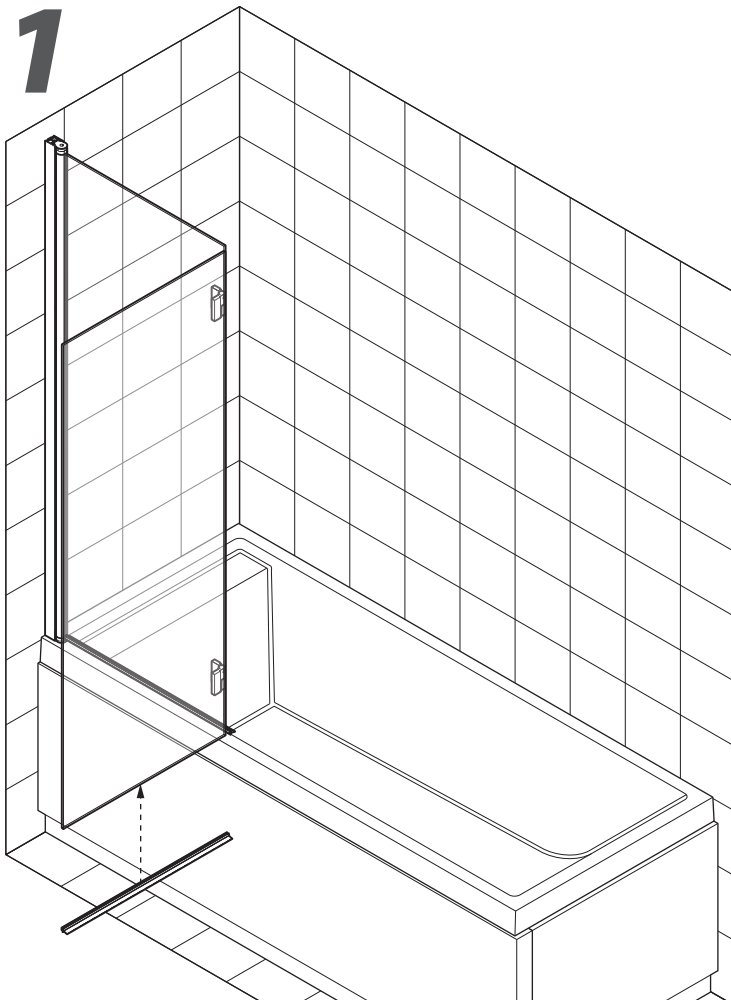
10.2



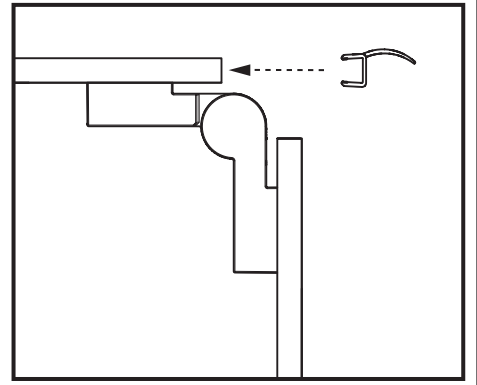
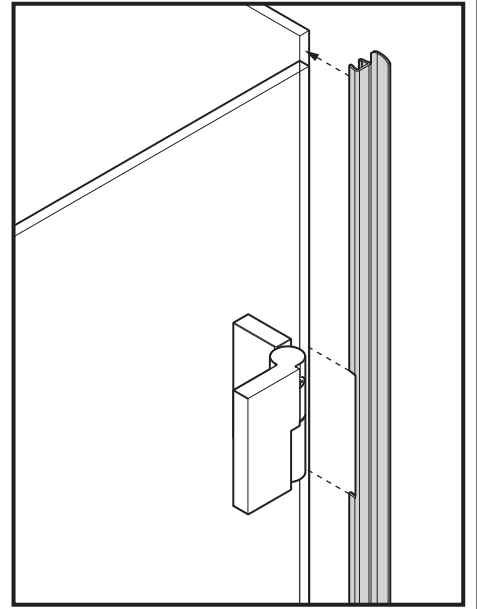
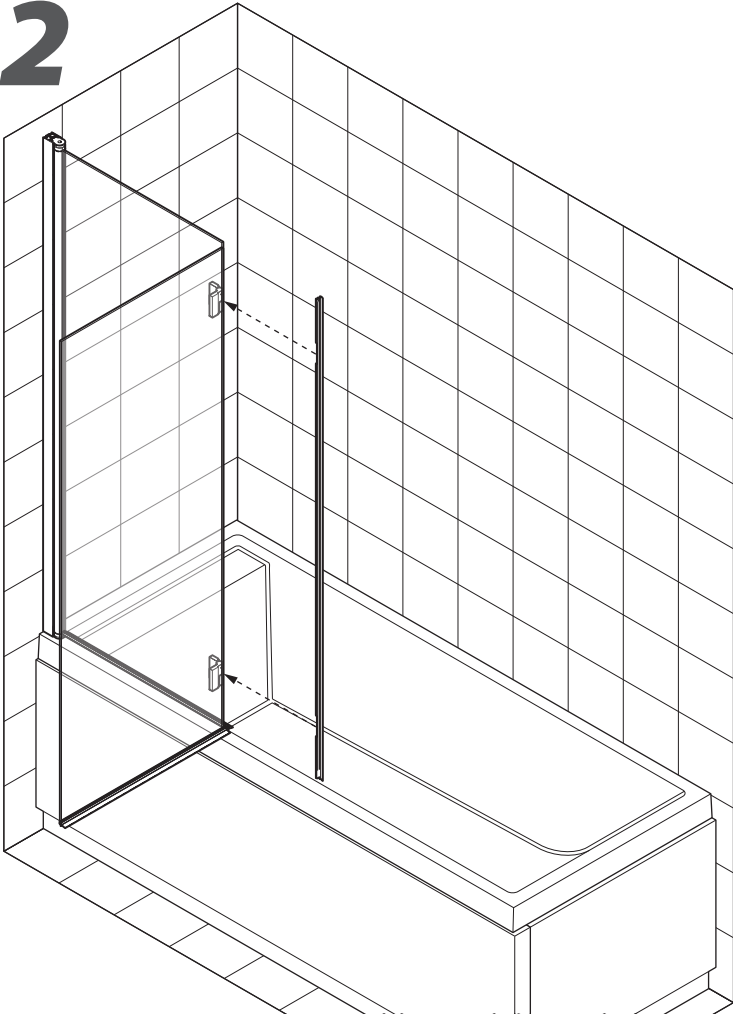
10.3



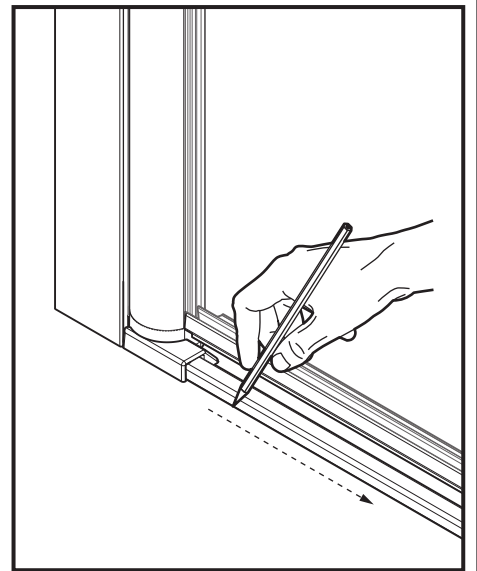
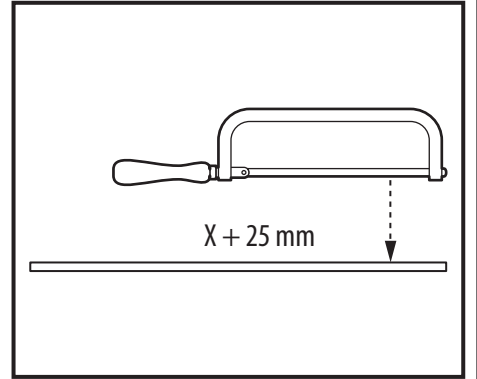
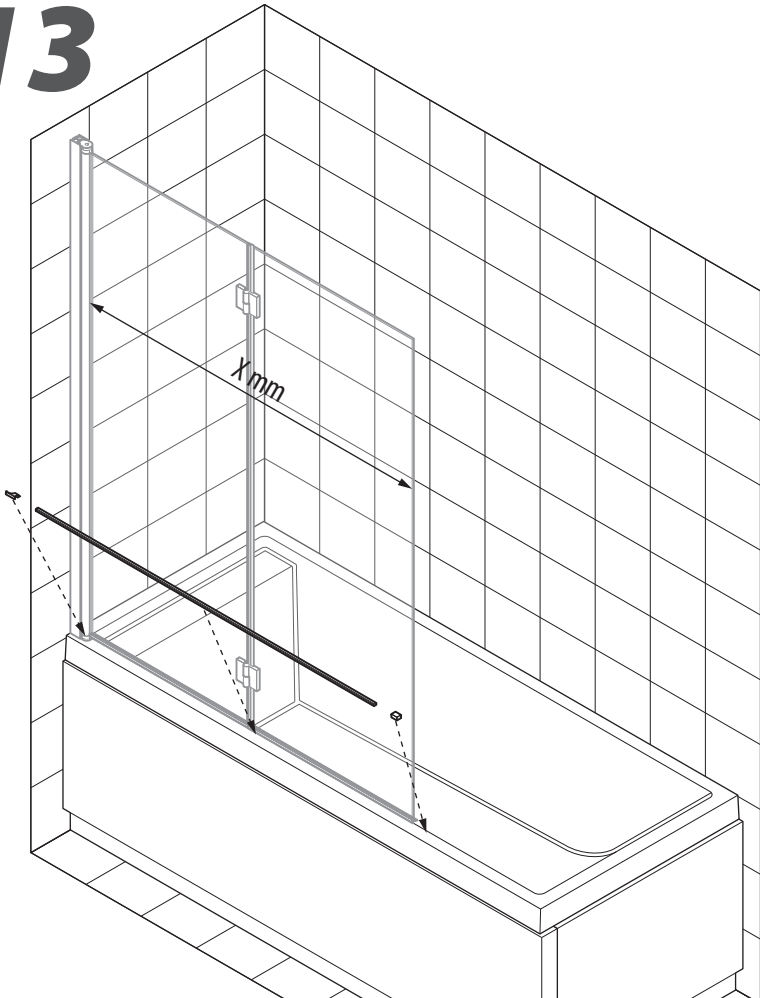
11



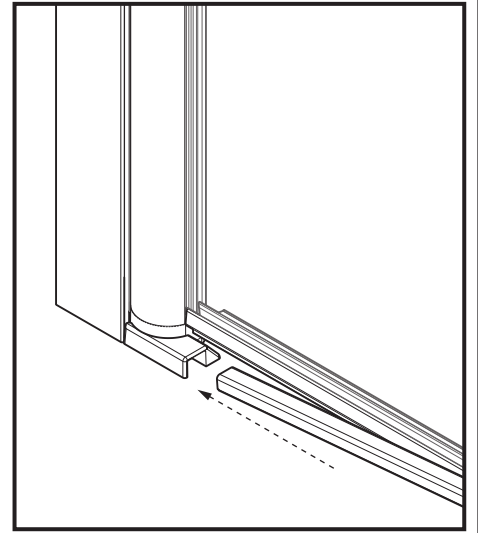
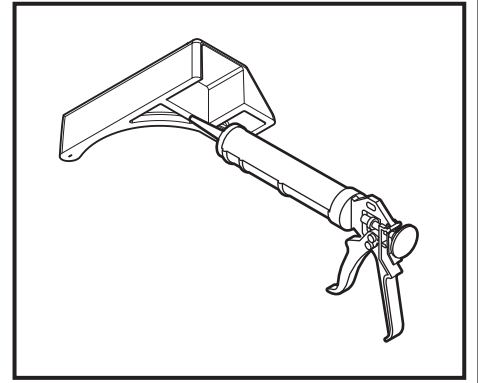
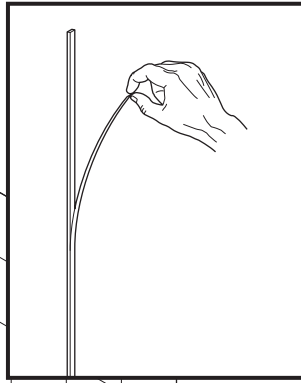
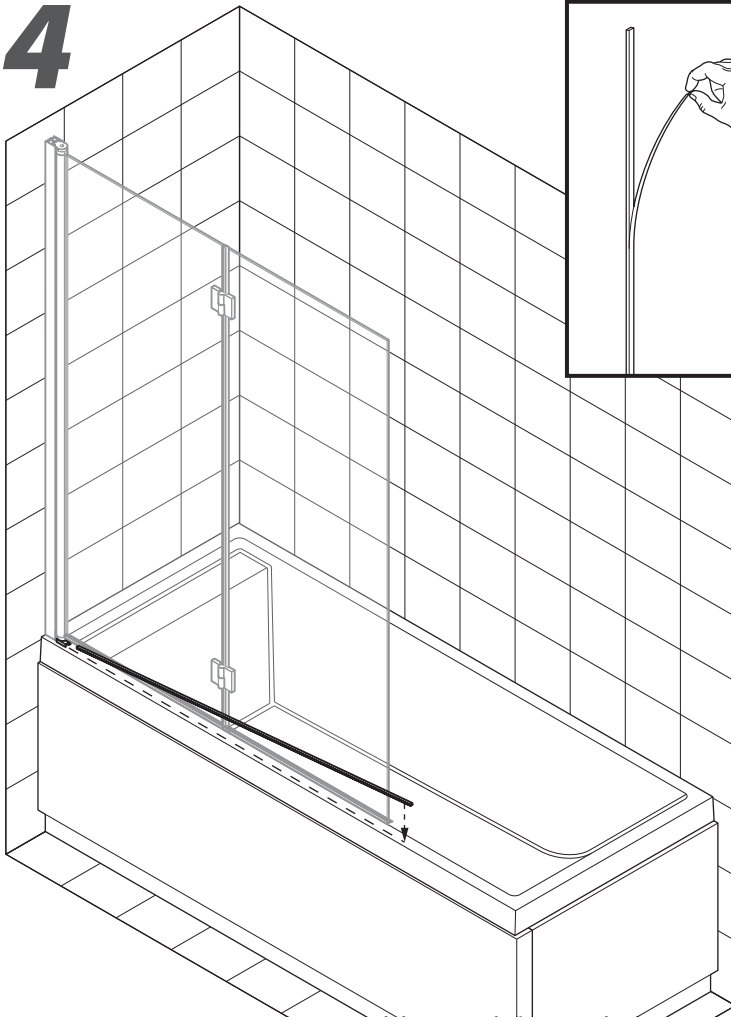
12



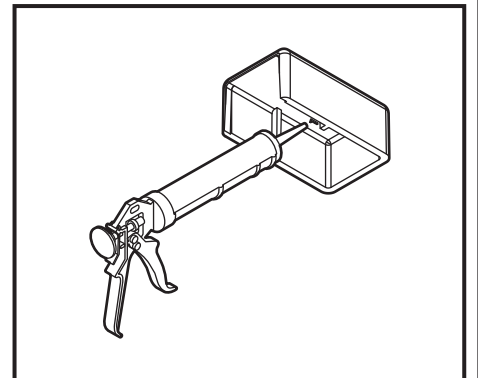
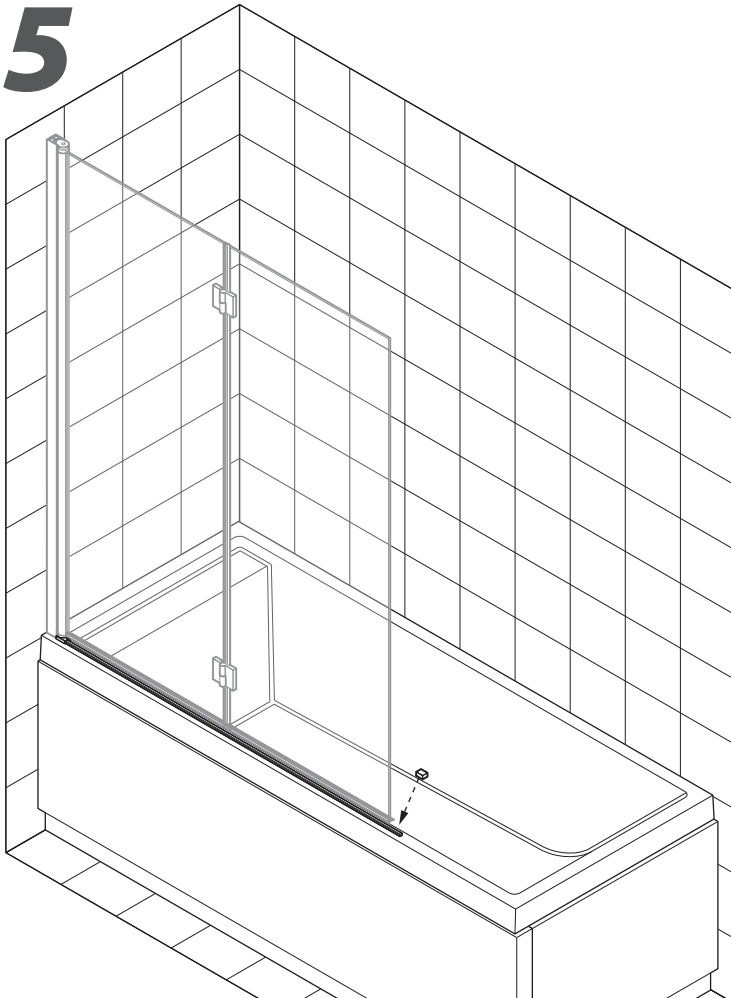
13



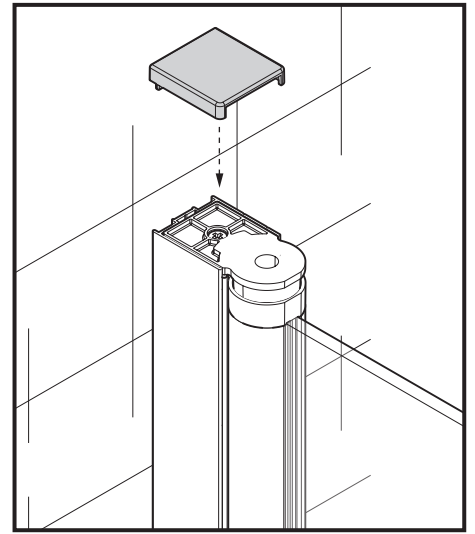
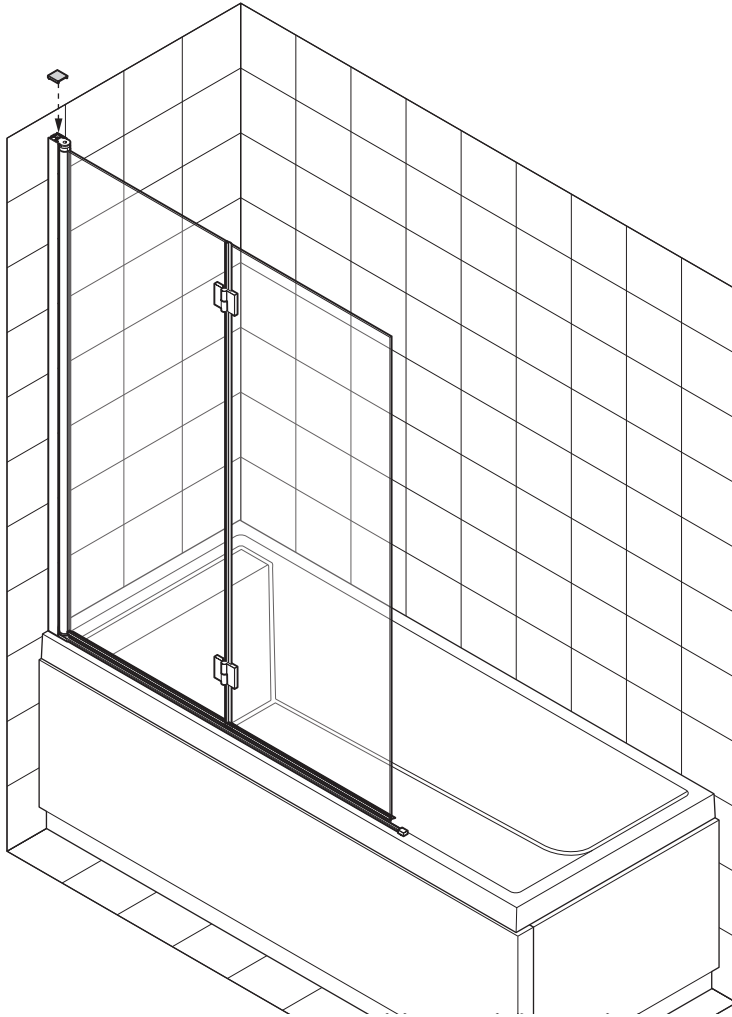
14



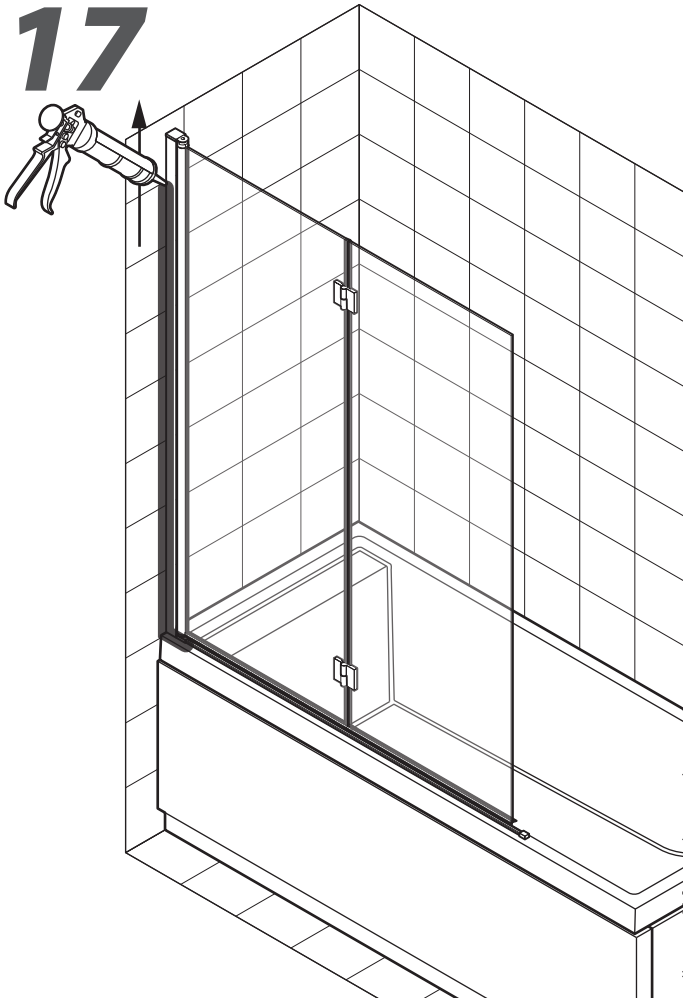
15



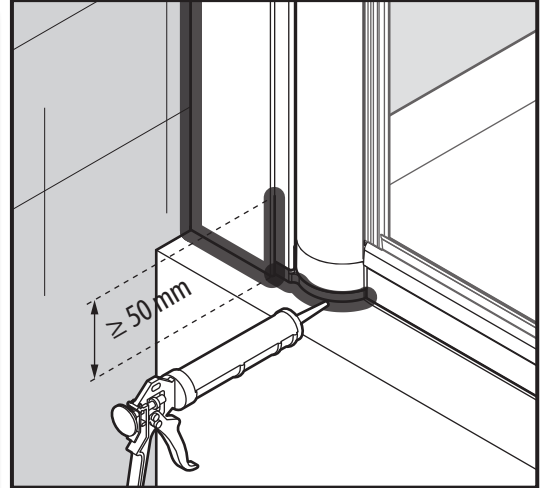
16



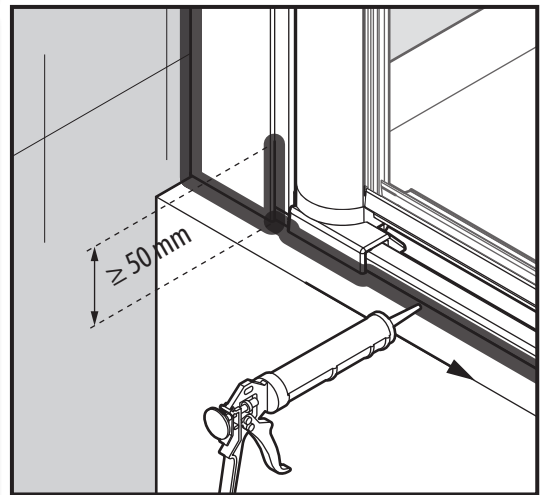
17



A



B



18

