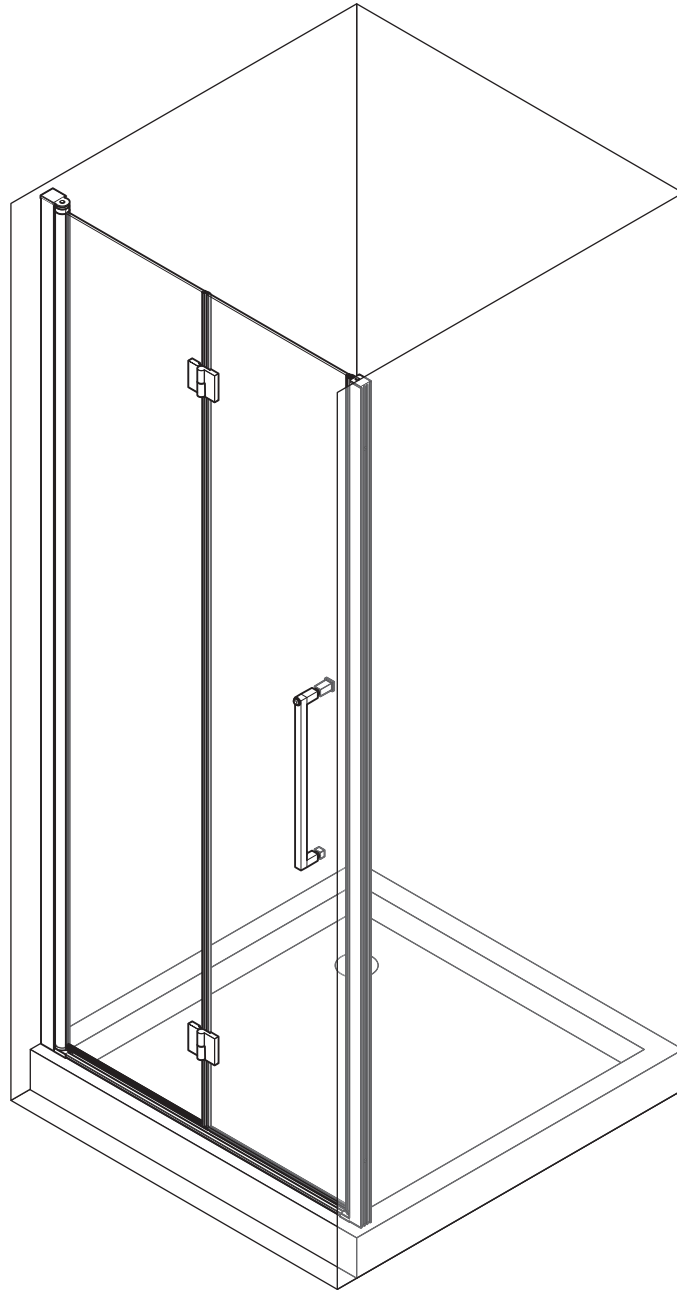
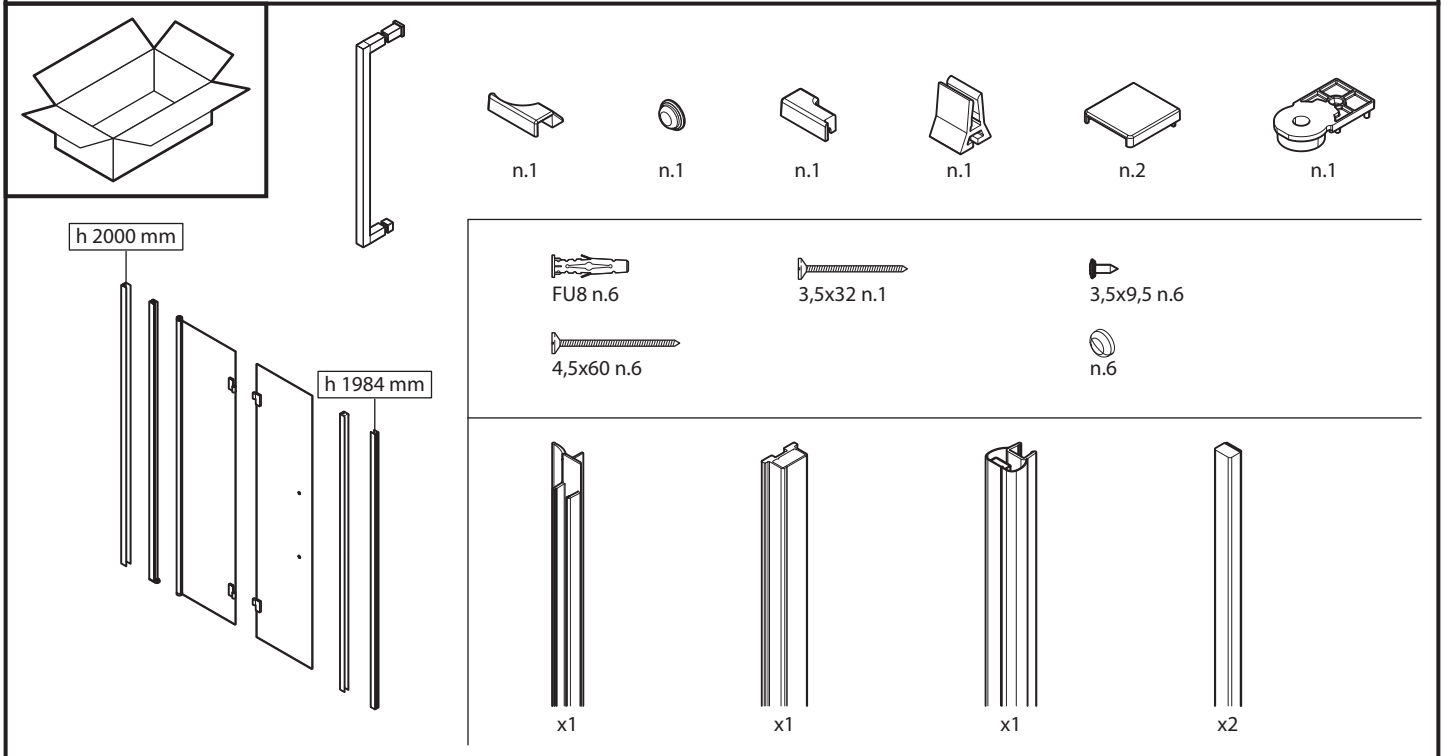
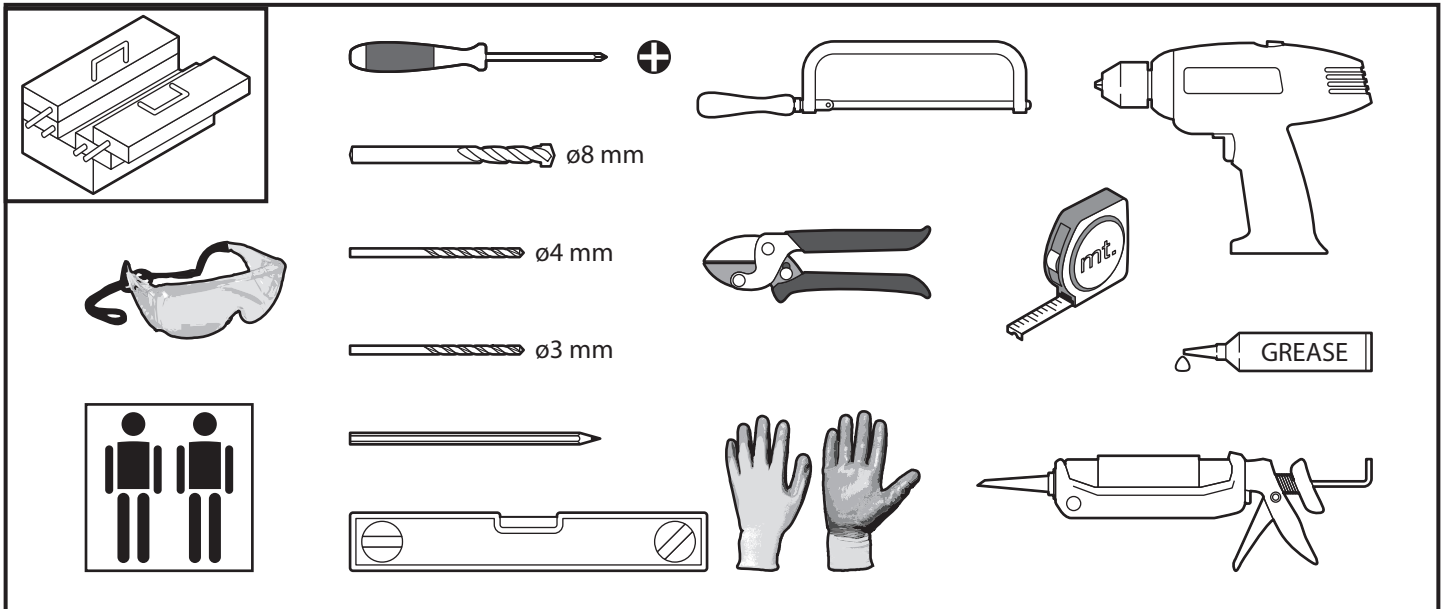


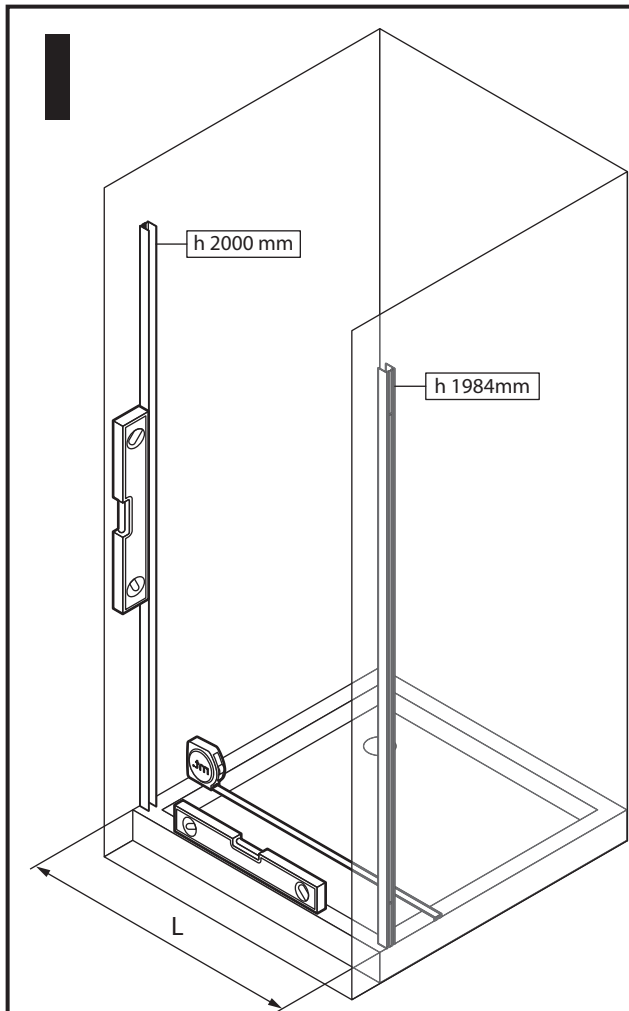
**1BS**



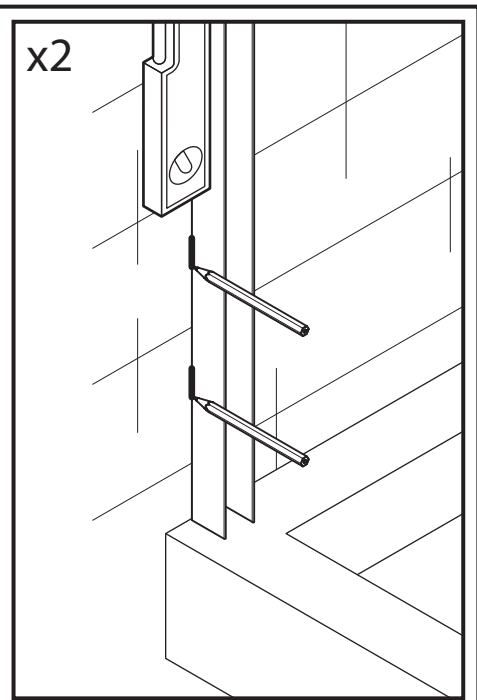



1BS57	L=57-61 cm
1BS65	L=65-69 cm
1BS67	L=67-71 cm
1BS72	L=72-76 cm
1BS77	L=77-81 cm
1BS82	L=82-86 cm
1BS87	L=87-91 cm
1BS94	L=94-98 cm
1BS97	L=97-101 cm
1BS107	L=107-111 cm
1BS117	L=117-121 cm

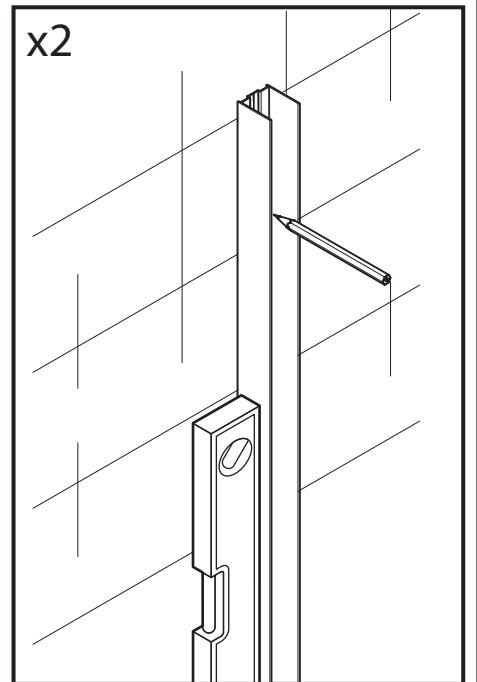
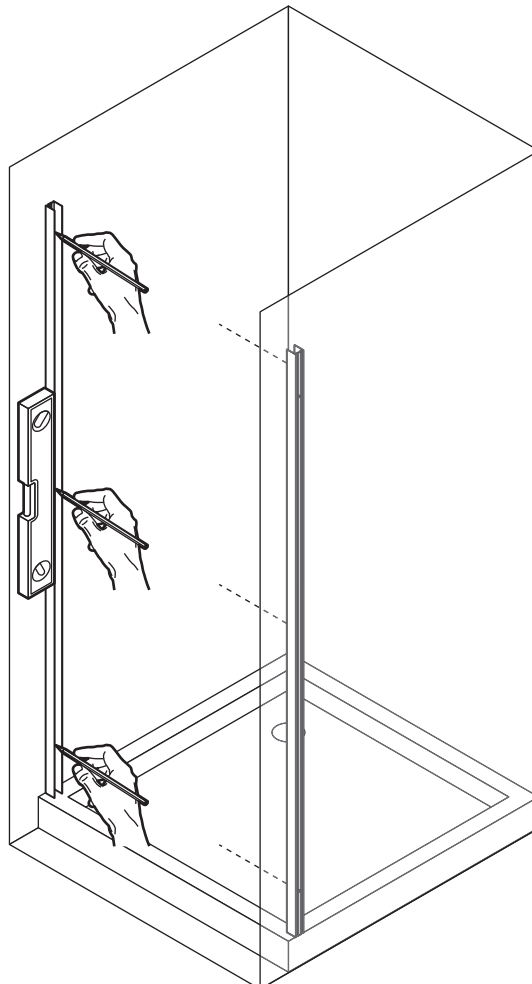
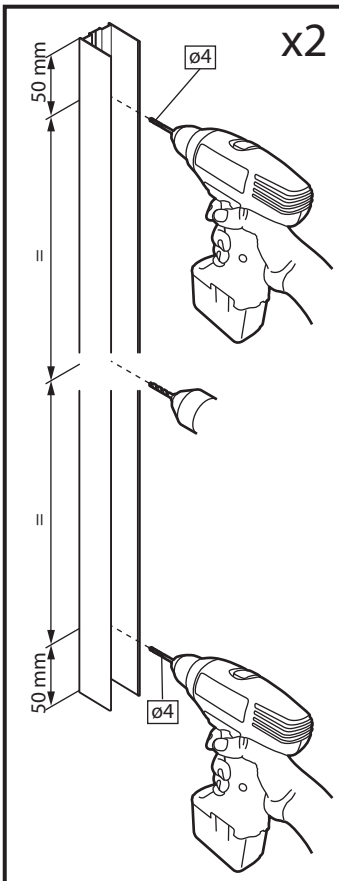
**CLEANIT OR WATER ONLY**



1BS57	L=57-61 cm
1BS65	L=65-69 cm
1BS67	L=67-71 cm
1BS72	L=72-76 cm
1BS77	L=77-81 cm
1BS82	L=82-86 cm
1BS87	L=87-91 cm
1BS94	L=94-98 cm
1BS97	L=97-101 cm
1BS107	L=107-111 cm
1BS117	L=117-121 cm



**2**



**3**

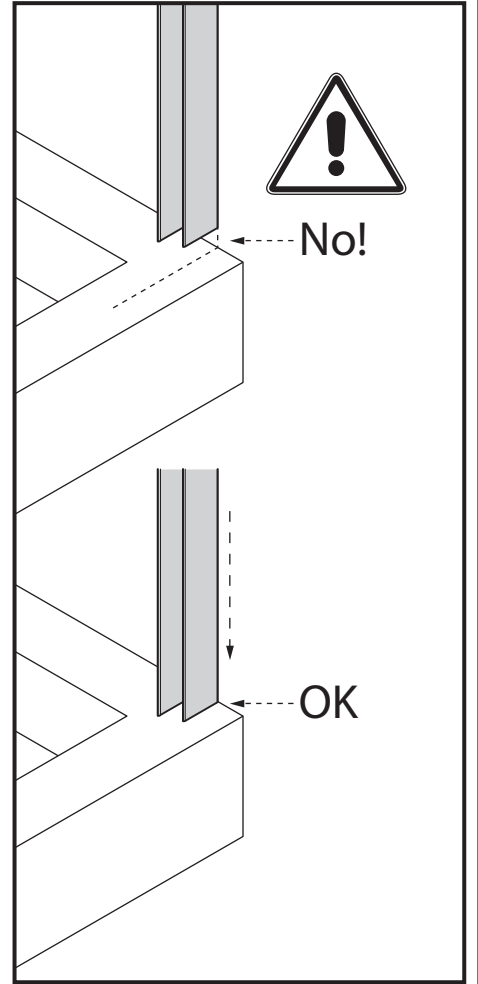
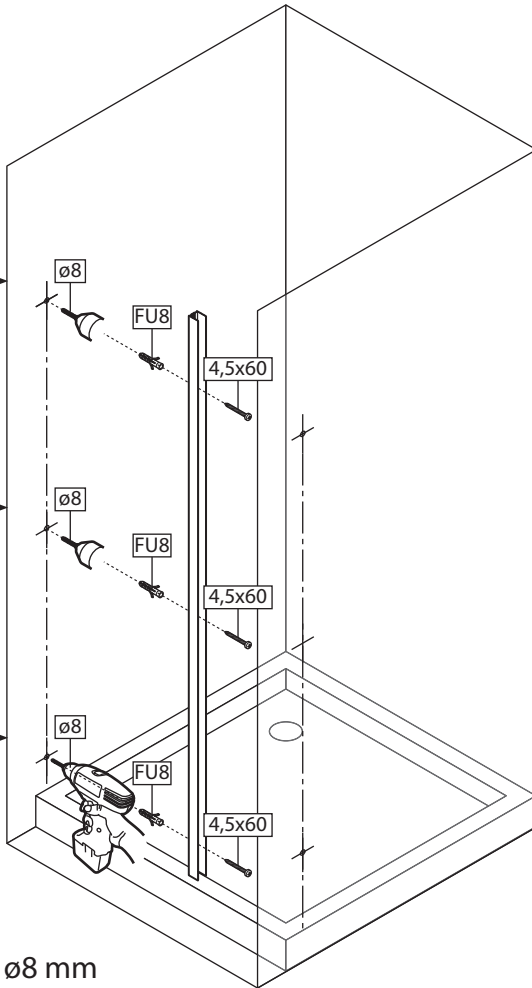
# 3

2°

3°

1°

ø8 mm



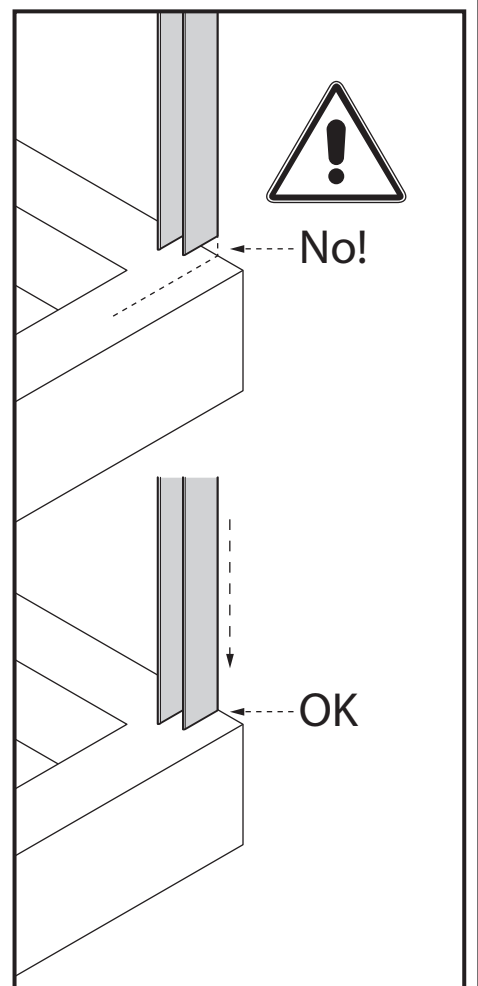
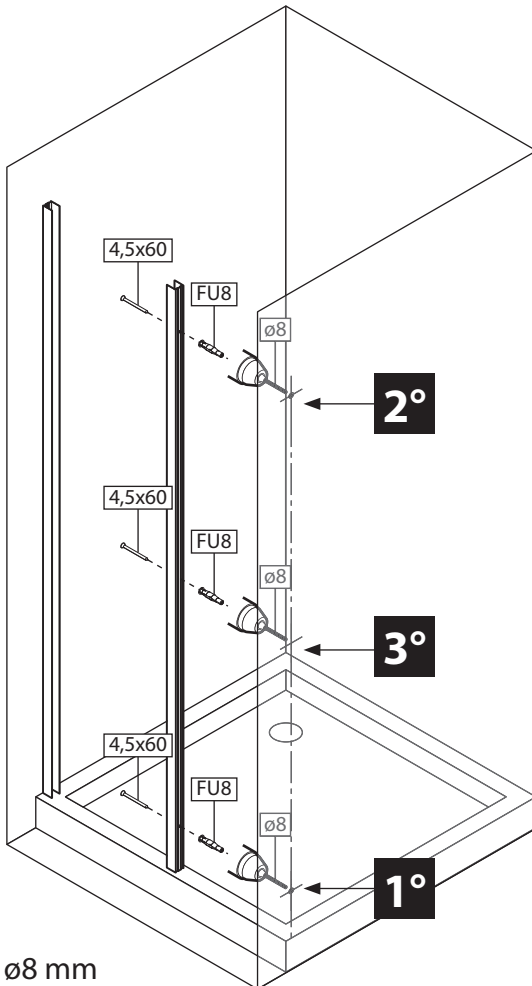
# 4

2°

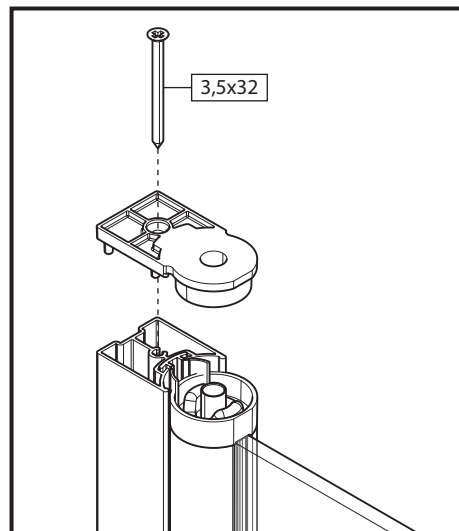
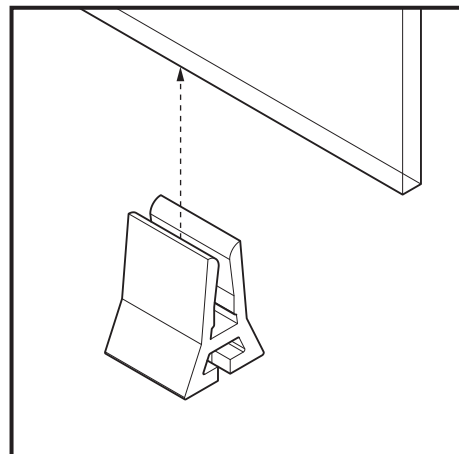
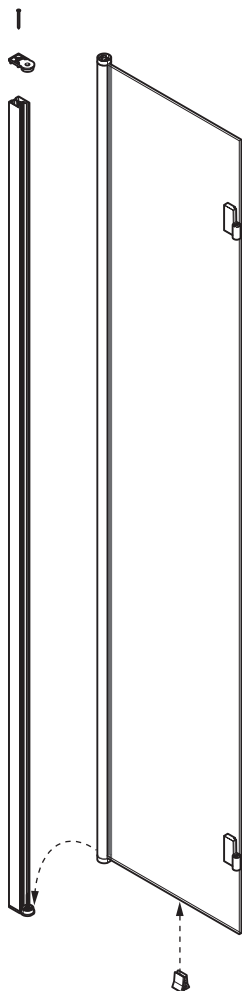
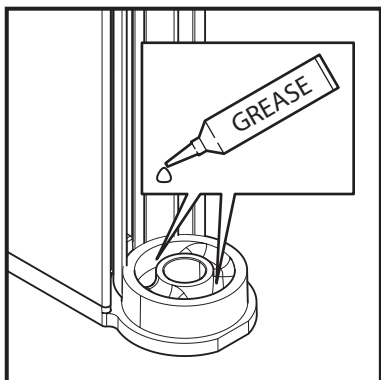
3°

1°

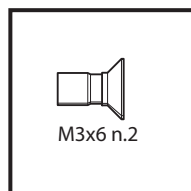
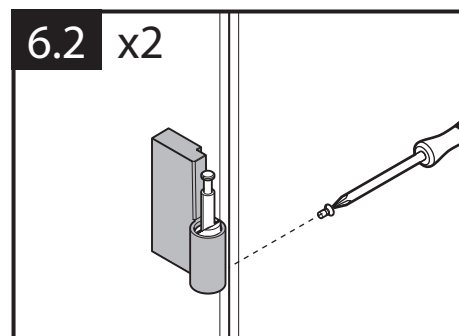
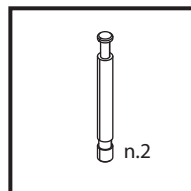
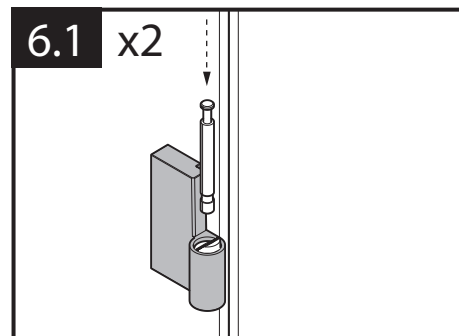
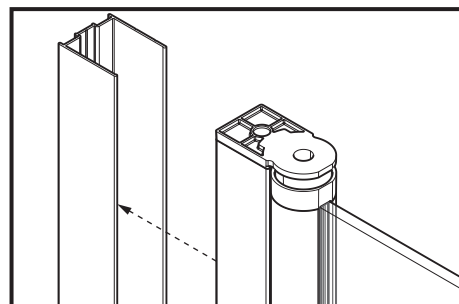
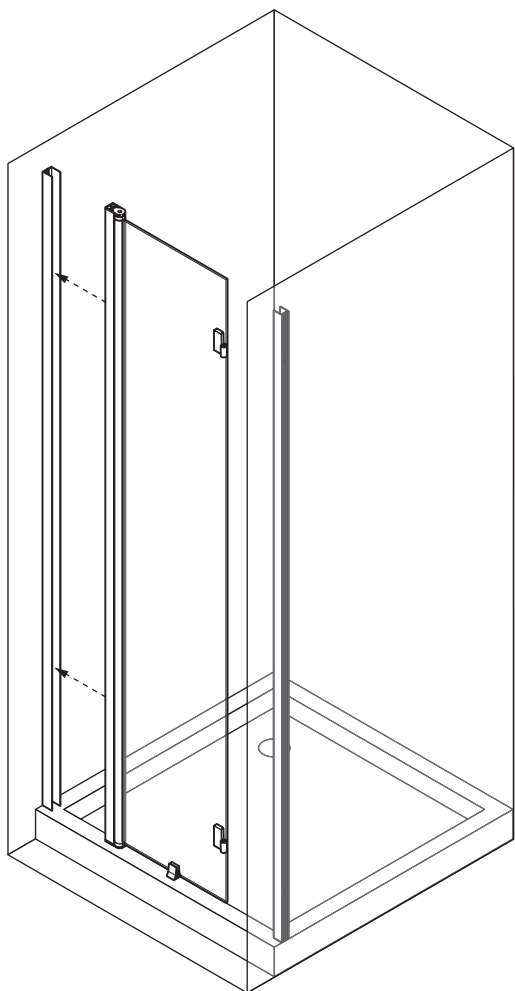
ø8 mm



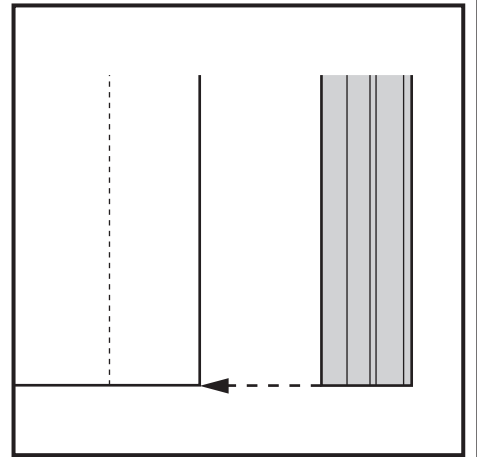
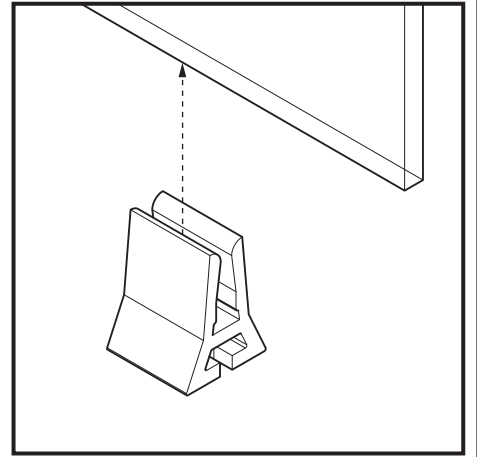
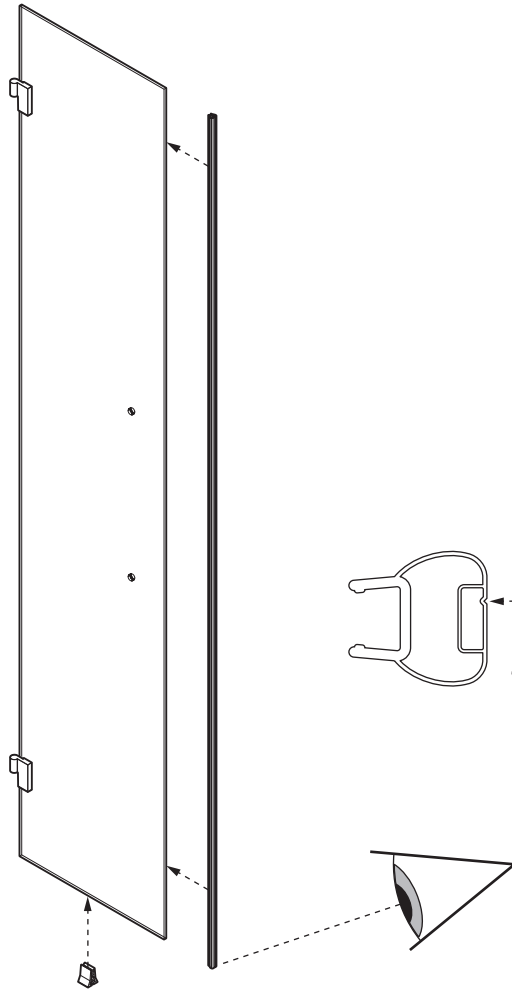
# 5



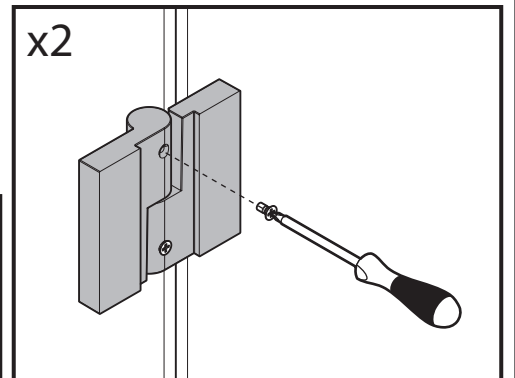
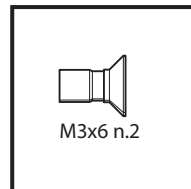
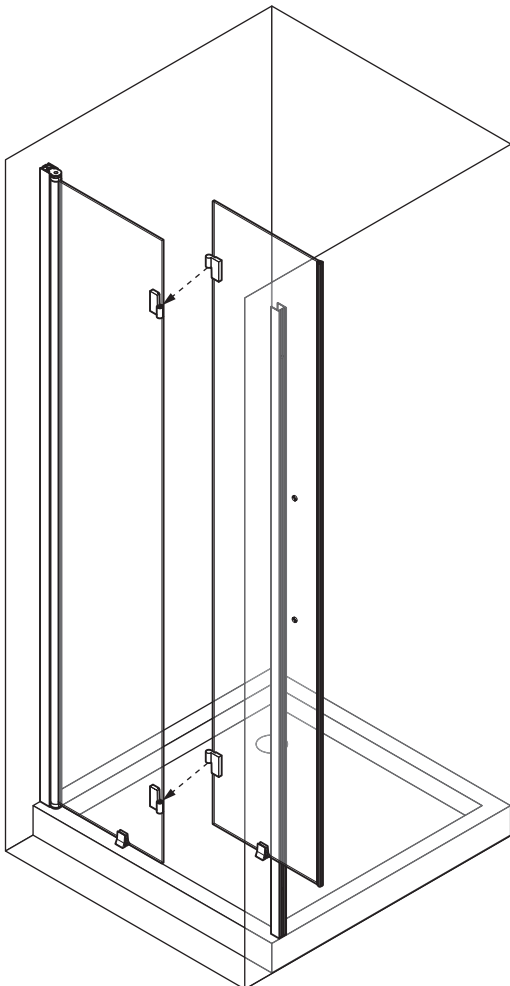
# 6



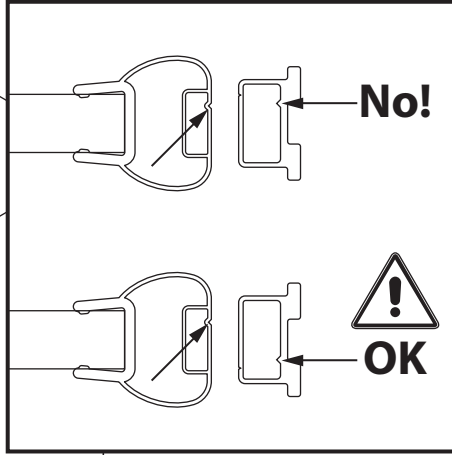
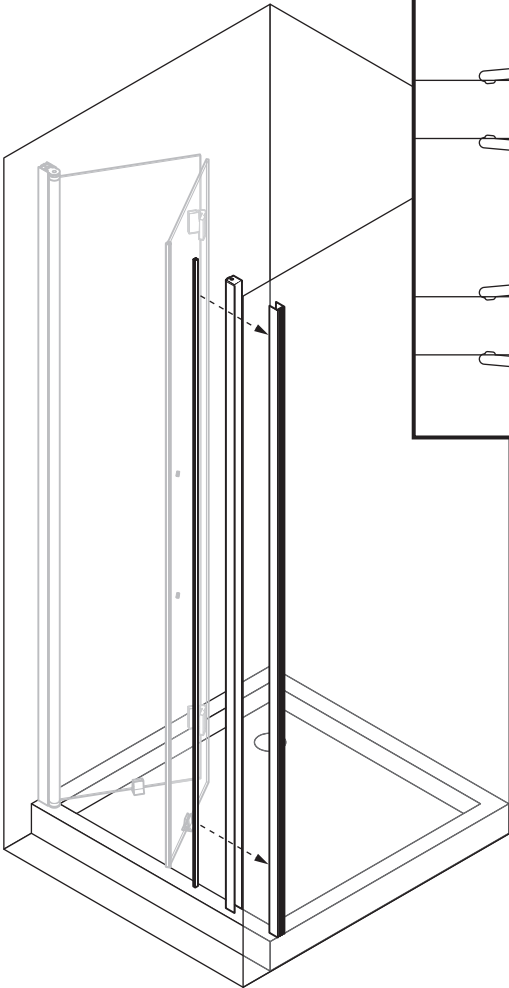
# 7



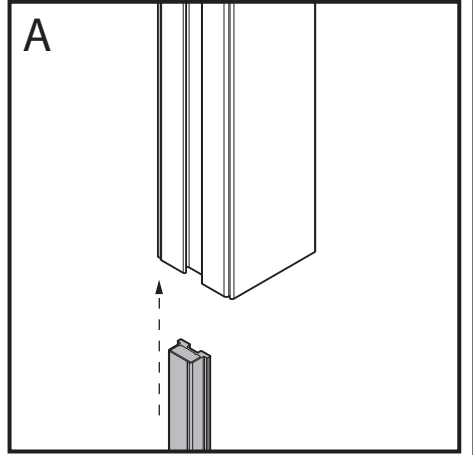
# 8



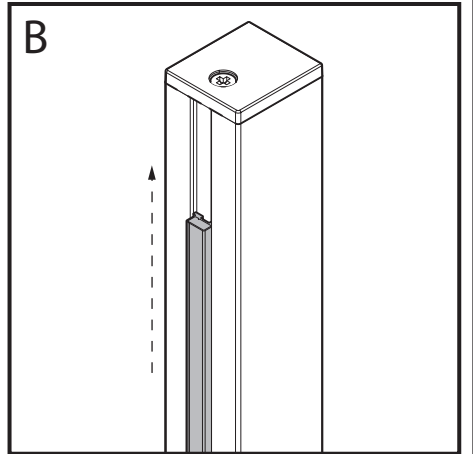
# 9



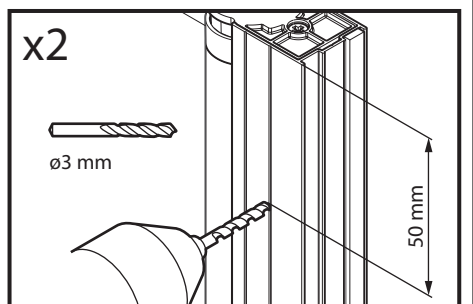
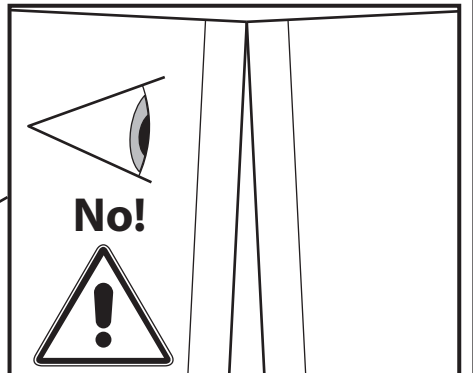
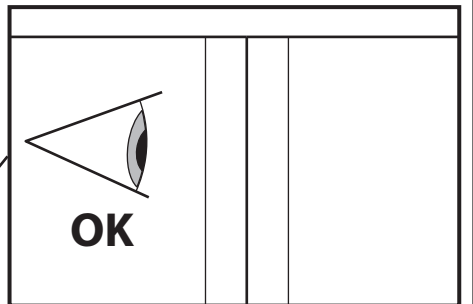
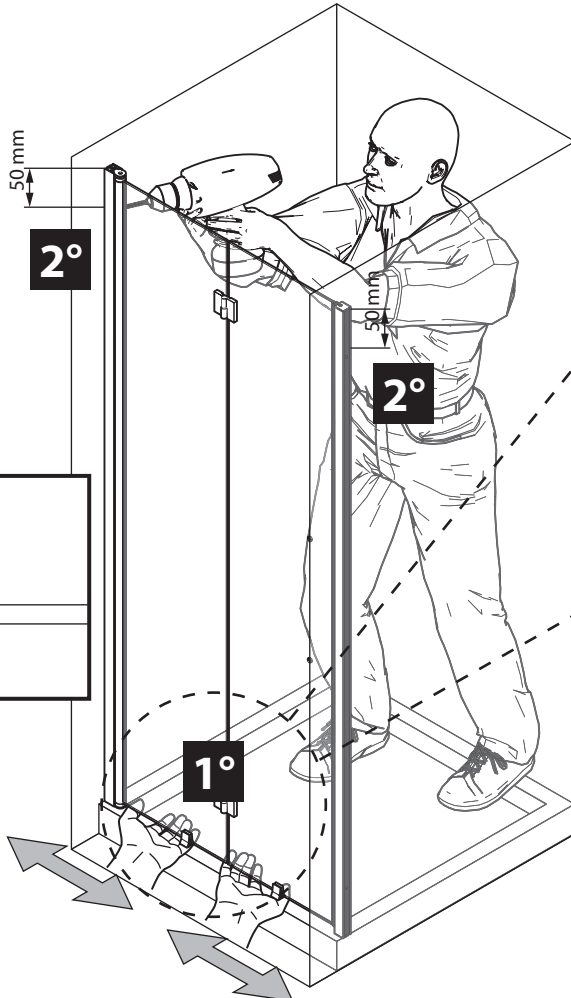
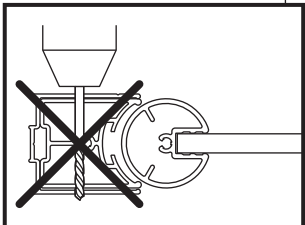
## A

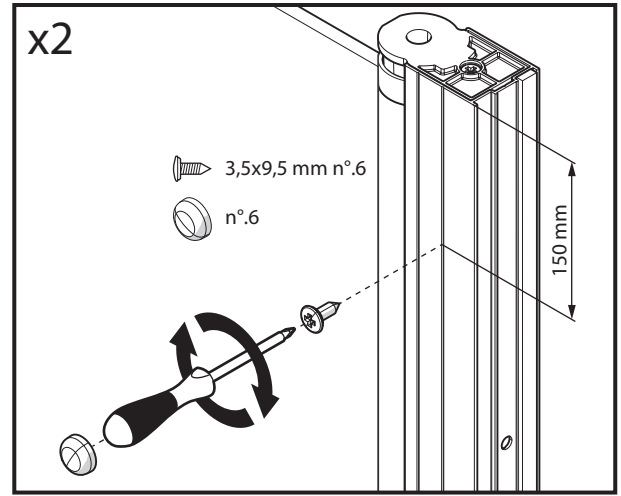
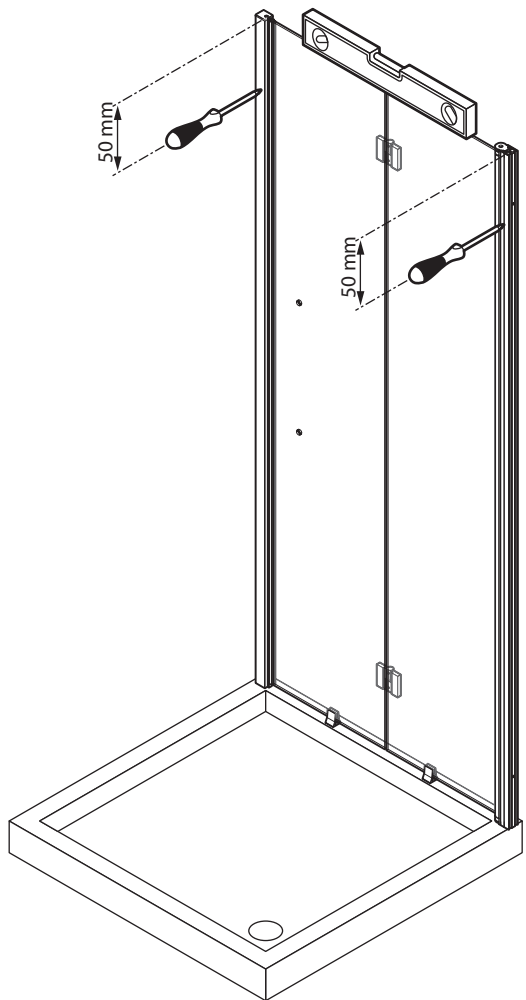


## B

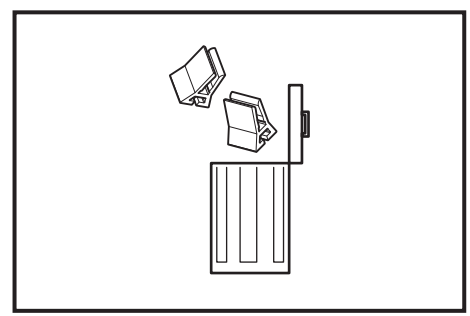
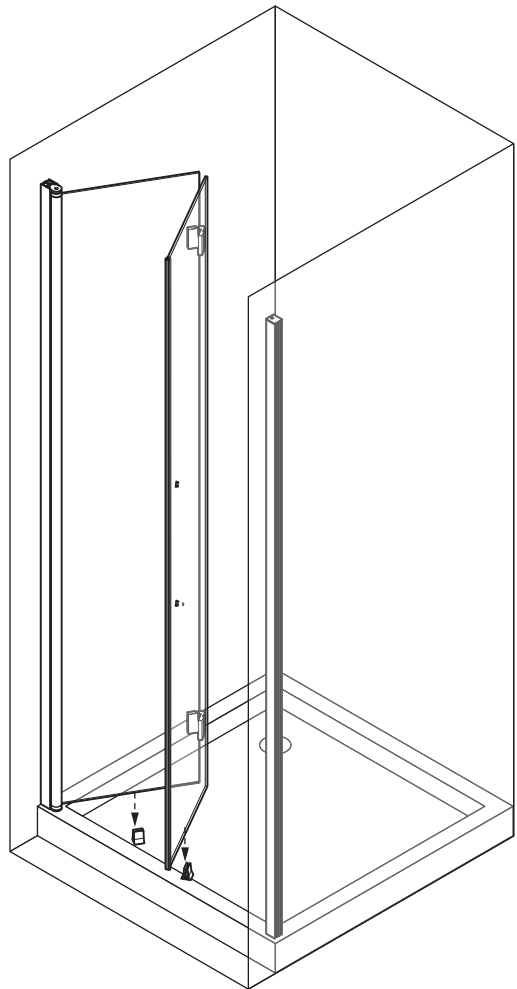


# 10



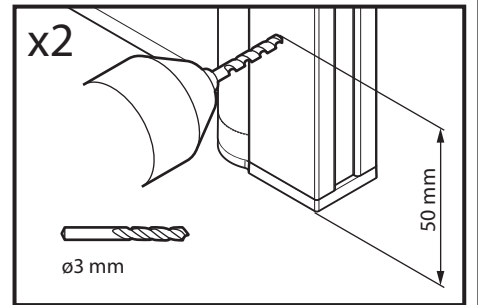
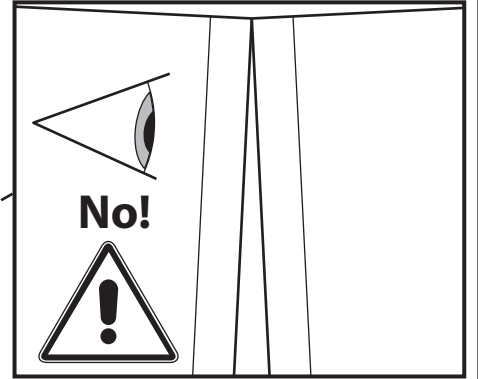
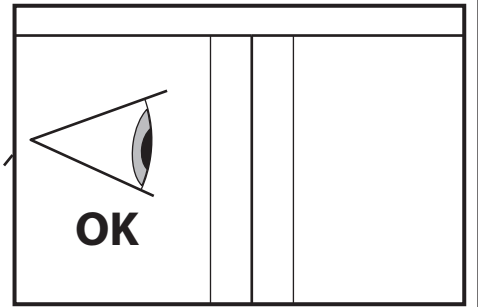
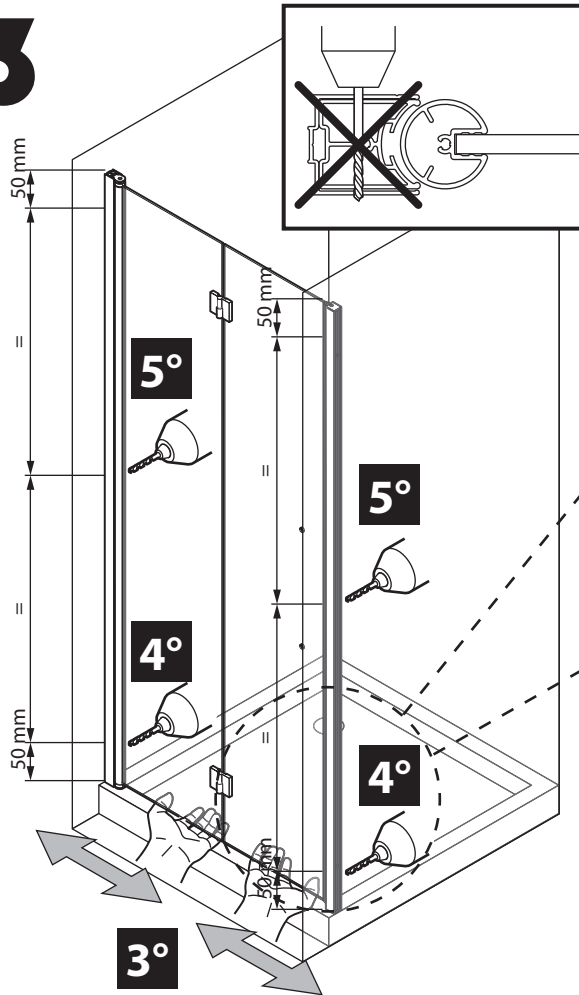


**12**

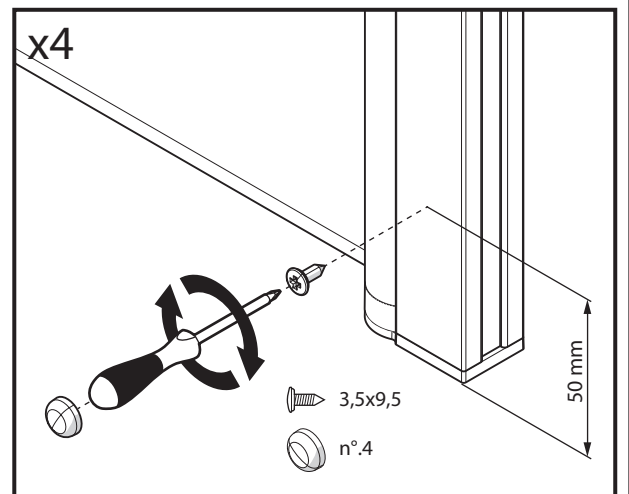
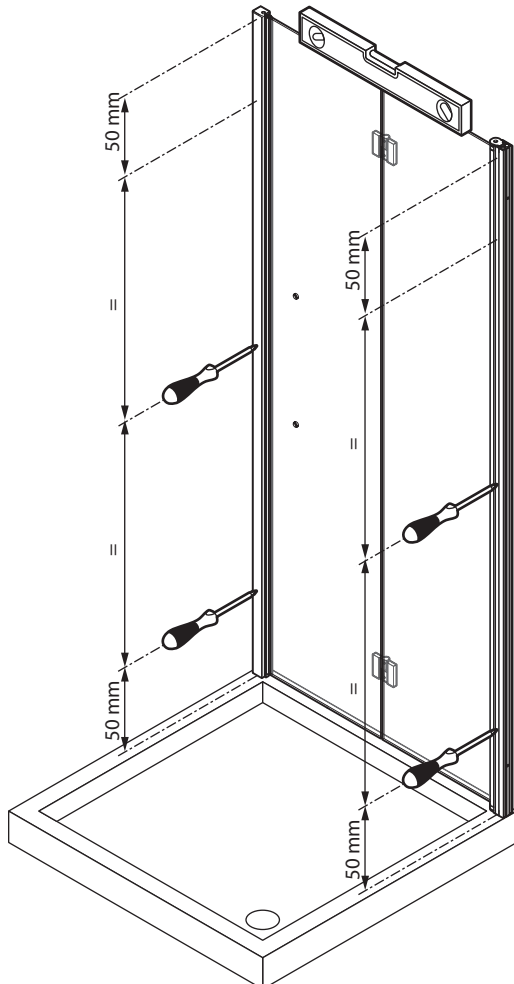




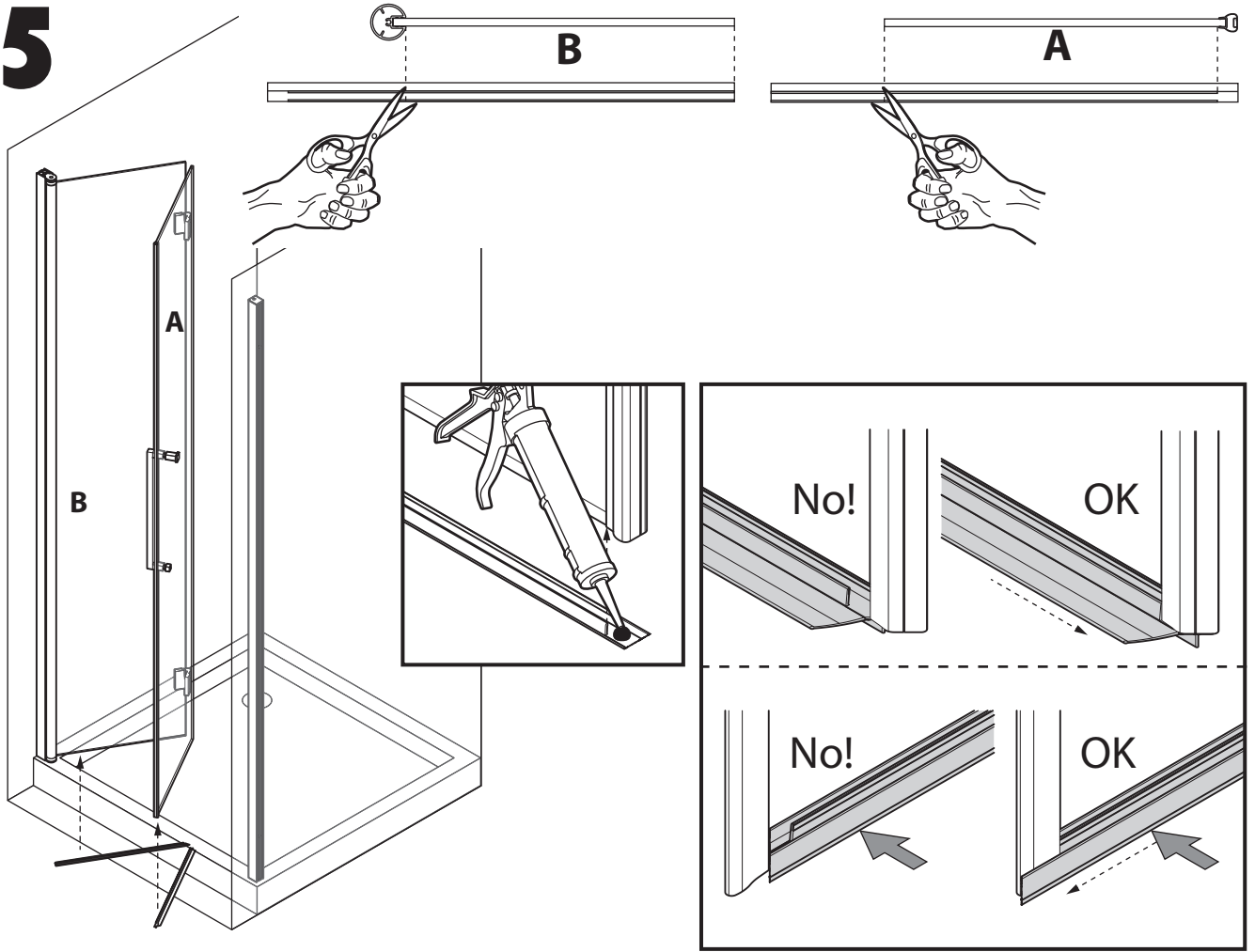
# 13



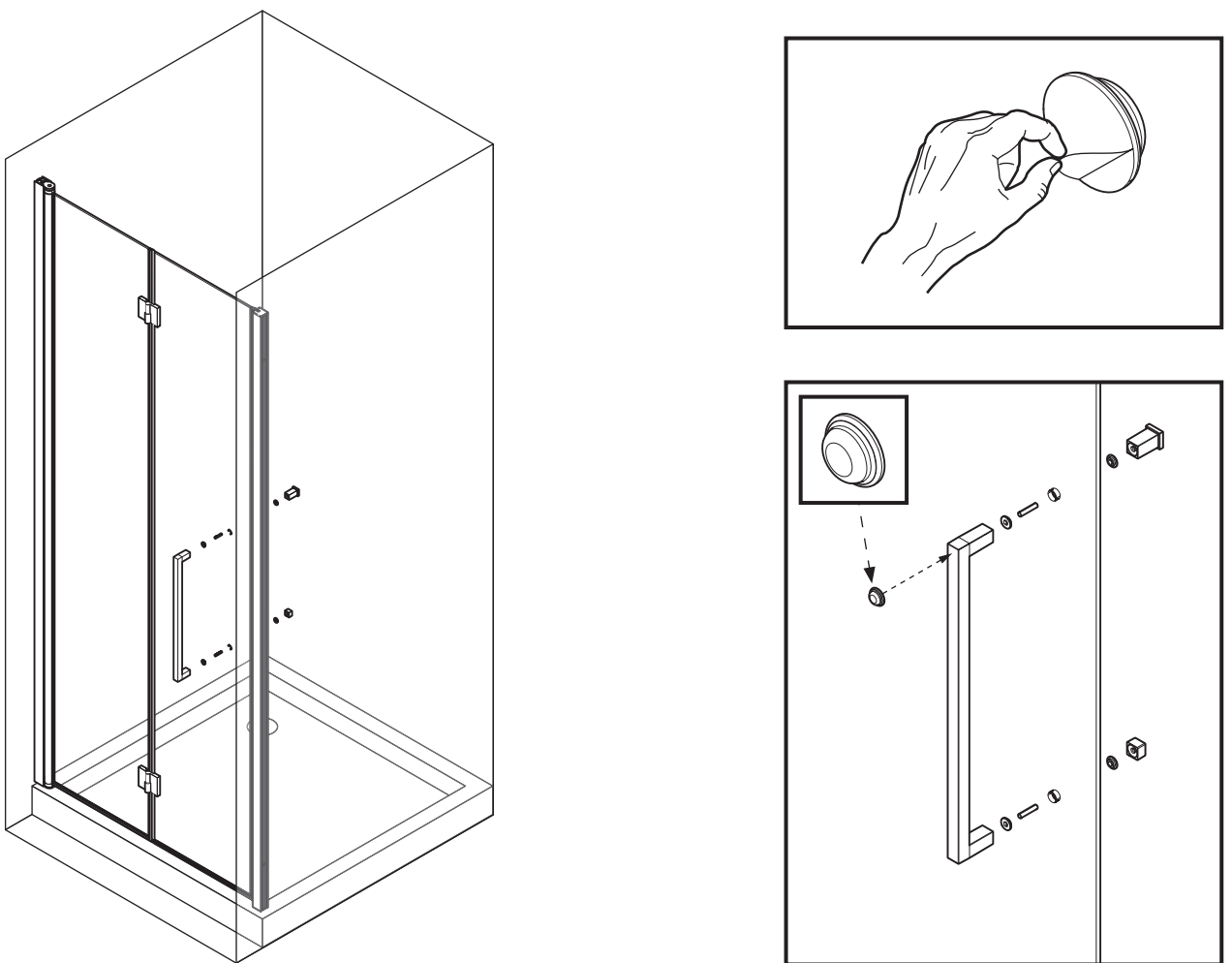
# 14



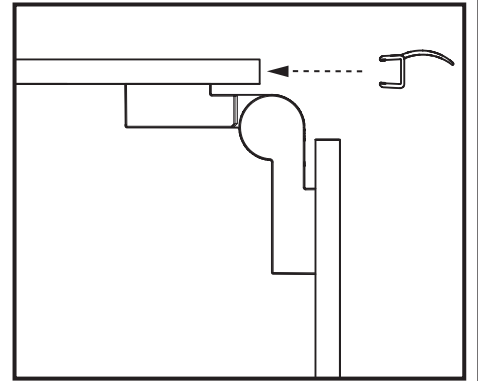
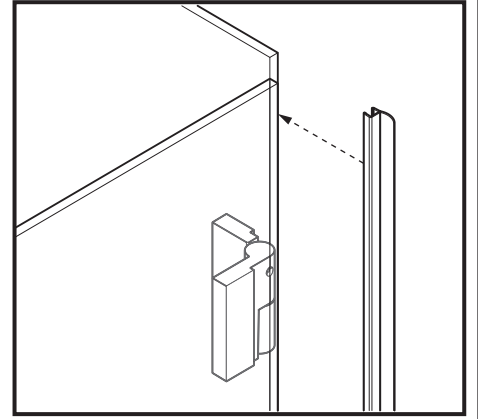
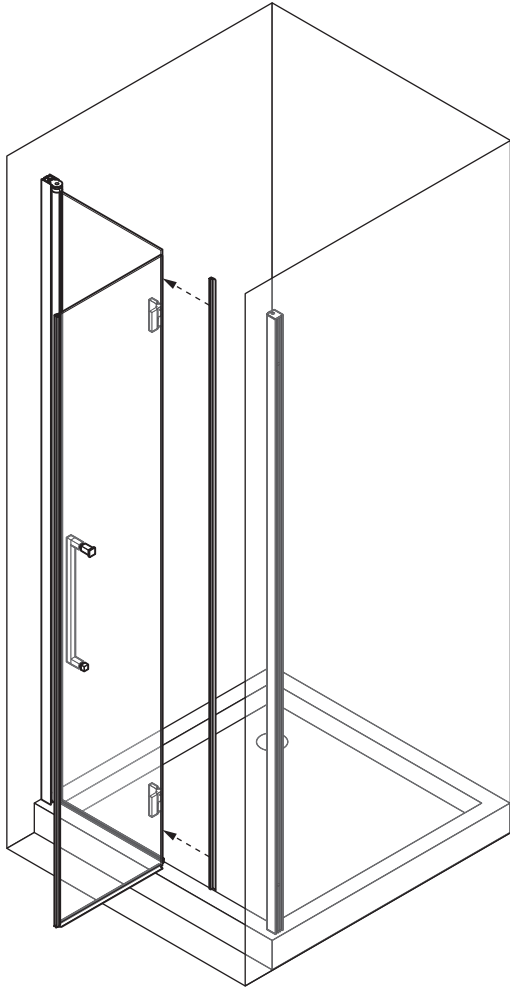
# 15



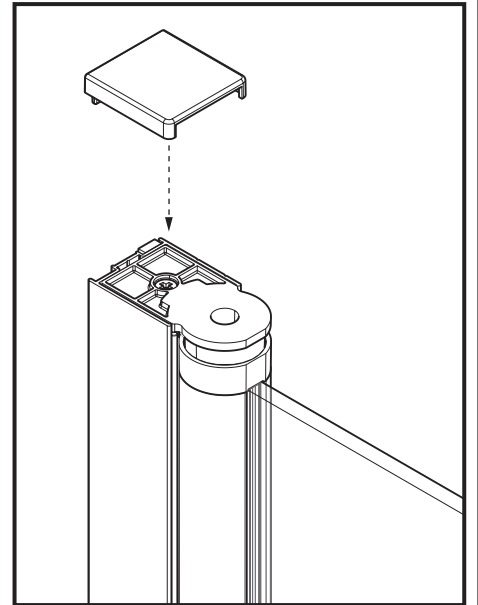
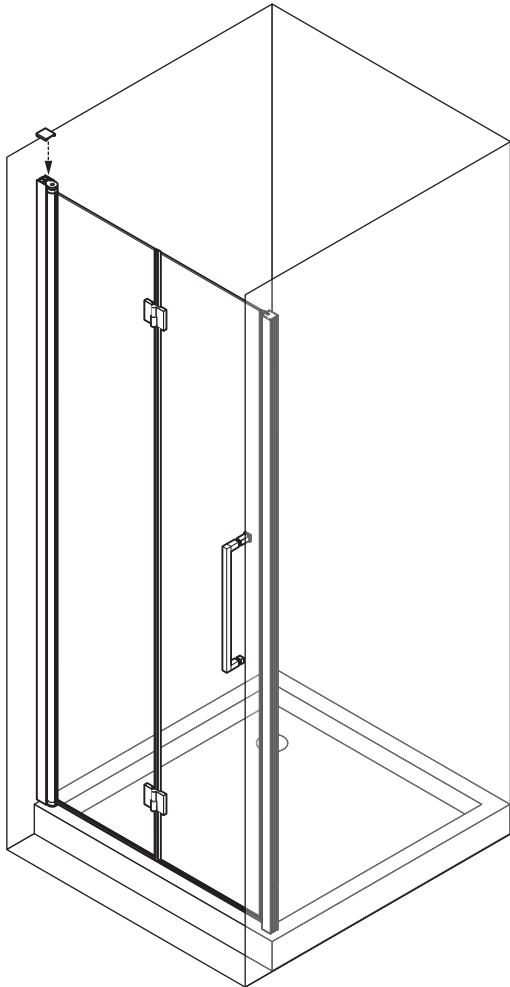
# 16



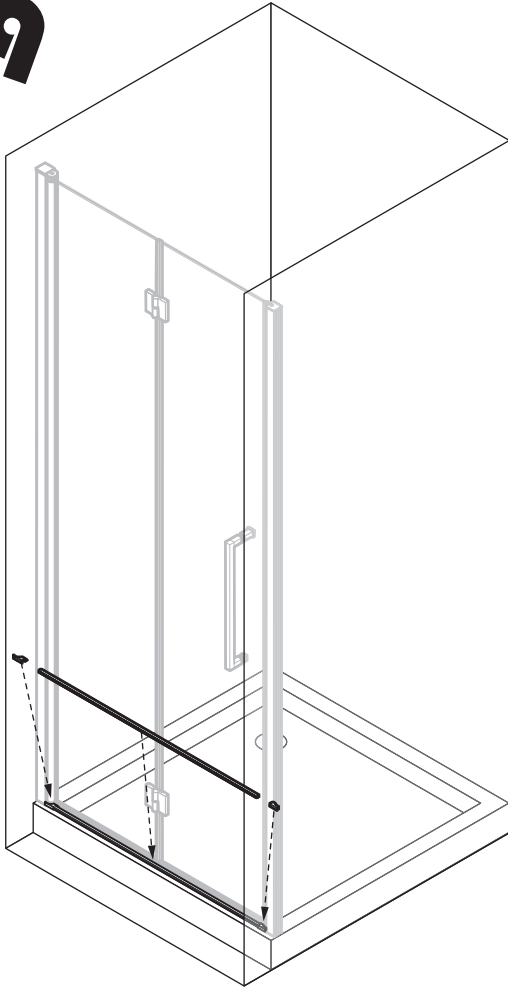
# 17



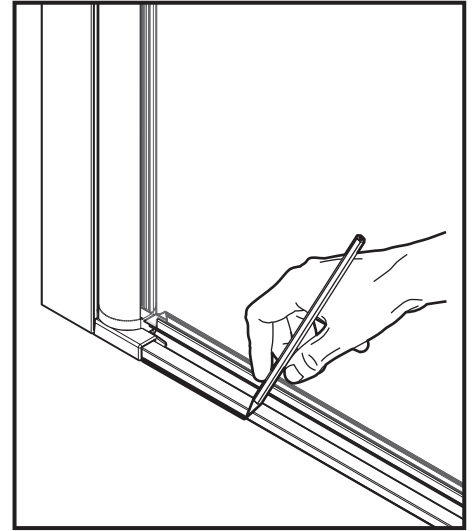
# 18



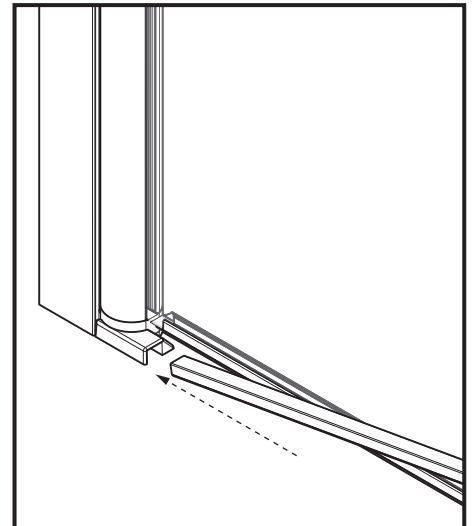
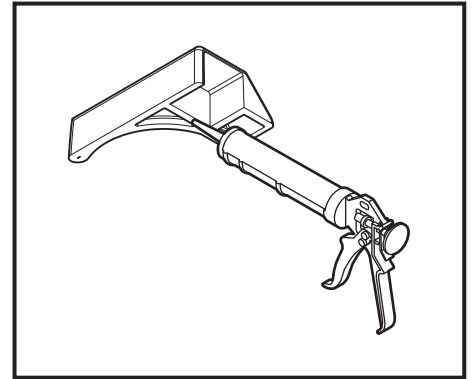
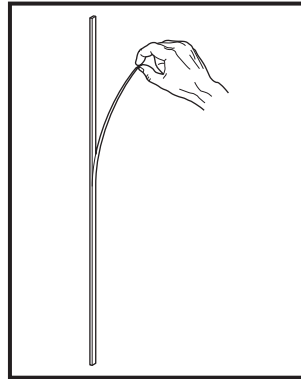
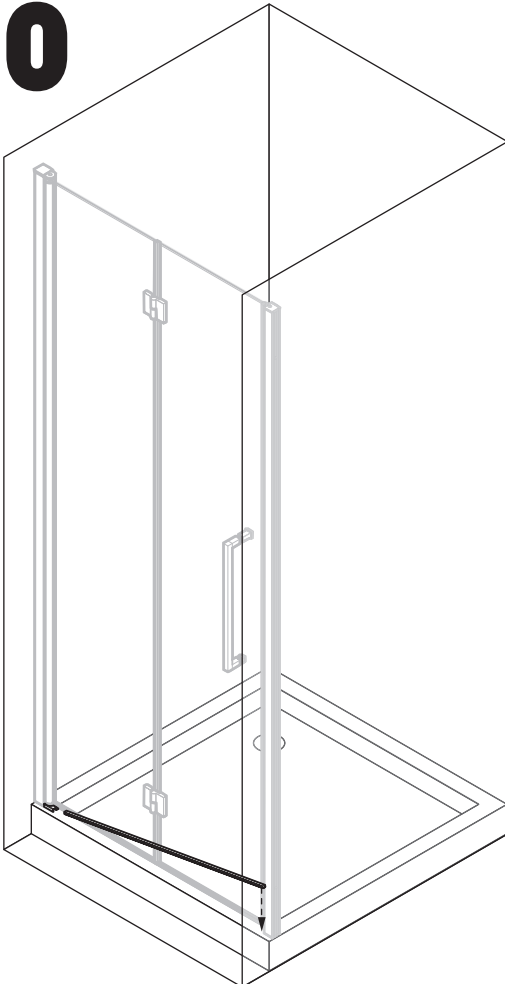
# 19



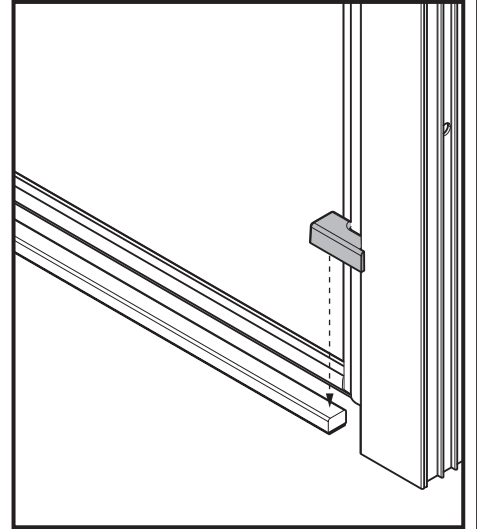
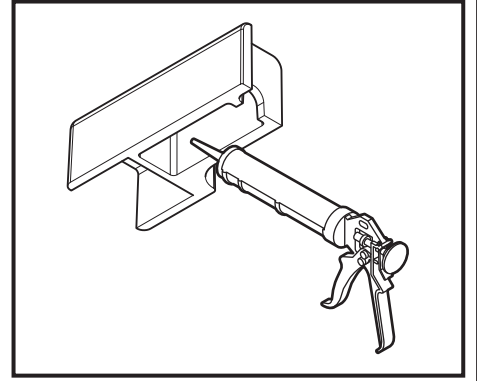
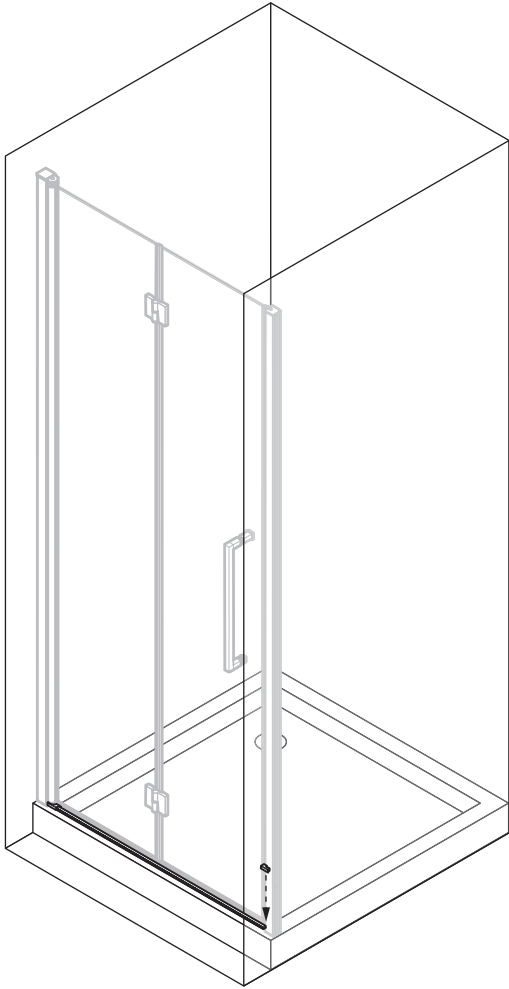
mod. 1BS	mm
1BS57	458
1BS65	538
1BS67	558
1BS72	608
1BS77	658
1BS82	708
1BS87	758
1BS94	828
1BS97	858
1BS107	958
1BS117	1058



# 20



**21**



**22**

