

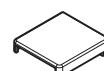
x1



x1



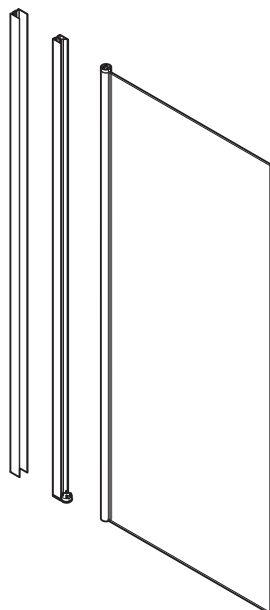
x1



x1



x1



FU8x50 x2



3,5x32 x1



3,5x9,5 x2



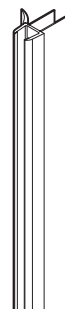
4,5x60 x2



x2



x2



x1

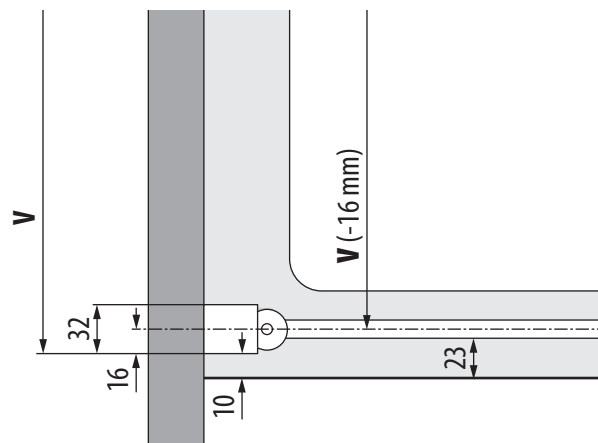


x1

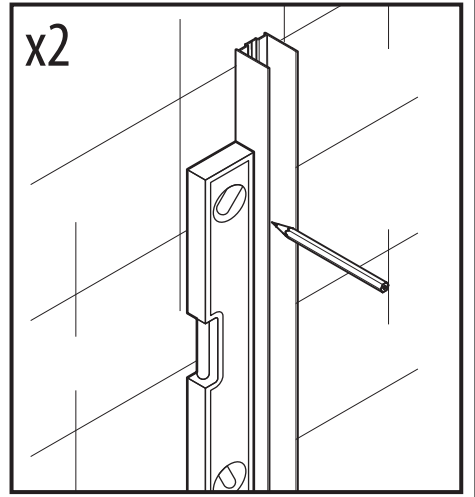
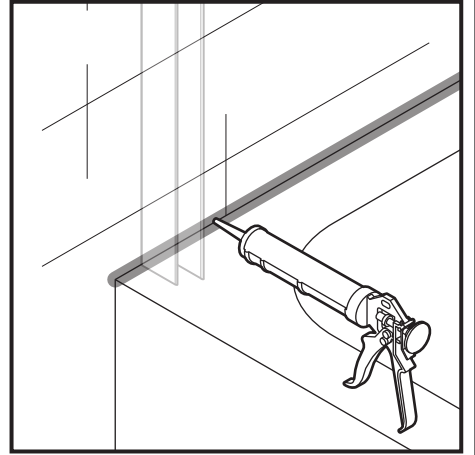
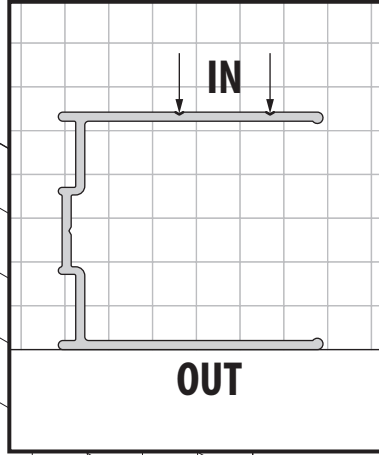
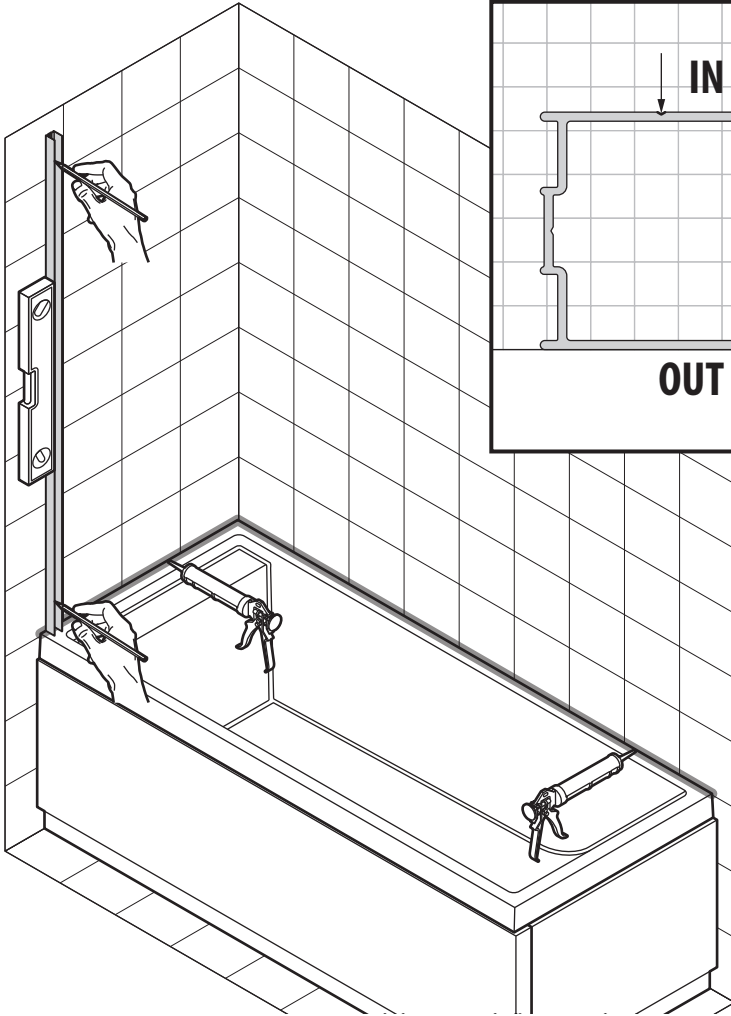


x2

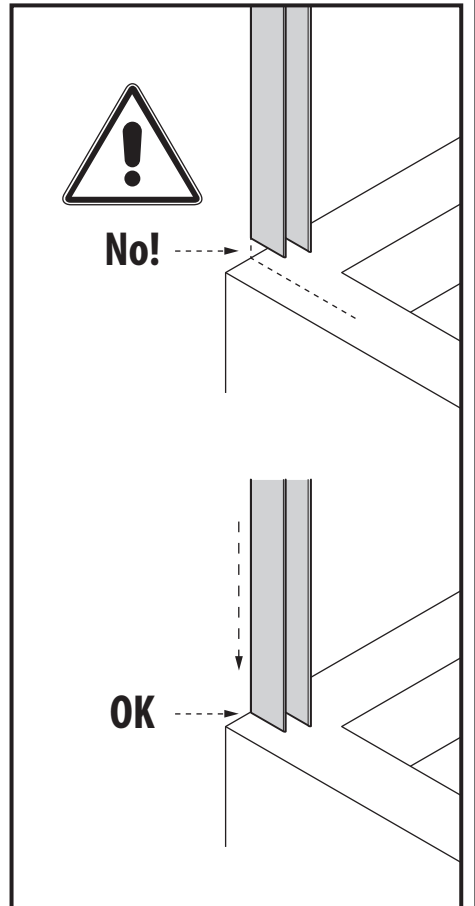
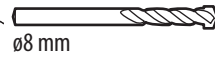
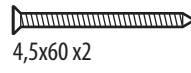
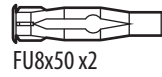
1V	L mm
70	670-690
75	720-740
80	770-790
85	820-840
90	870-890



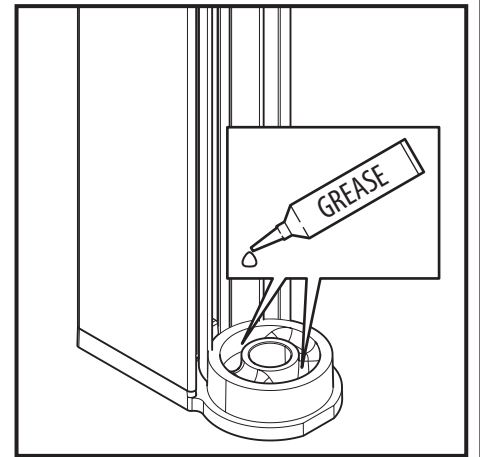
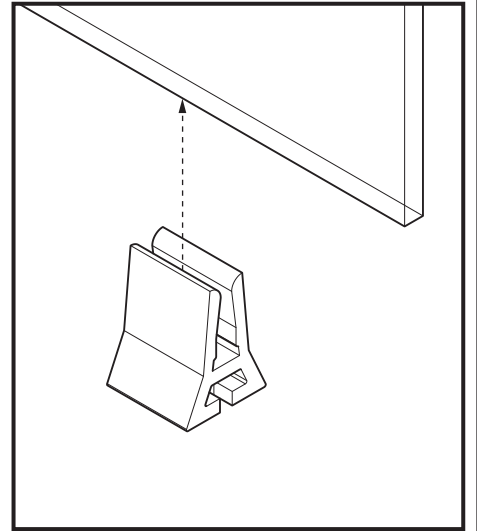
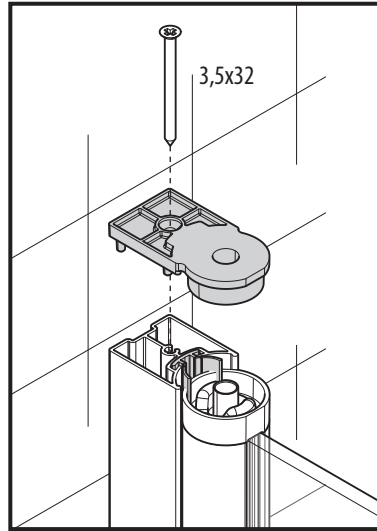
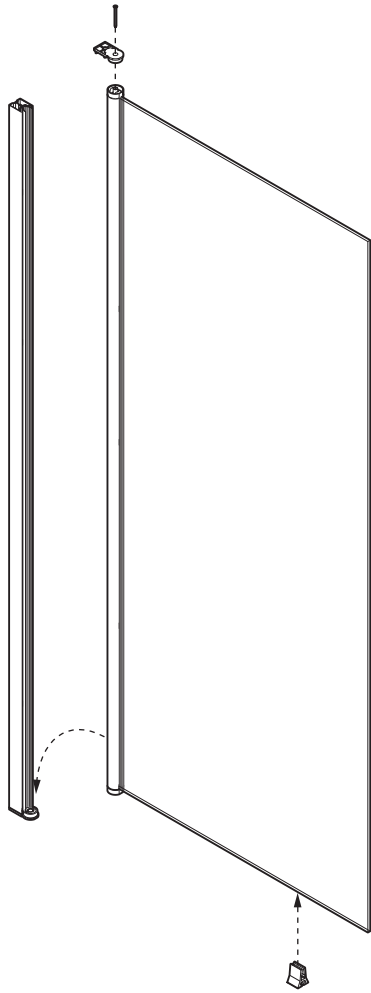
# 1



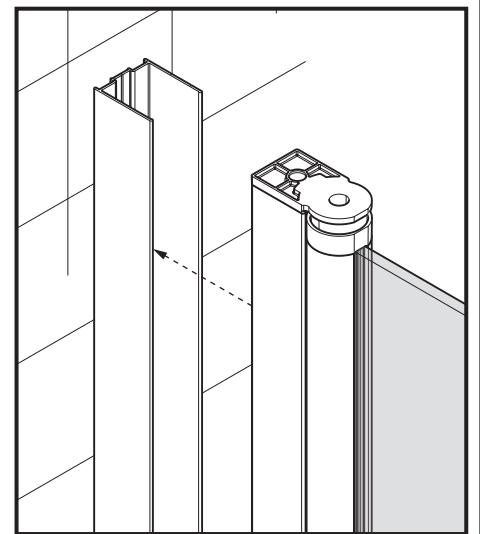
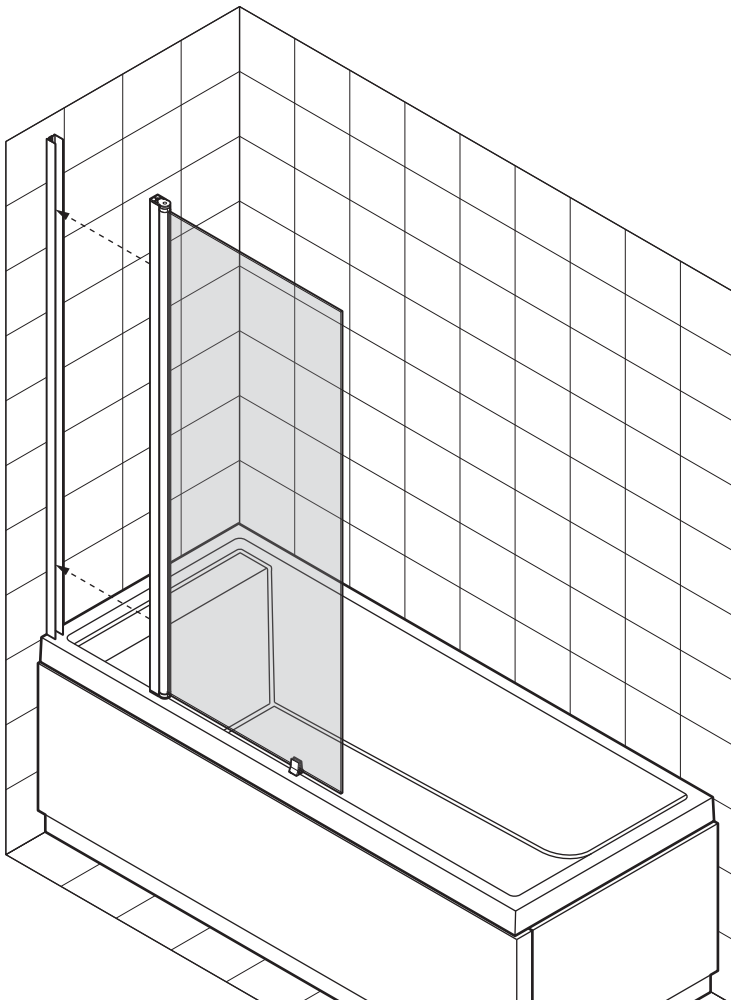
# 2



# 3

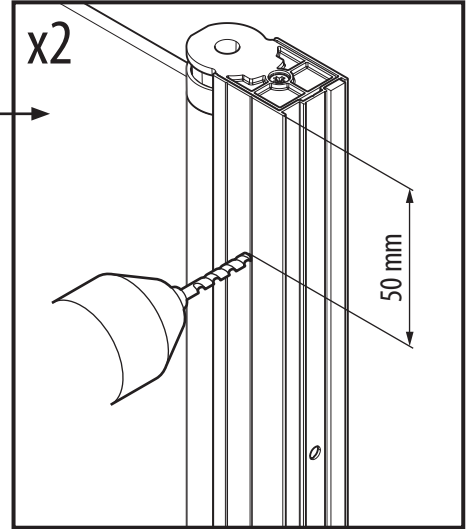
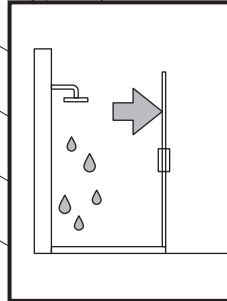
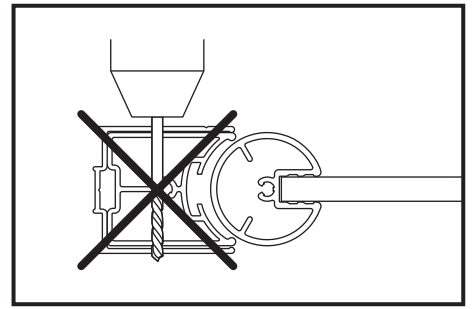
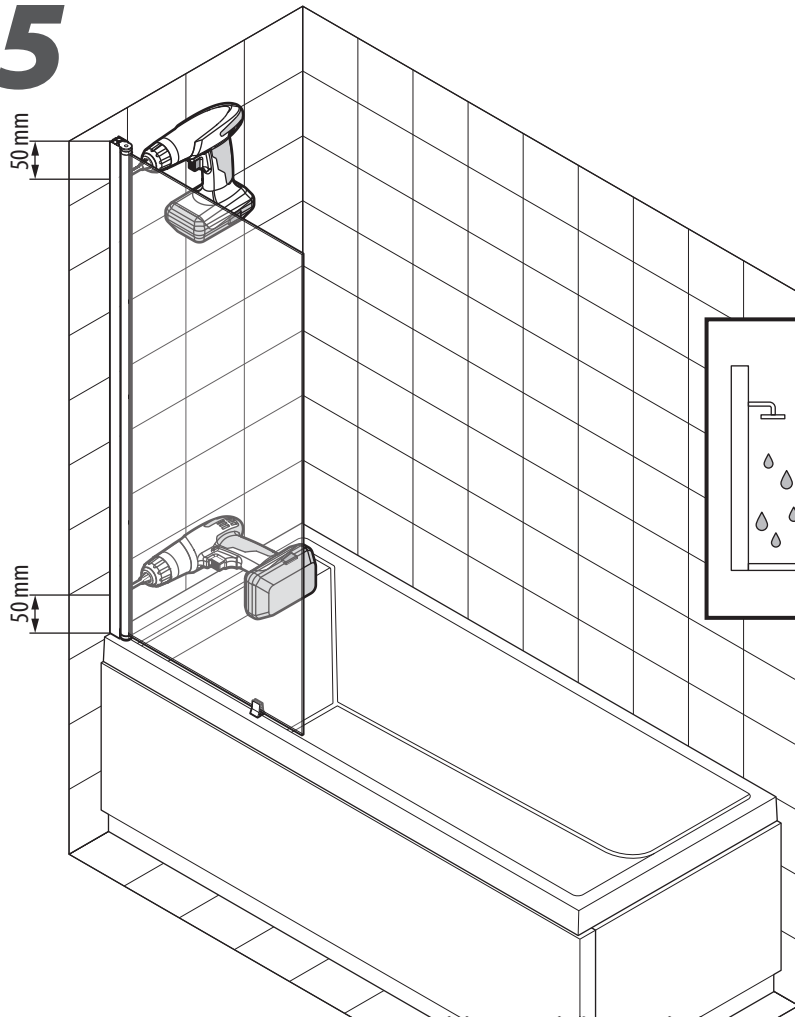


# 4

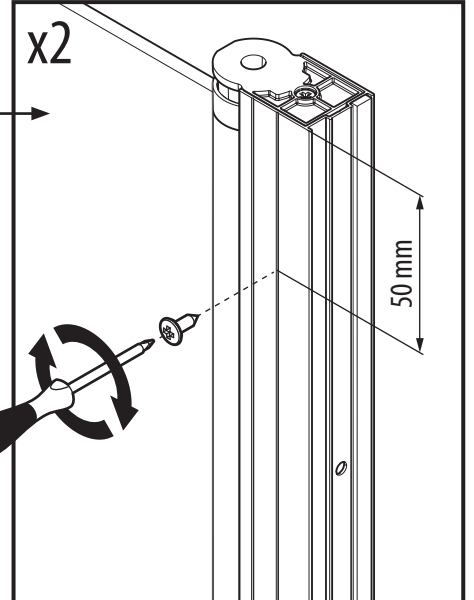
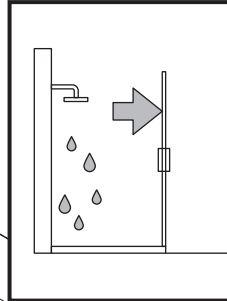
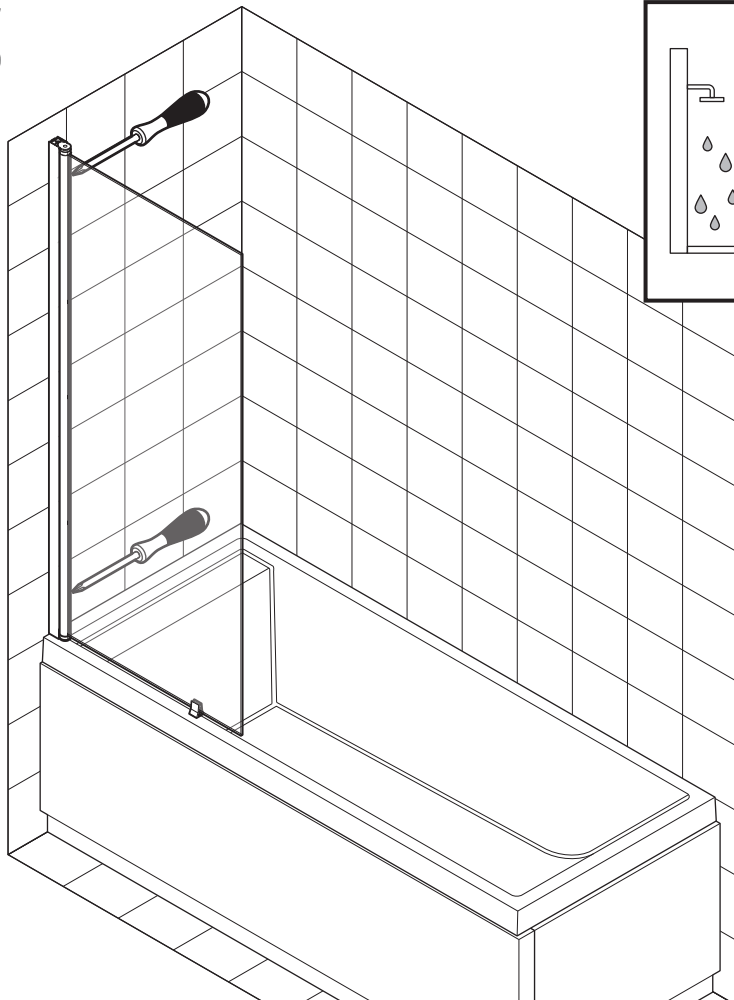



5

# 5



# 6

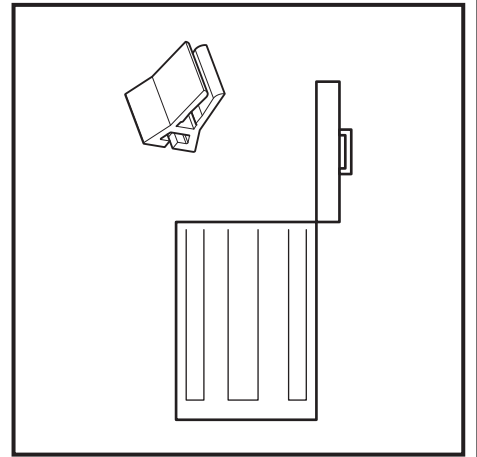
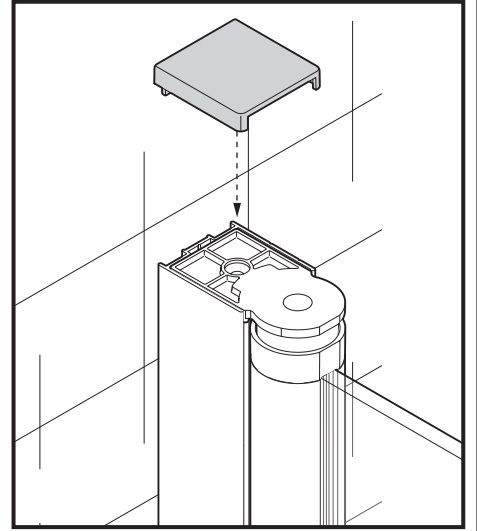
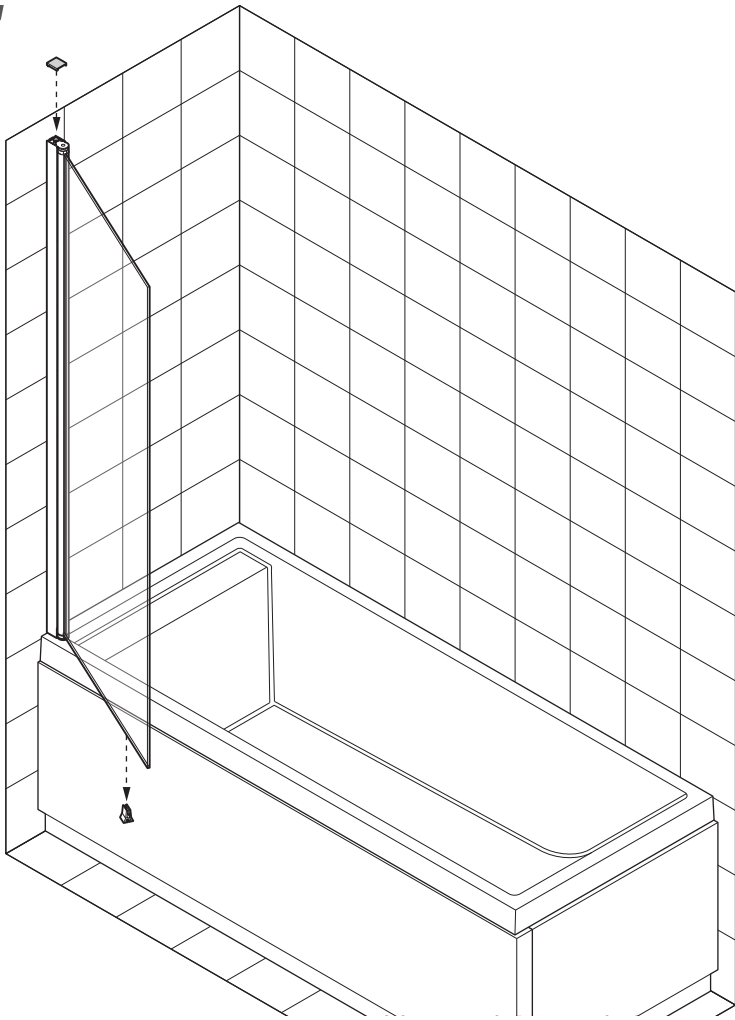


 3,5x9,5 mm x2

 x2

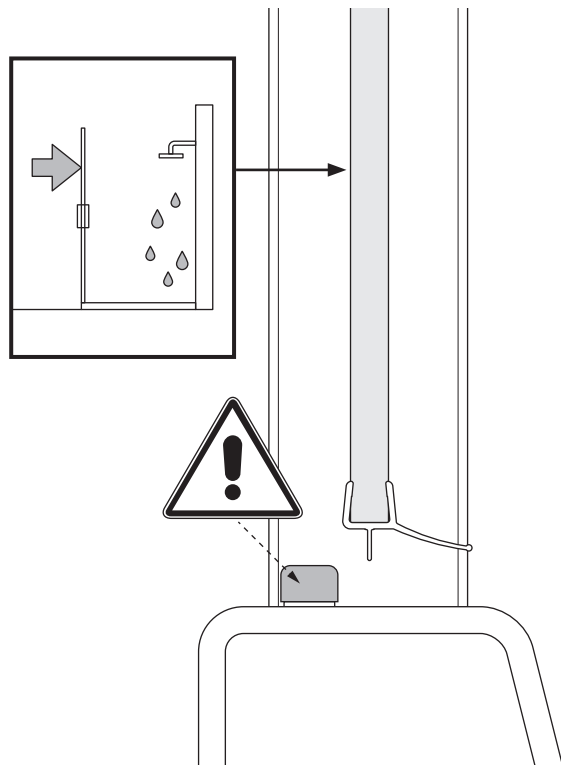
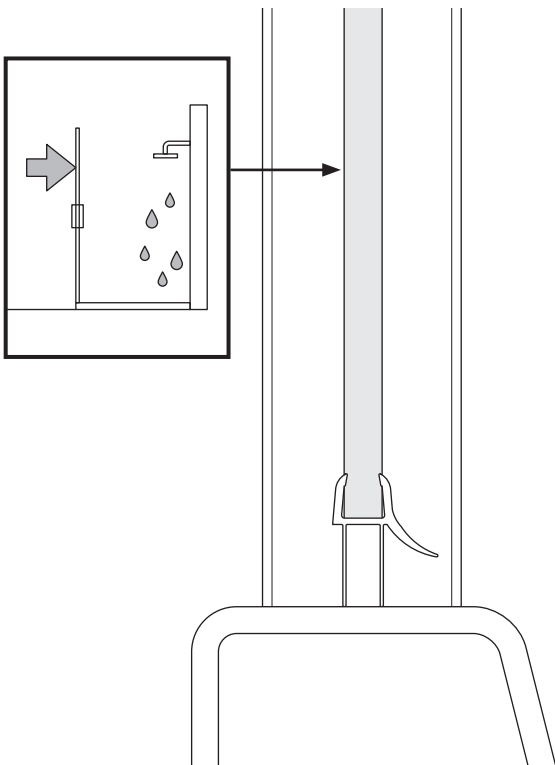
6

7

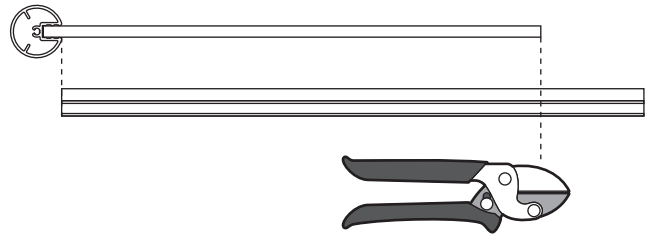
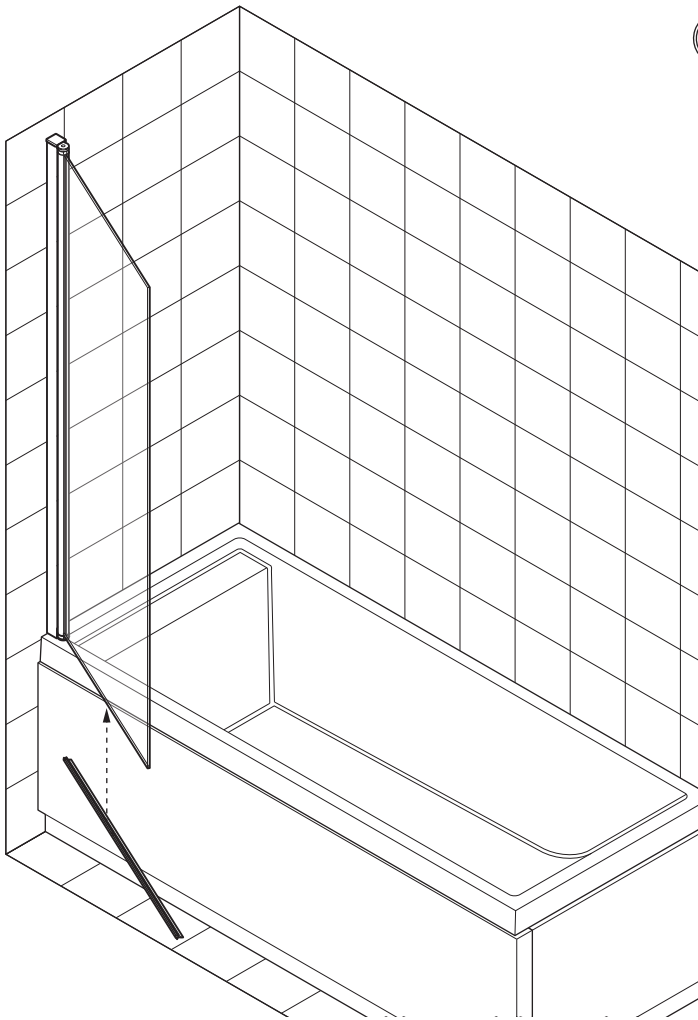


**A**

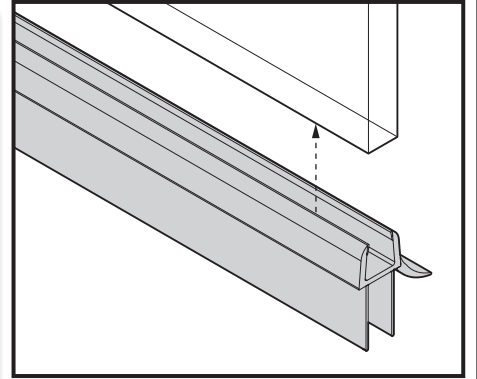
**B**



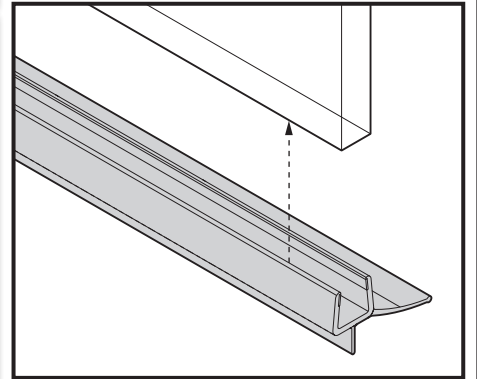
8



A

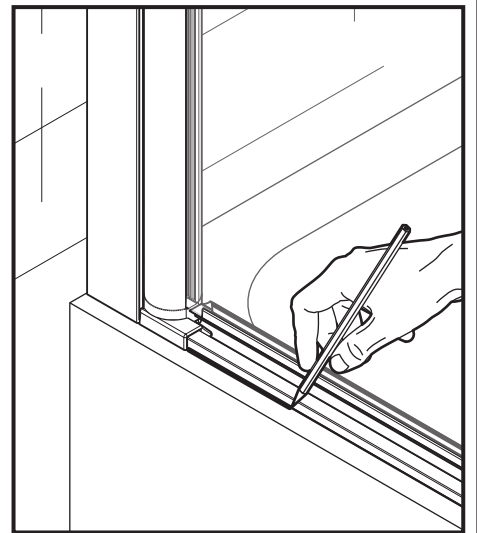
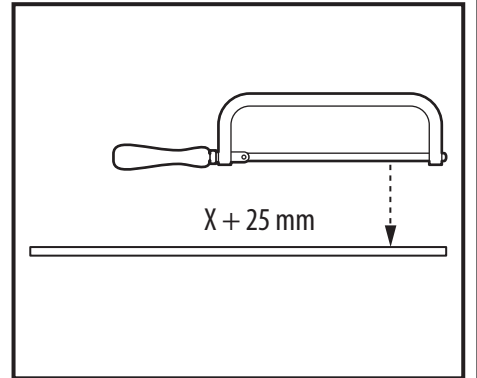
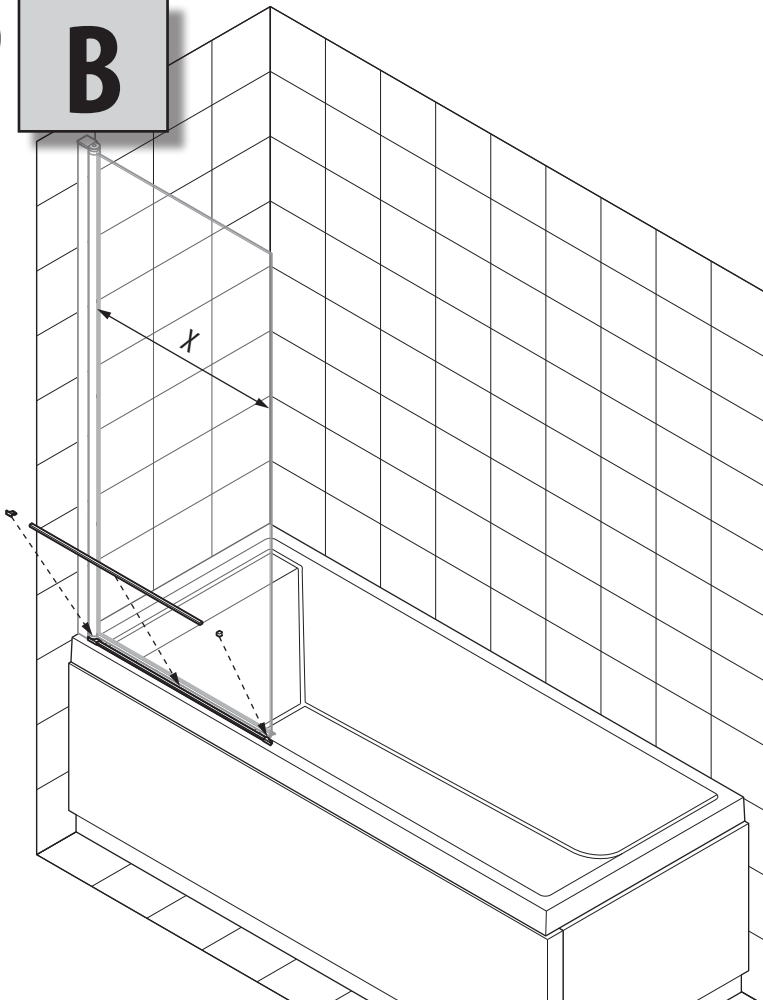


B



9

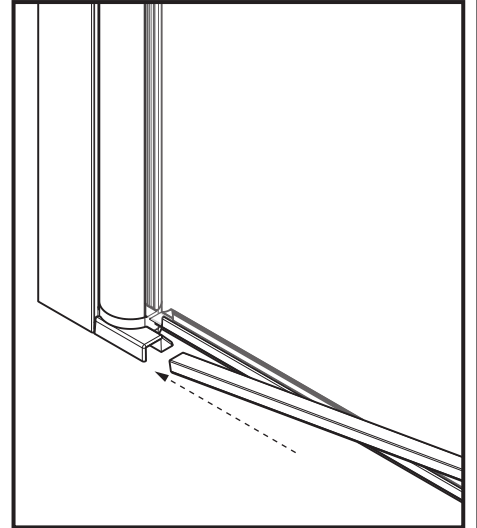
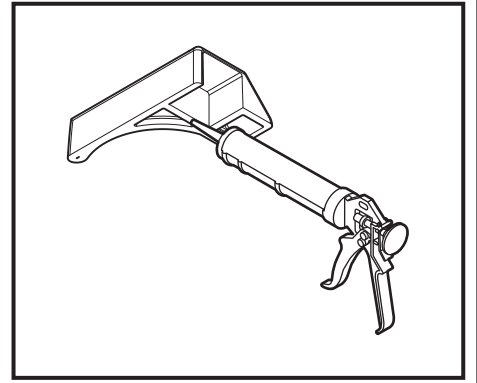
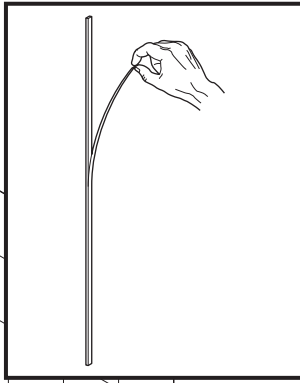
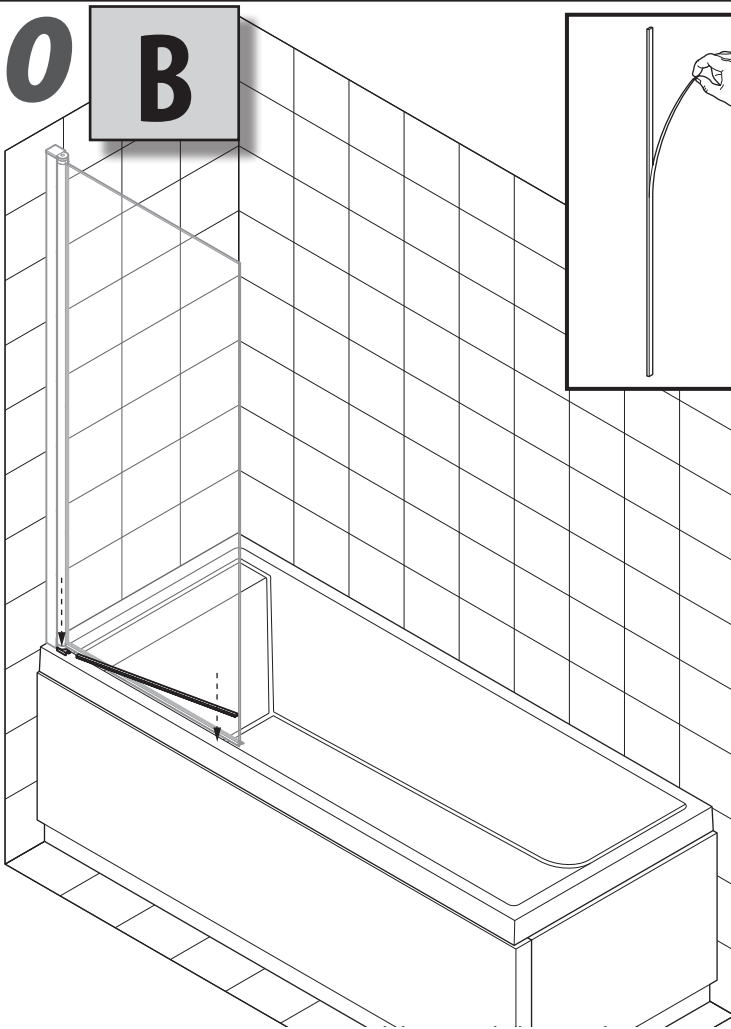
B





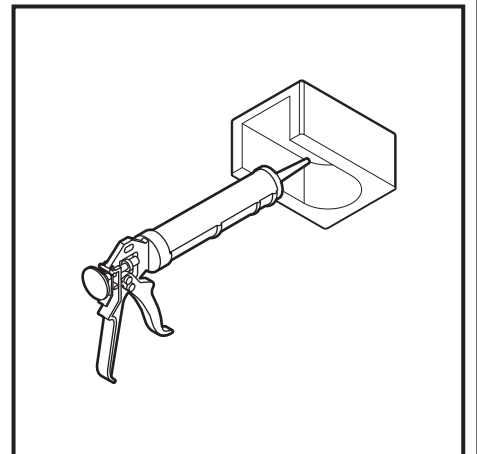
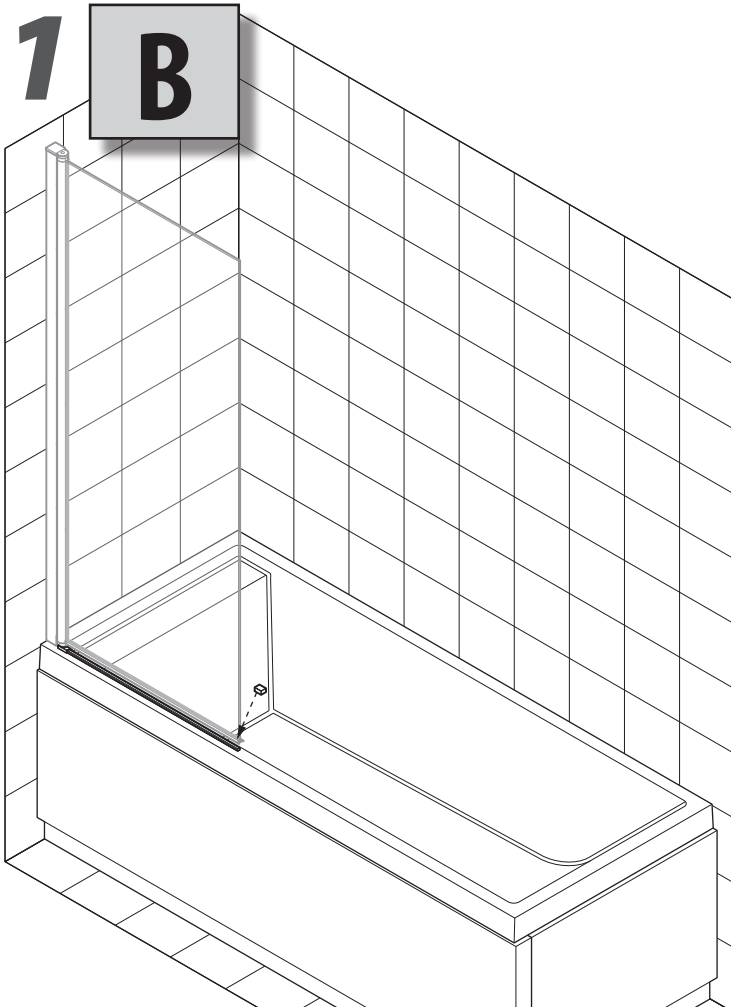
# 10

## B

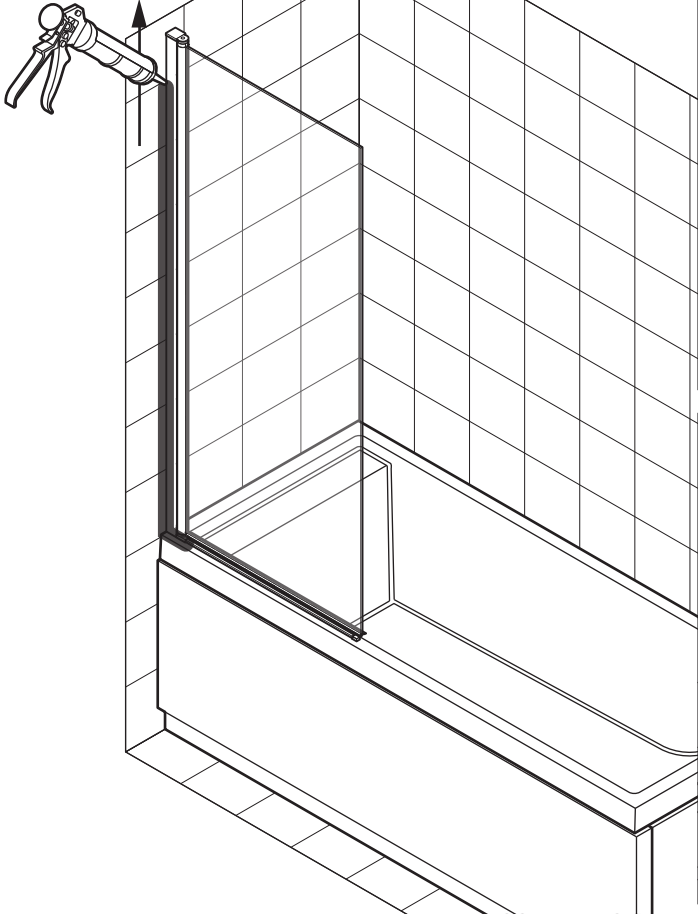


# 11

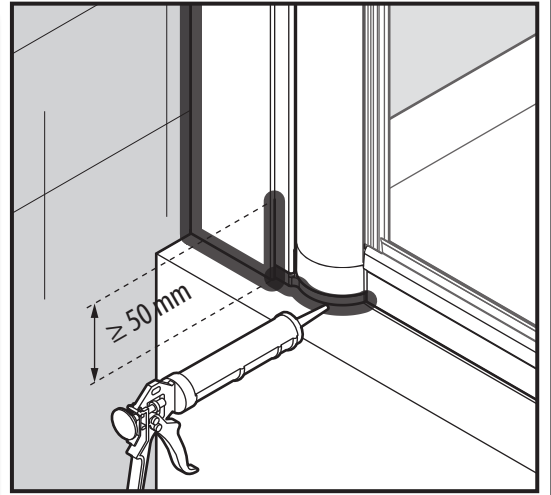
## B



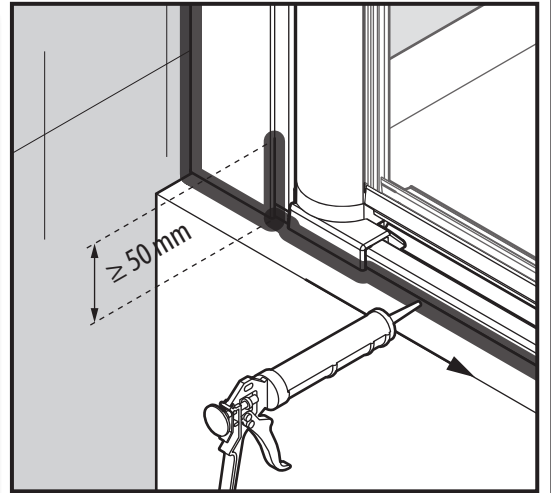
# 12



## A



## B



# 13

