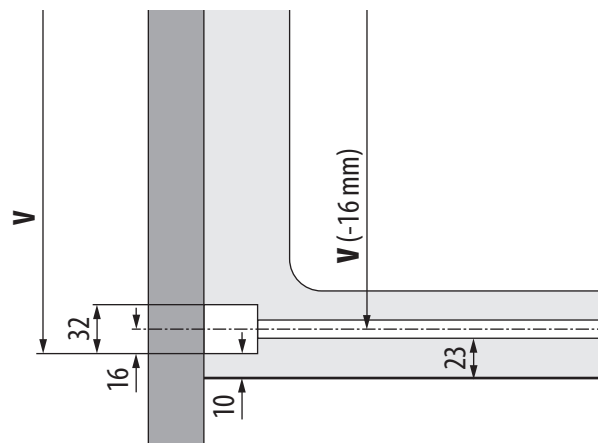
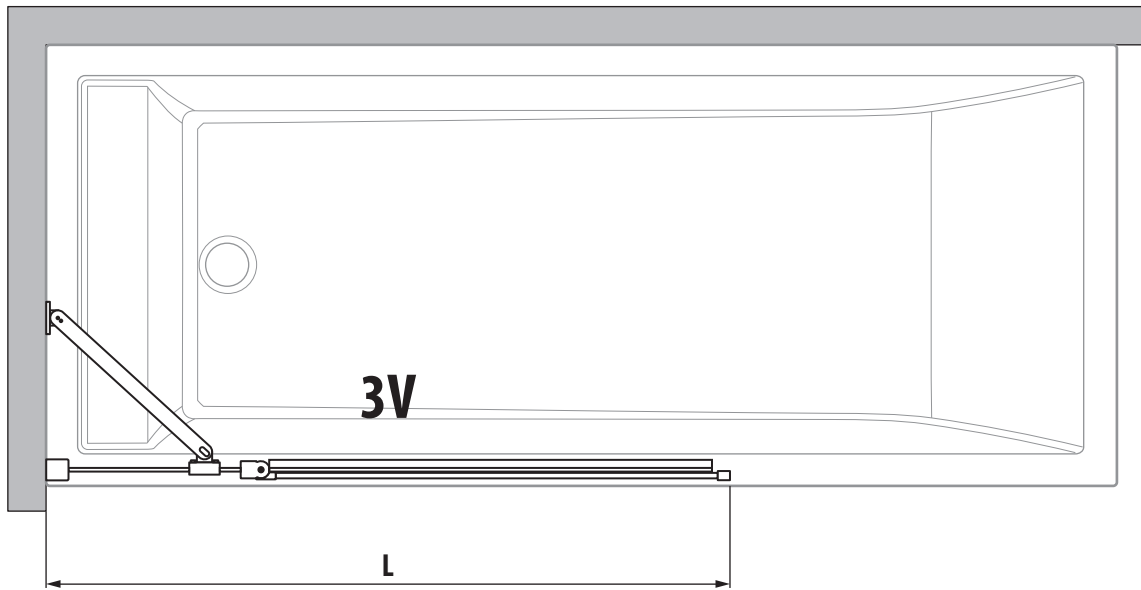
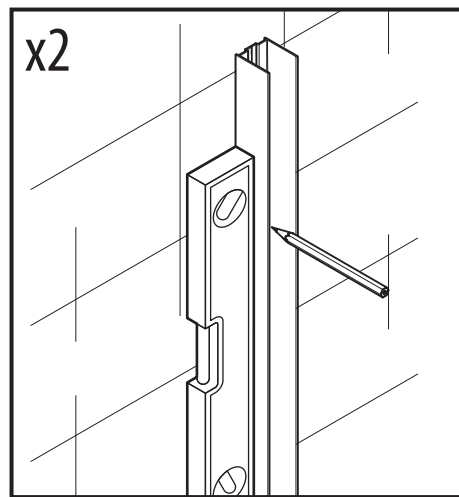
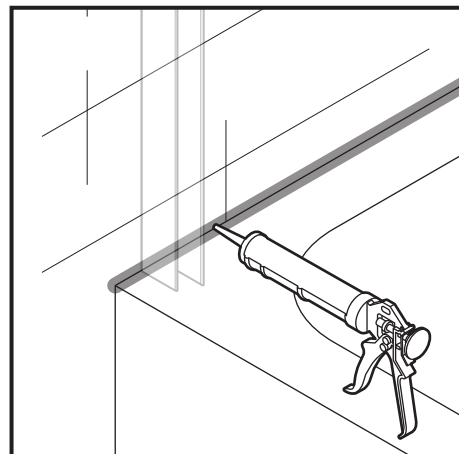
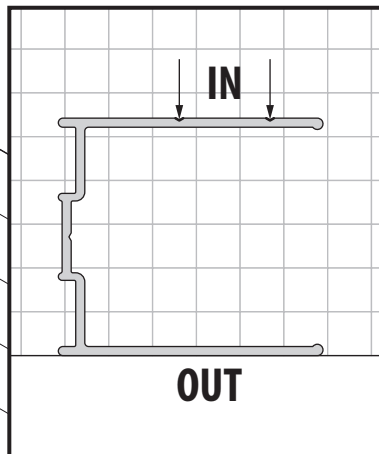
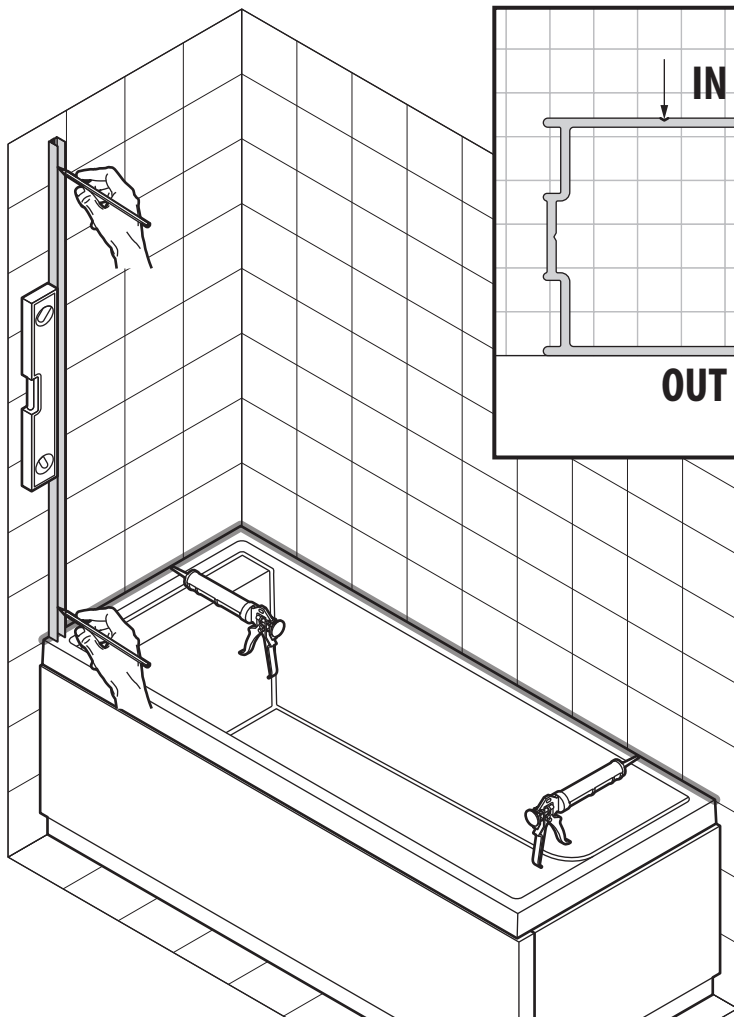


3V	L mm
100	980-1000






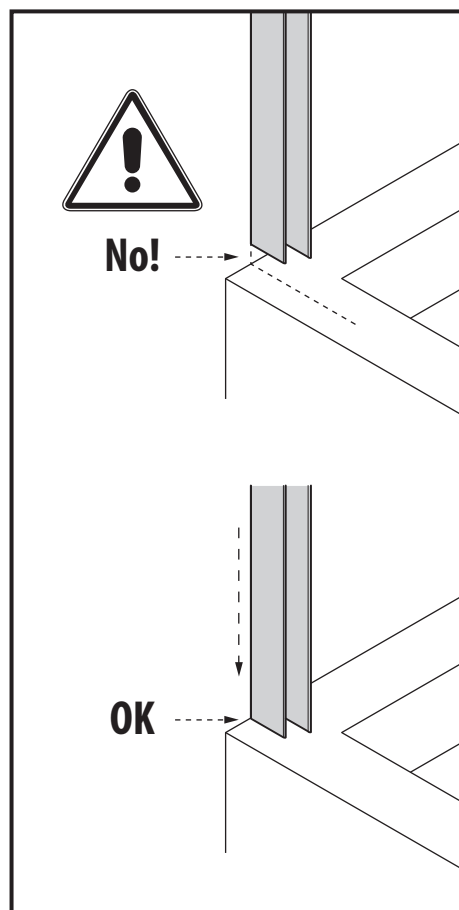
1



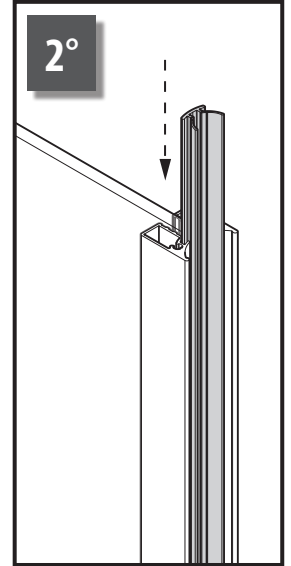
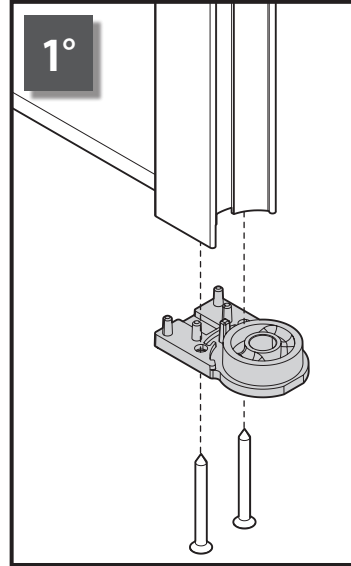
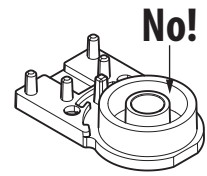
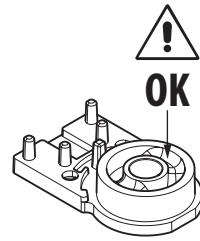
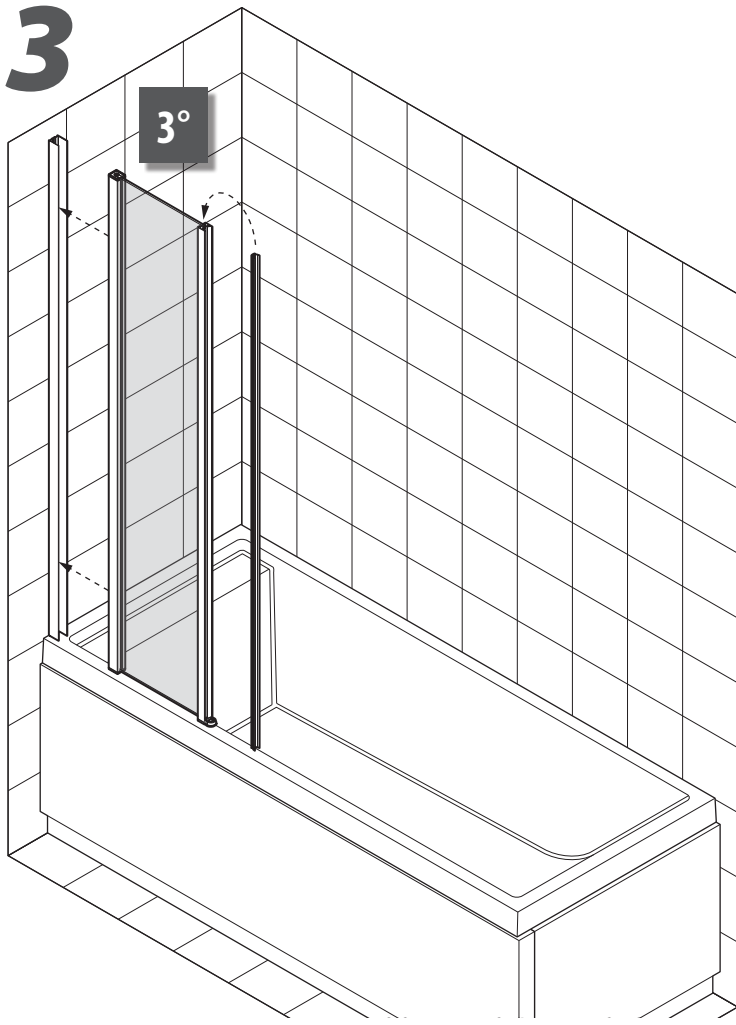
2



-  FU8x50 x2
-  4,5x60 x2
-  ø8 mm

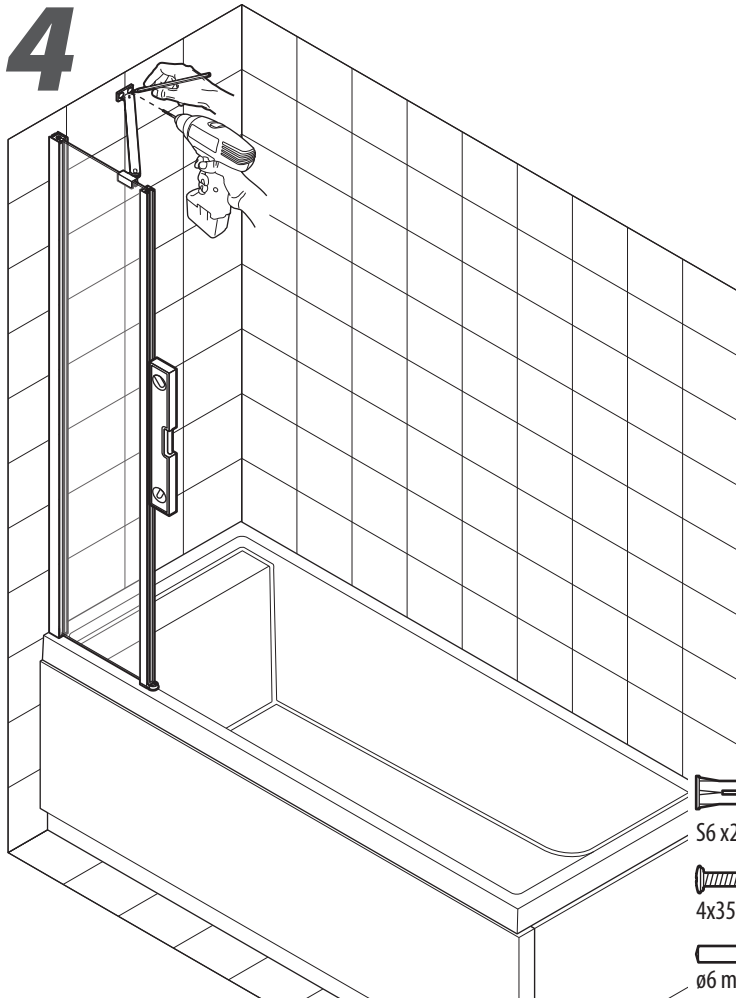


3



3,5x32 x2

4

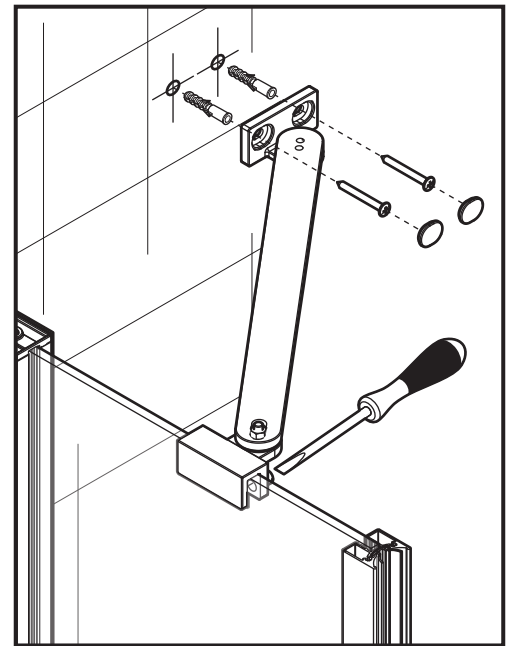
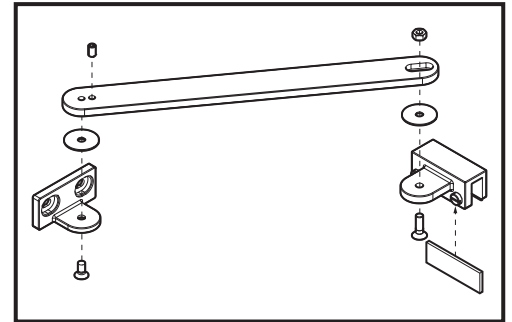


M5 x1

M5x8 x1

M5x10 x1

M5x16 x1



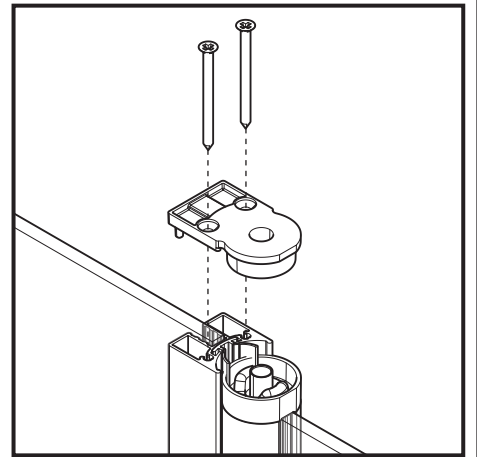
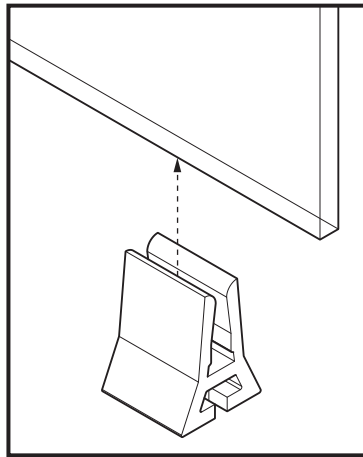
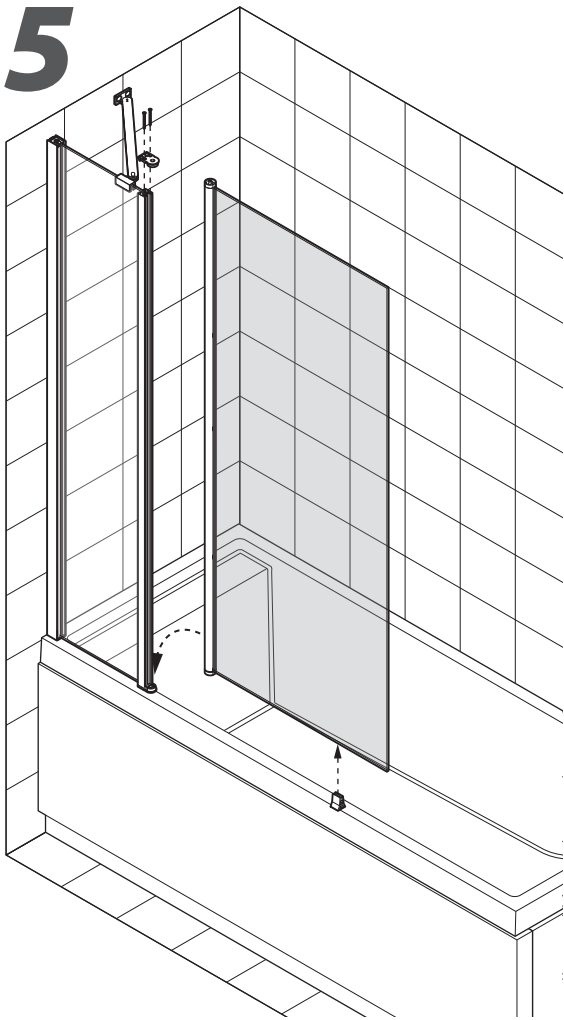
S6 x2

4x35 x2

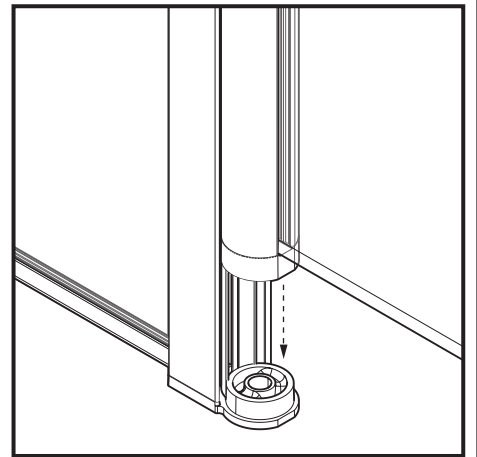
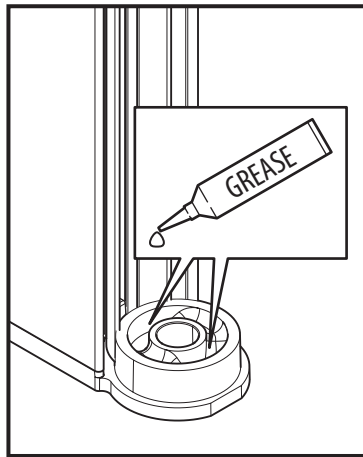
ø6 mm

5

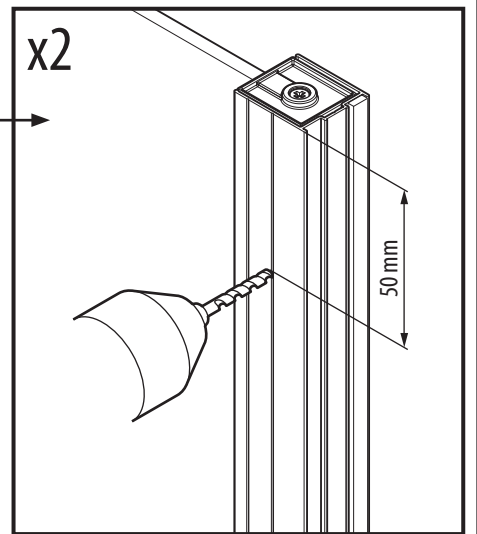
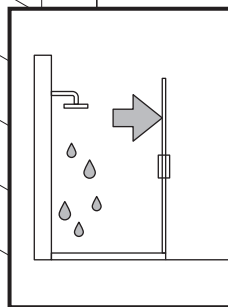
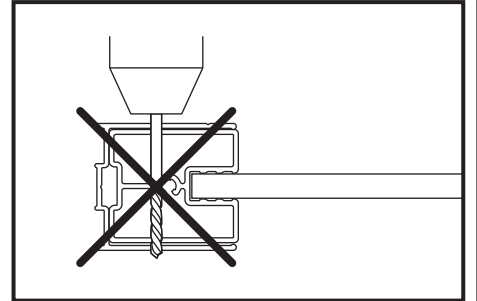
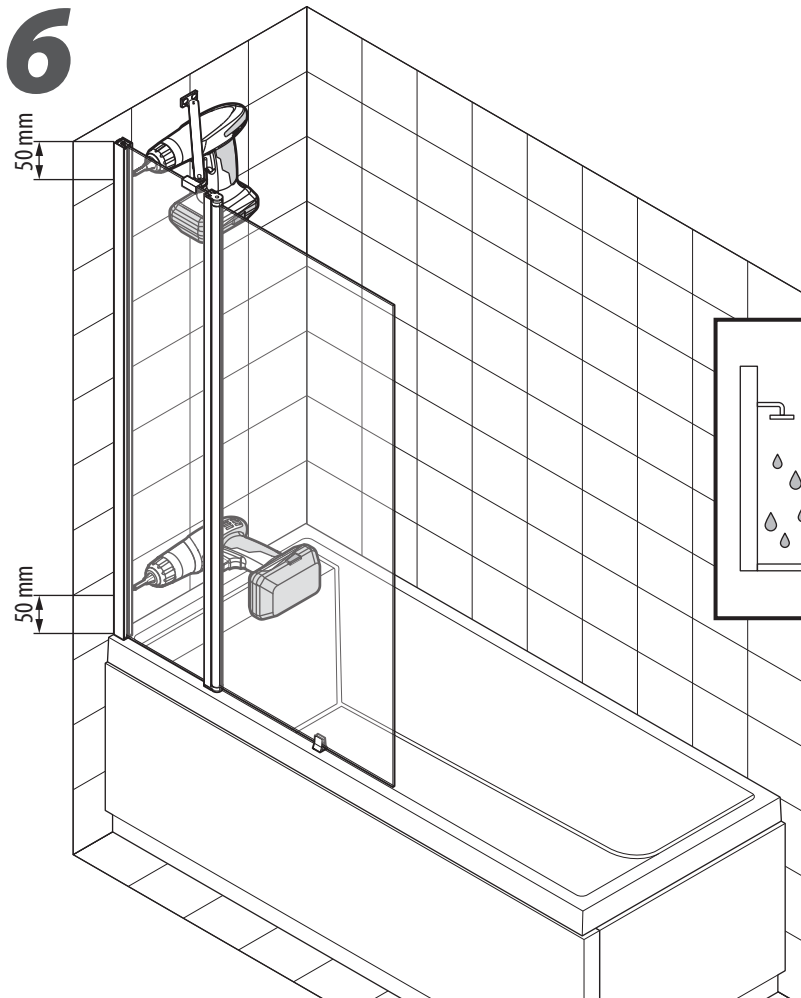
5



3,5x32 x2



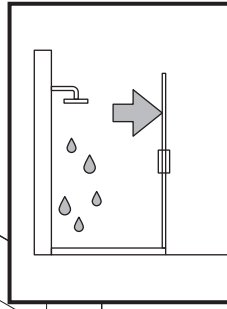
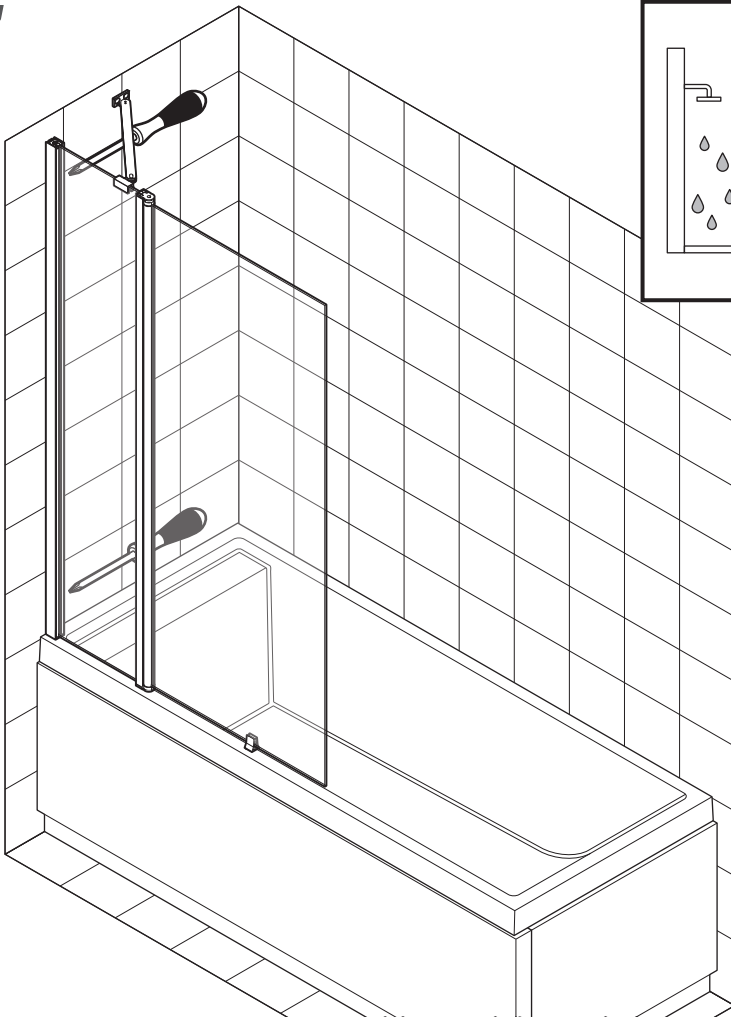
6



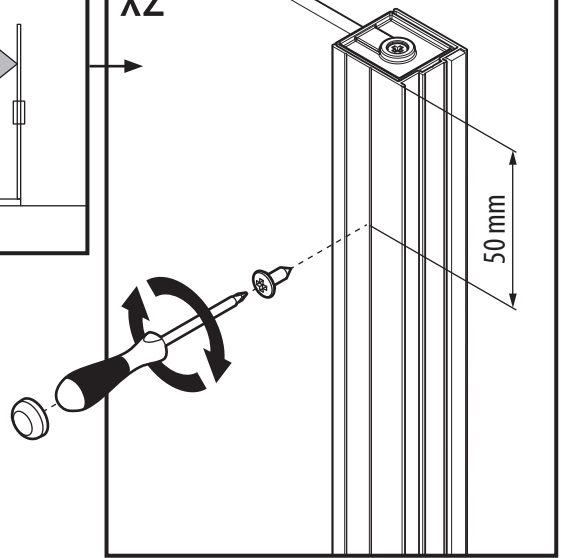
ø3 mm

6

7



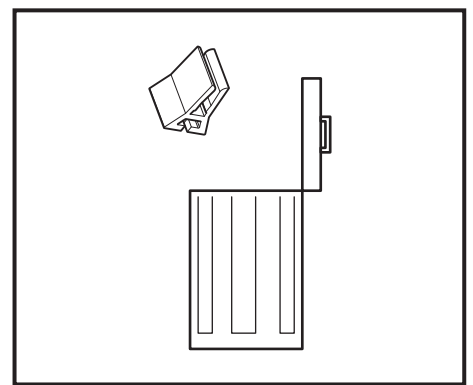
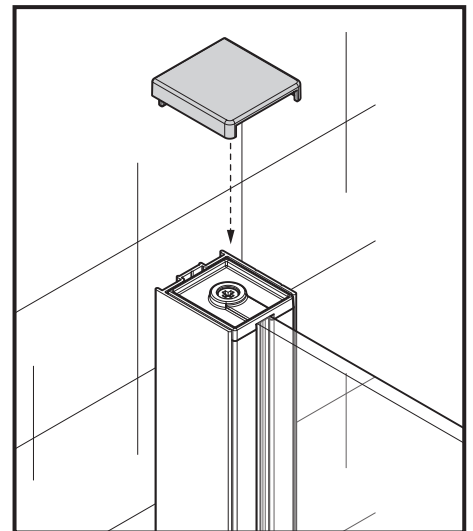
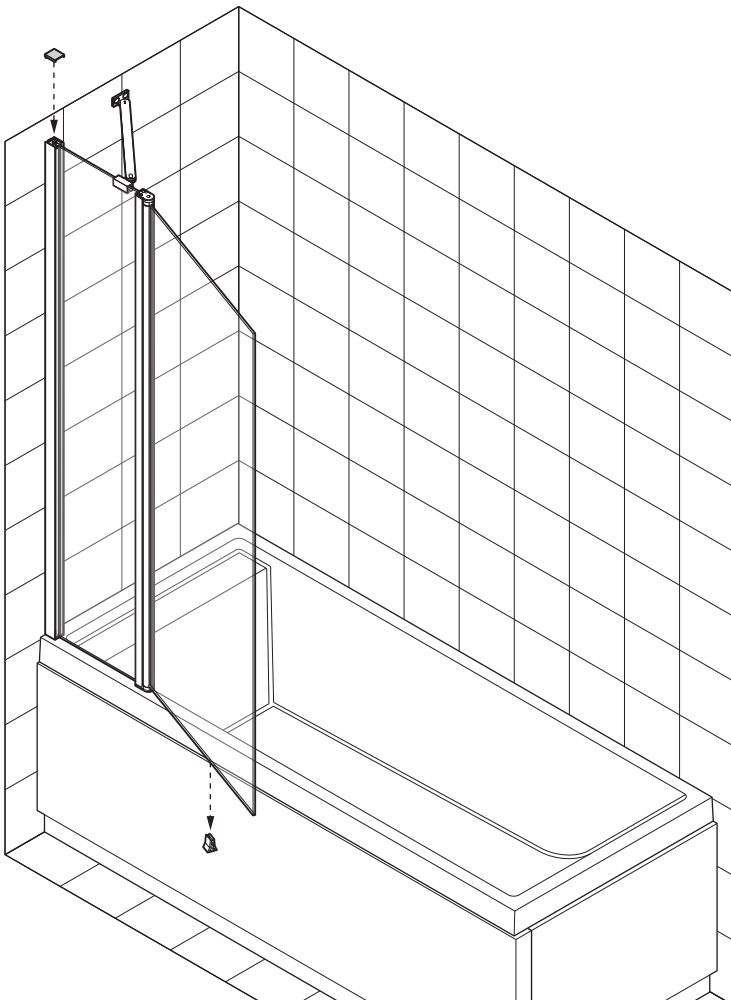
x2



3,5x9,5 mm x2

x2

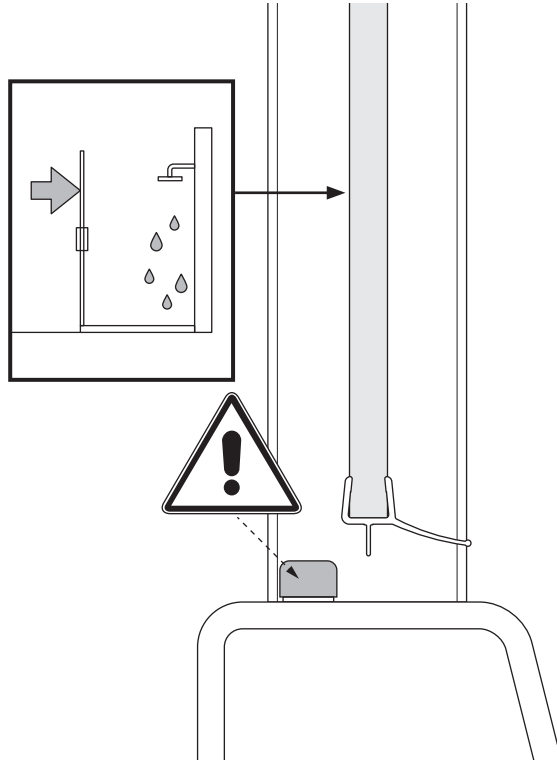
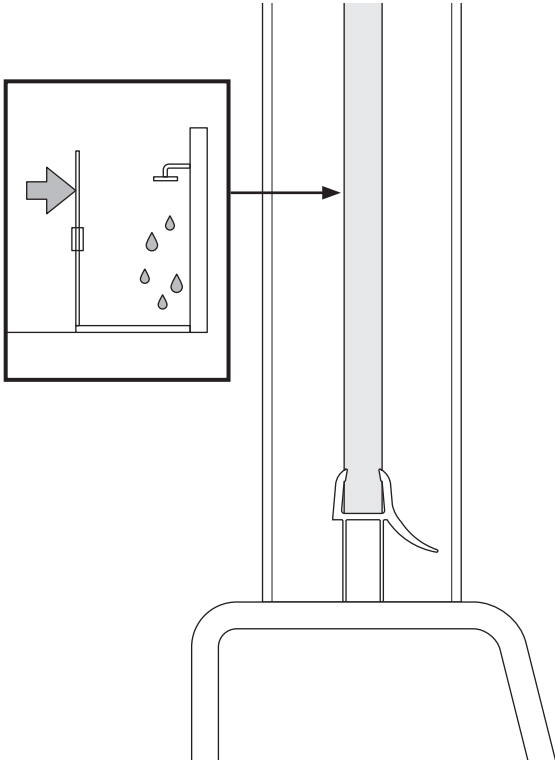
8



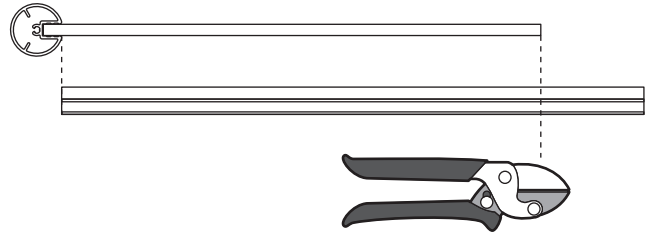
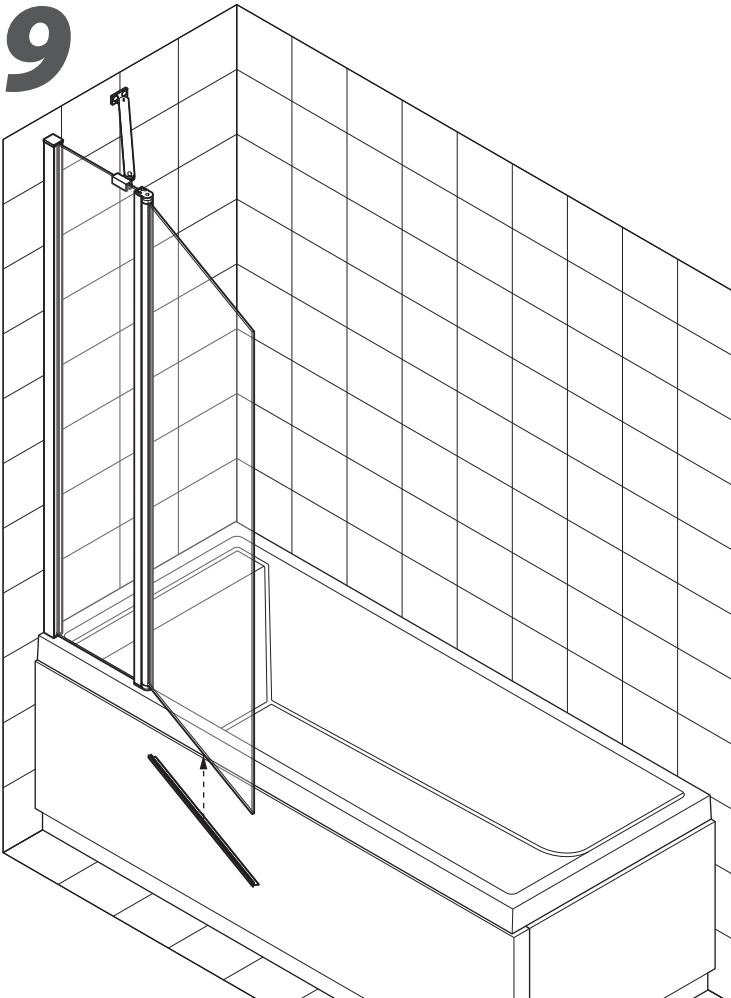
7

A

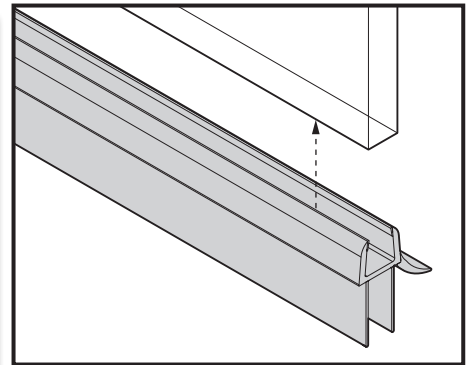
B



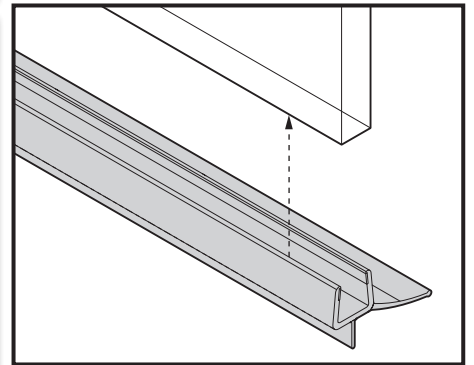
9



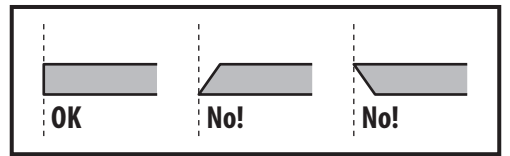
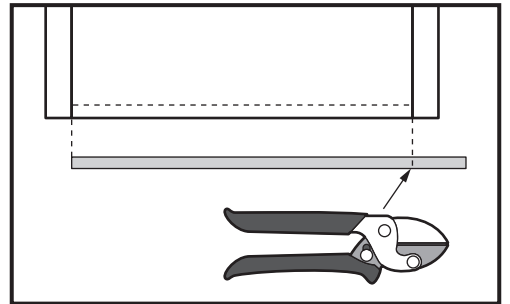
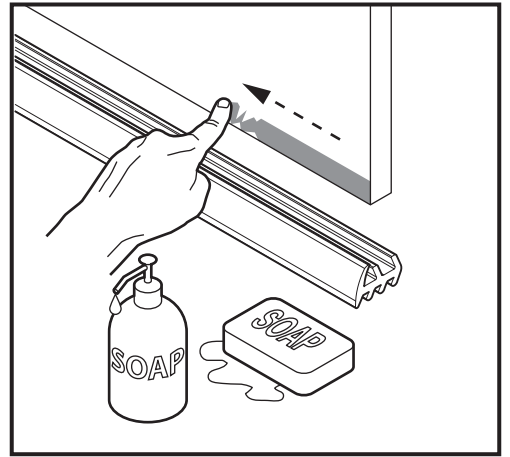
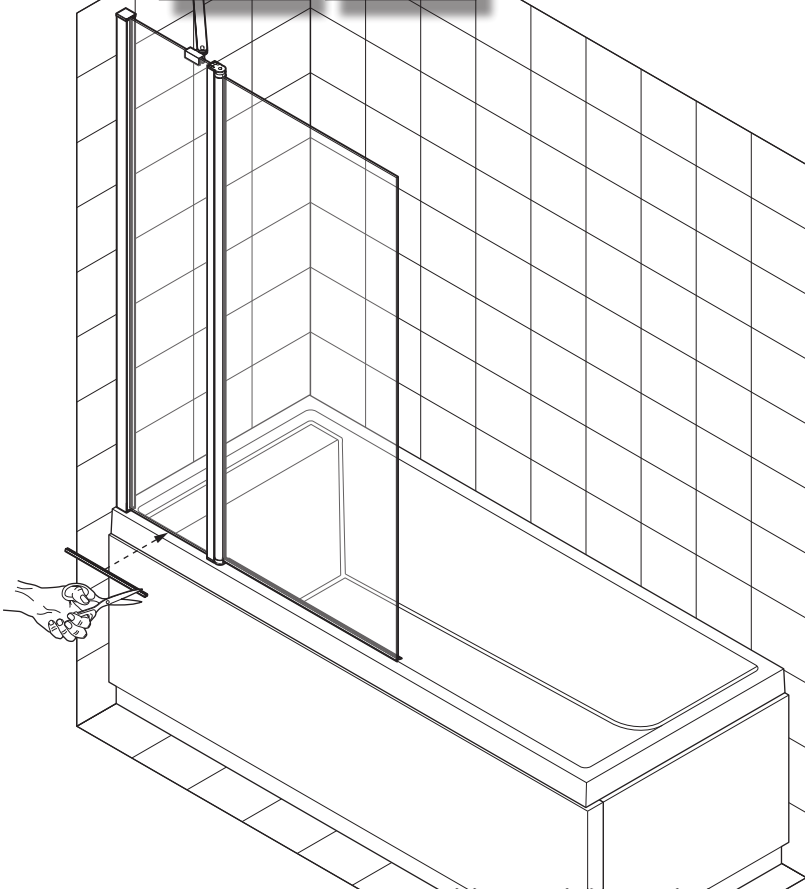
A



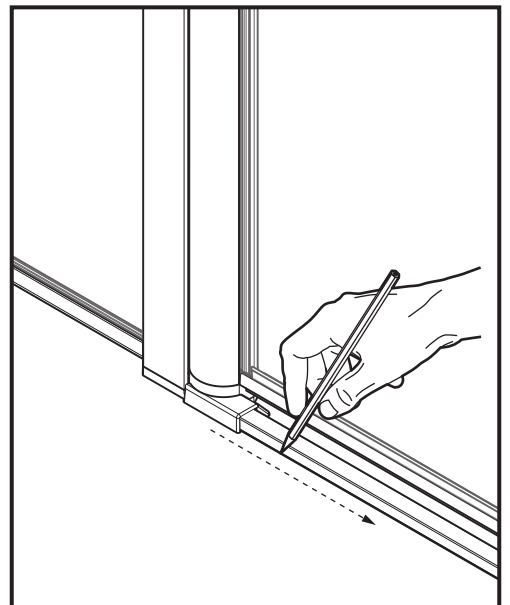
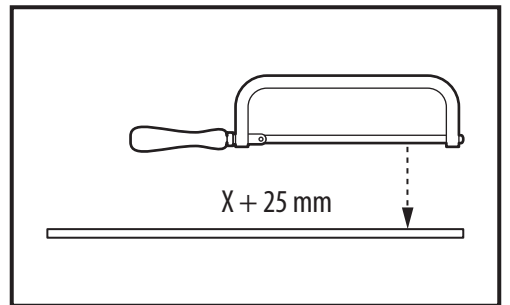
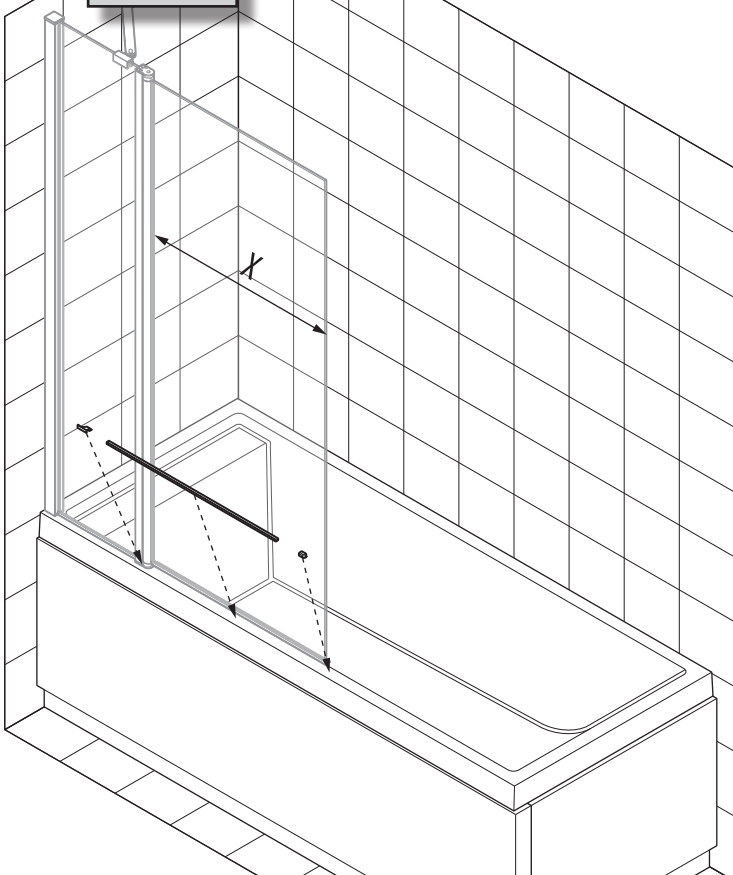
B



10 A B OPTIONAL

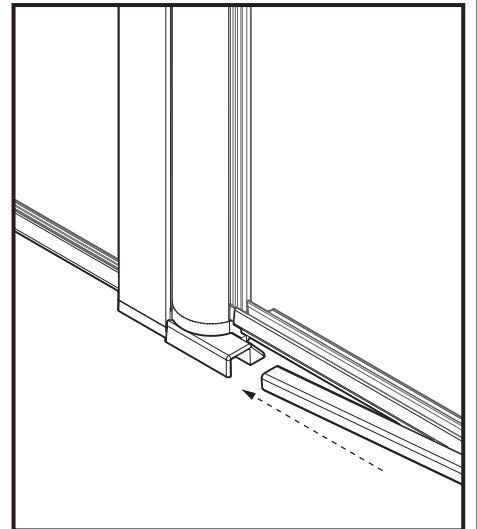
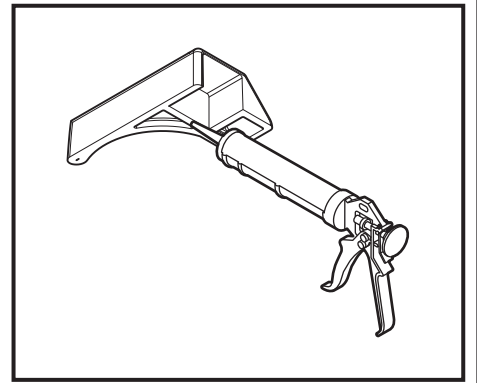
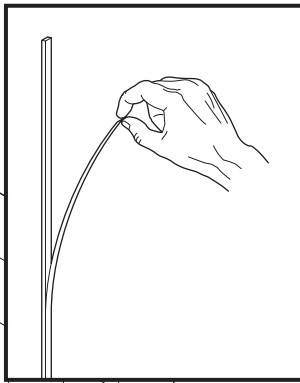
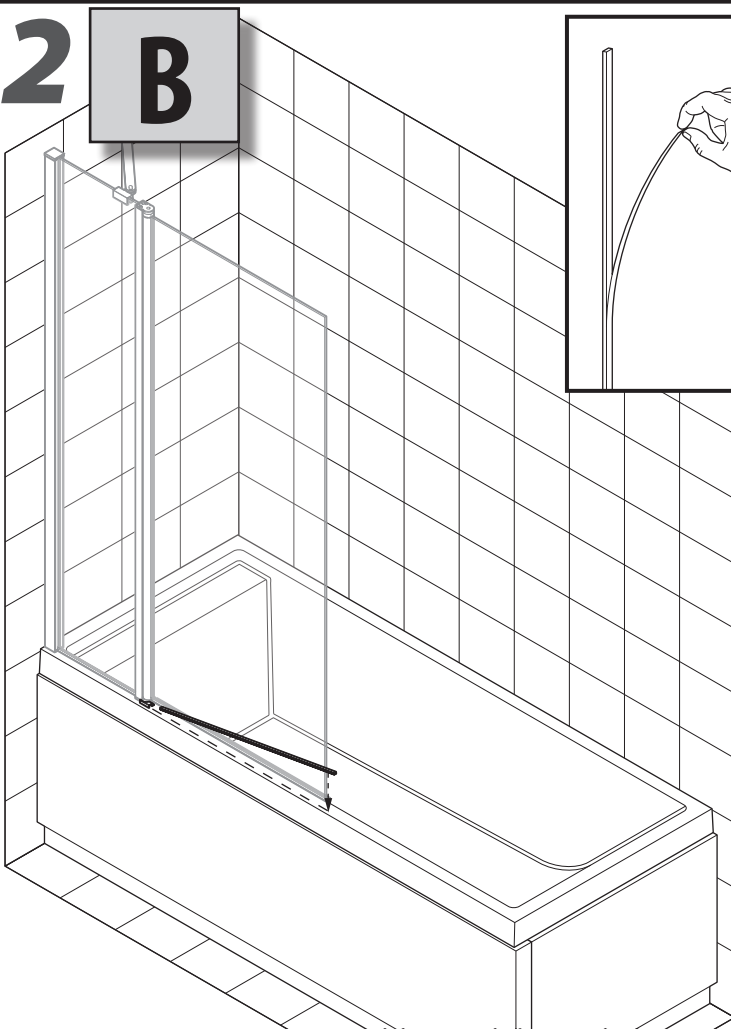


11 B



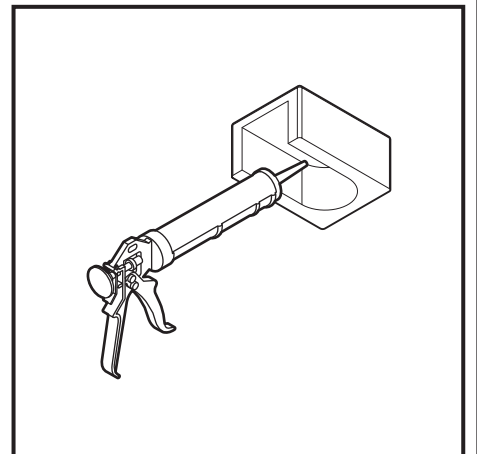
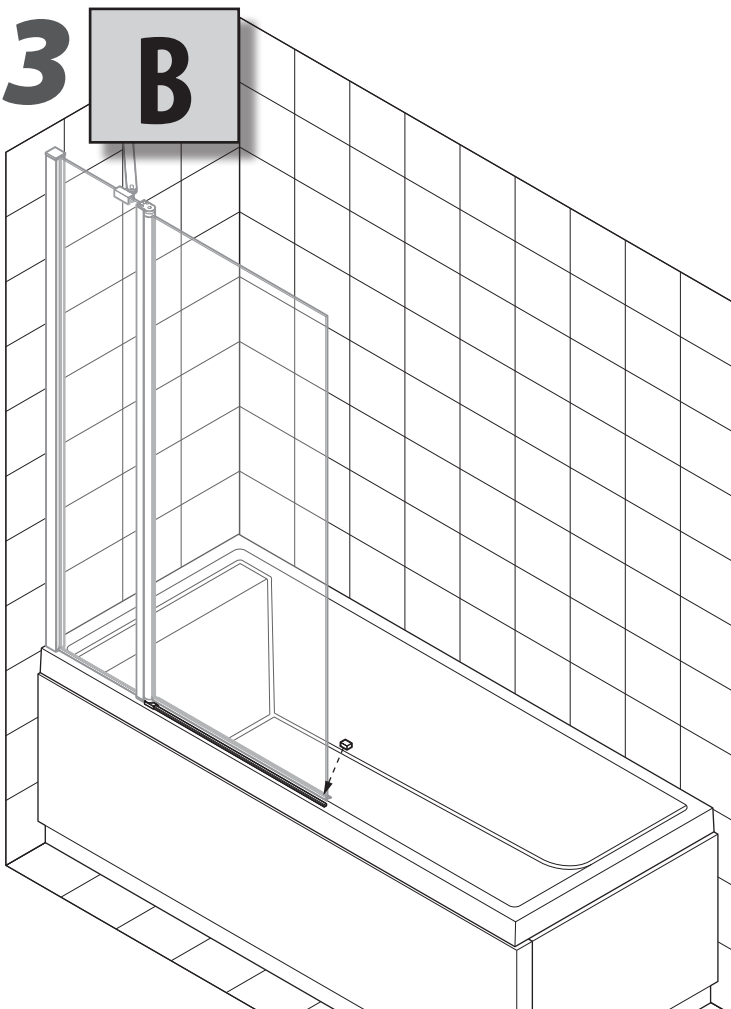
12

B

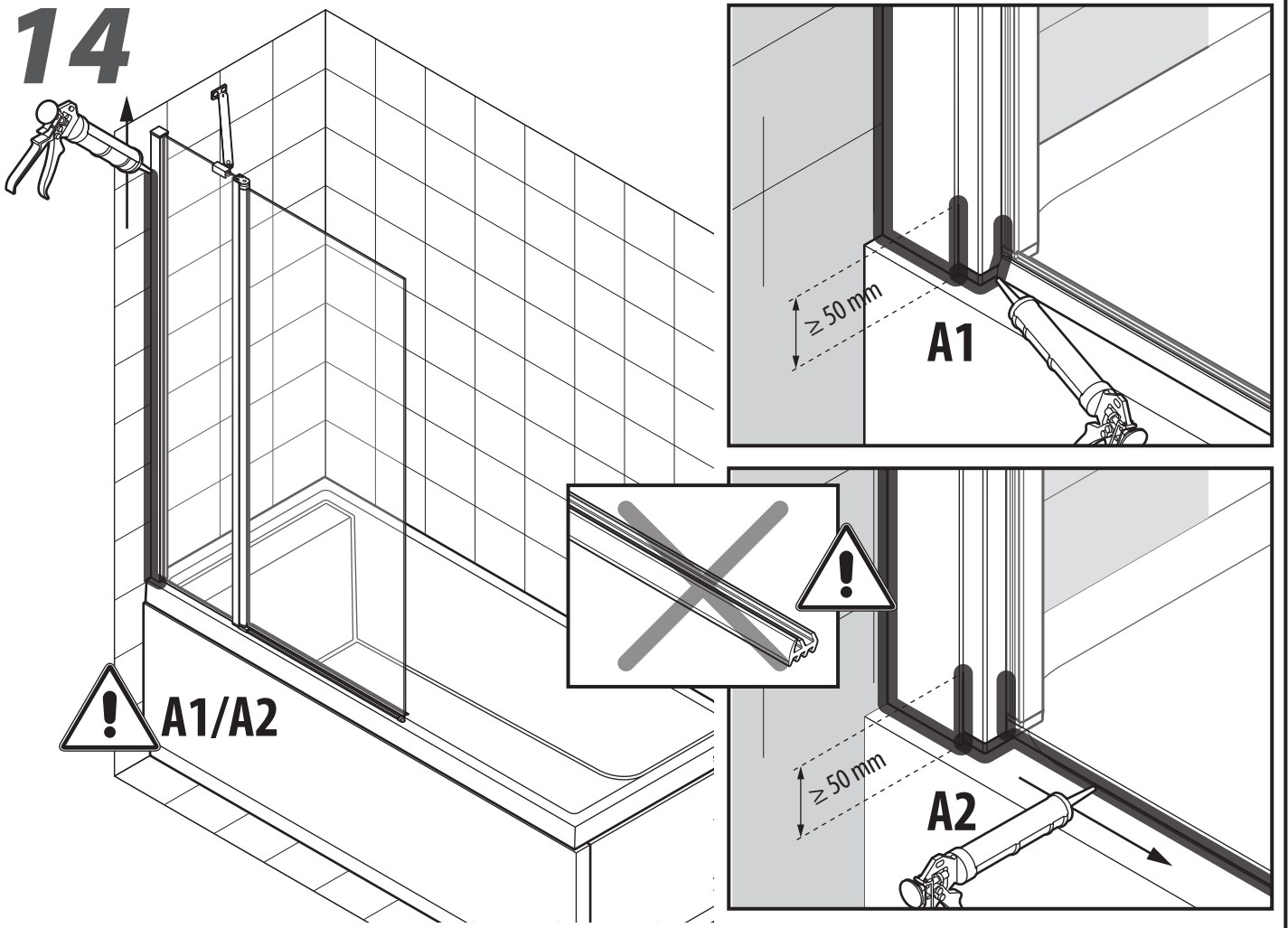


13

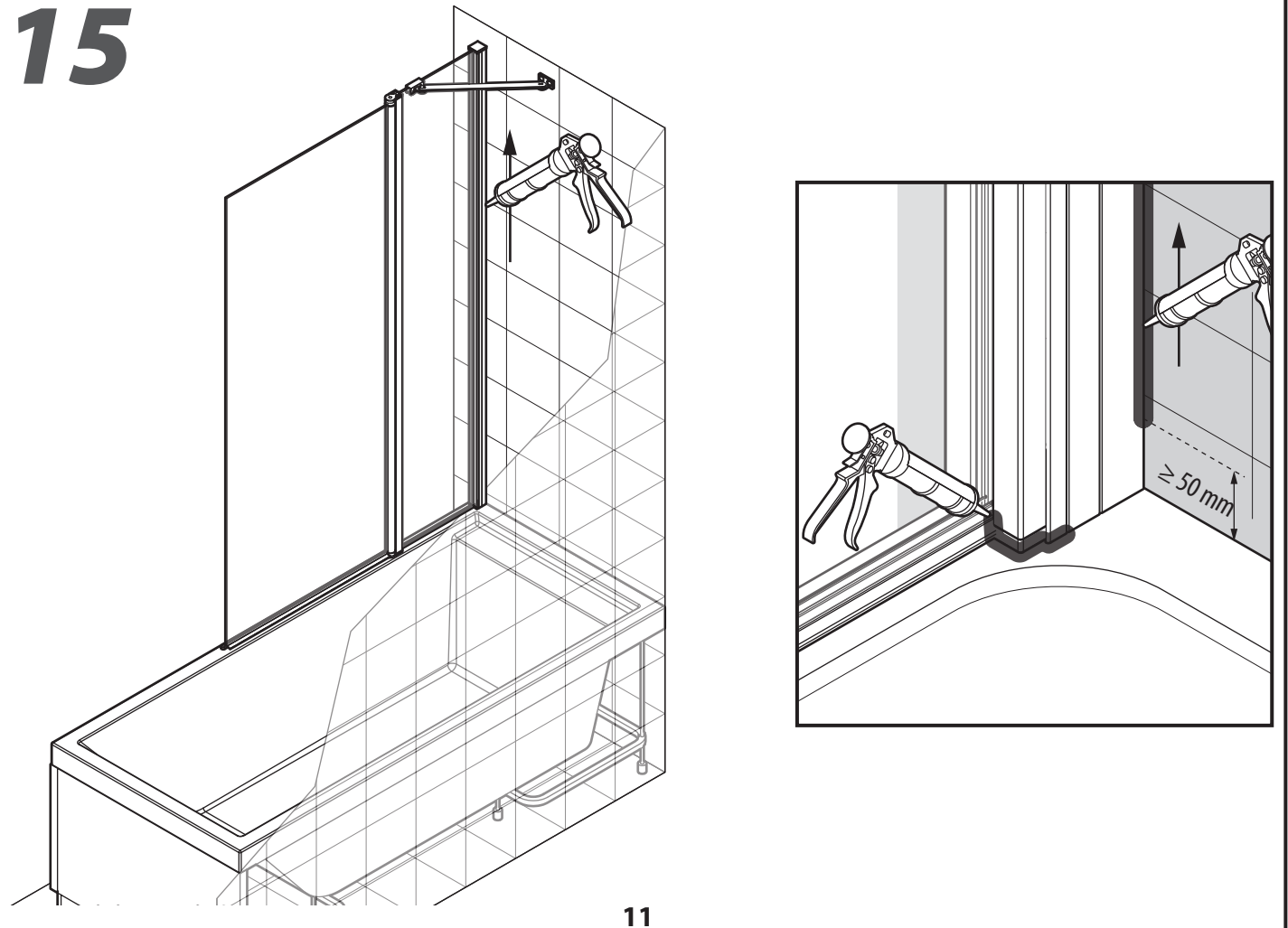
B



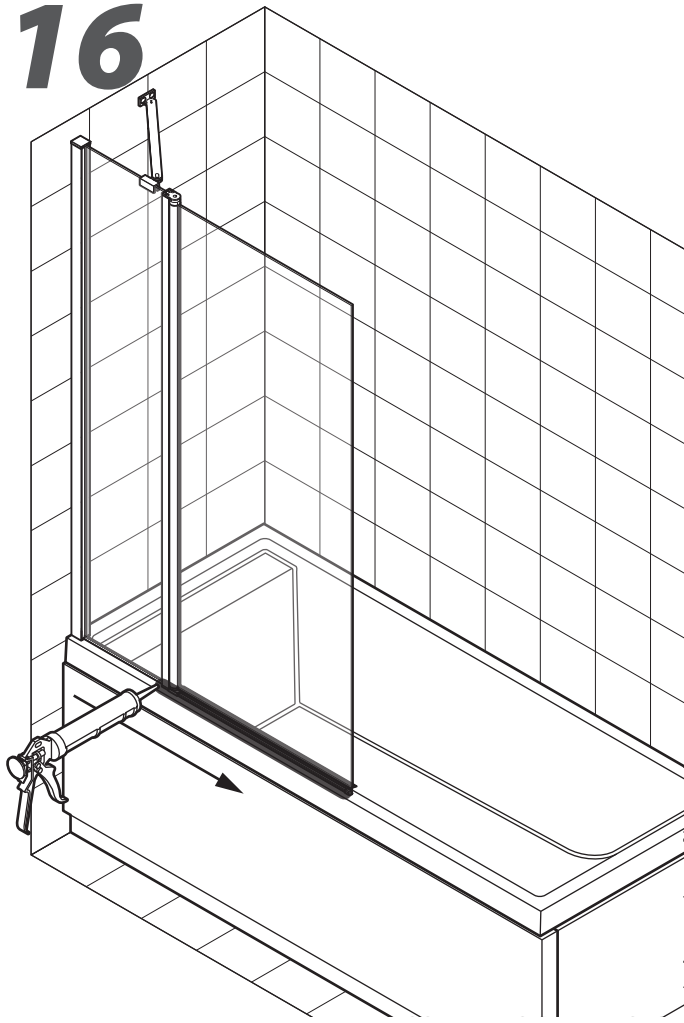
14



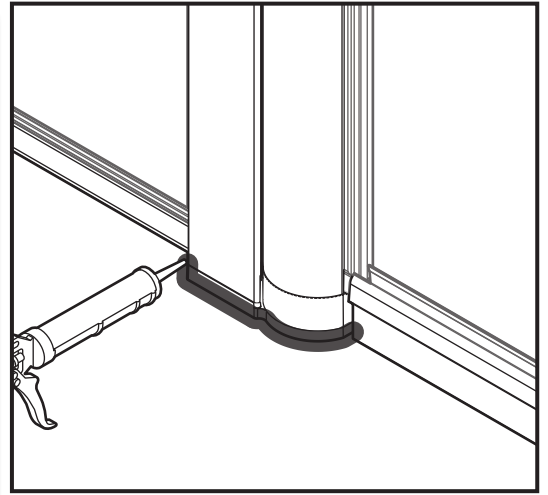
15



16



A



B

