

TECHNICAL DATA SHEET

Zest 450 Soft Close Toilet Seat - ZSCTS45

ROPER RHODES®

NO.	Description	Product Code	Fixings included	Gross Weight
1	Soft Close Toilet Seat	ZSCTS45	YES	2KG

PLEASE NOTE: The Zest 450 Toilet Seat is only compatible with the Zest 450 BTW WC (ZBWPA45)



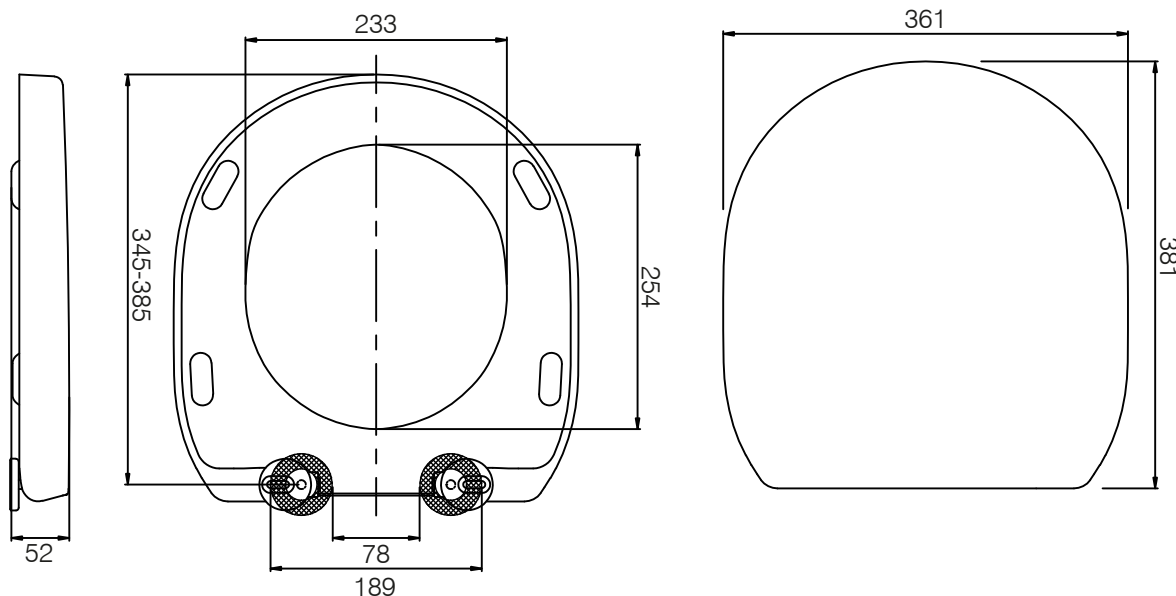
Spares Codes:

Zest Hinge Fixing Kit - SP13288

Zest Buffer Pack - SP13833

DIMENSIONS

DIAGRAMS NOT TO SCALE | ALL DIMENSIONS IN MM TOLERANCE OF ± 5MM
ALL PRODUCTS CONFORM TO BRITISH STANDARDS



*Dimensions are subject to change, customers are advised to measure actual product before commencing installation.

FAQs

Q - What's the maximum test load of the seat?

A - 150kg

Q - What are the fixings made from?

A - Stainless Steel Cover Plates/Screws/Butterfly Clip, Nylon Anchor Plates, Rubber Washers.

Key Dimensions Descriptions	Key Dimensions (mm)
Seat/Lid Front to Back	381mm
Seat/Lid Left to Right	361mm
Ring Hole Front to Back	254mm
Ring Hole Left to Right	233mm
Seat Overall Thickness	52mm