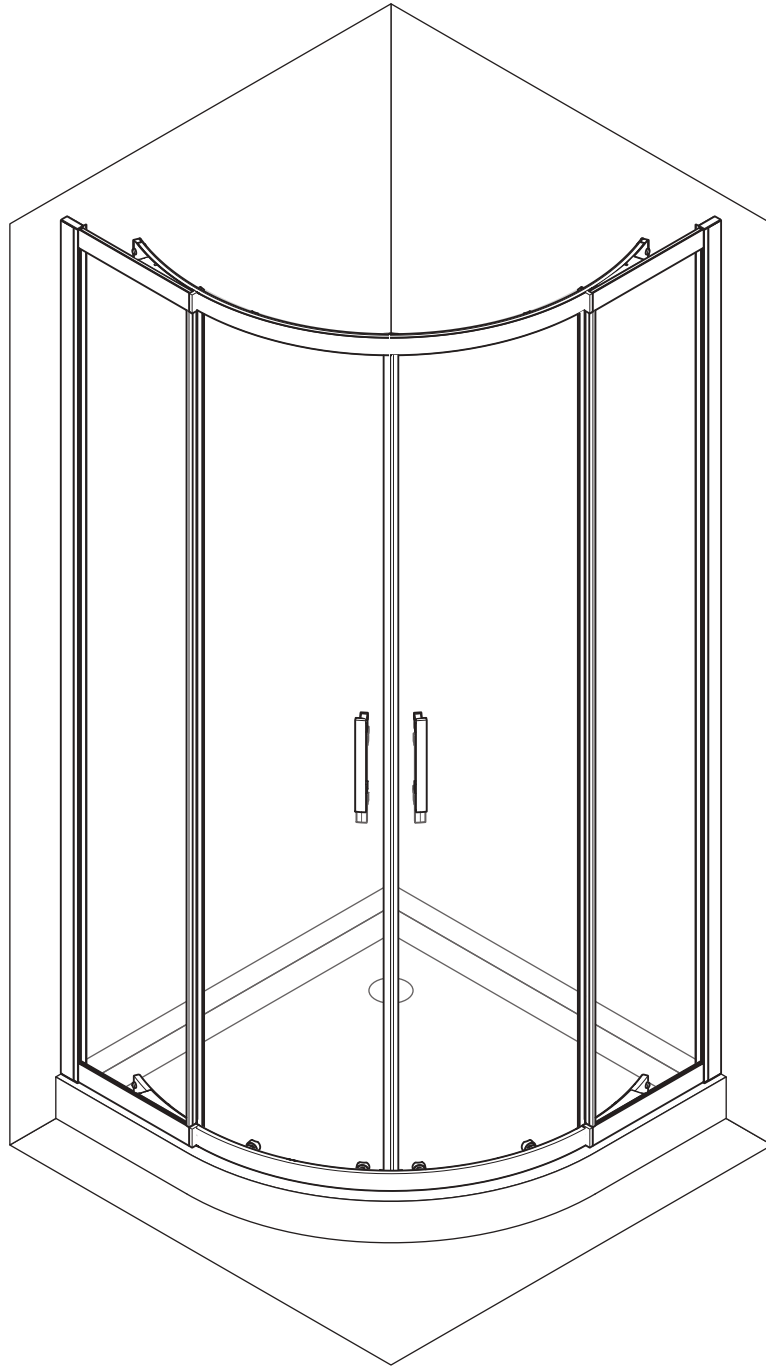
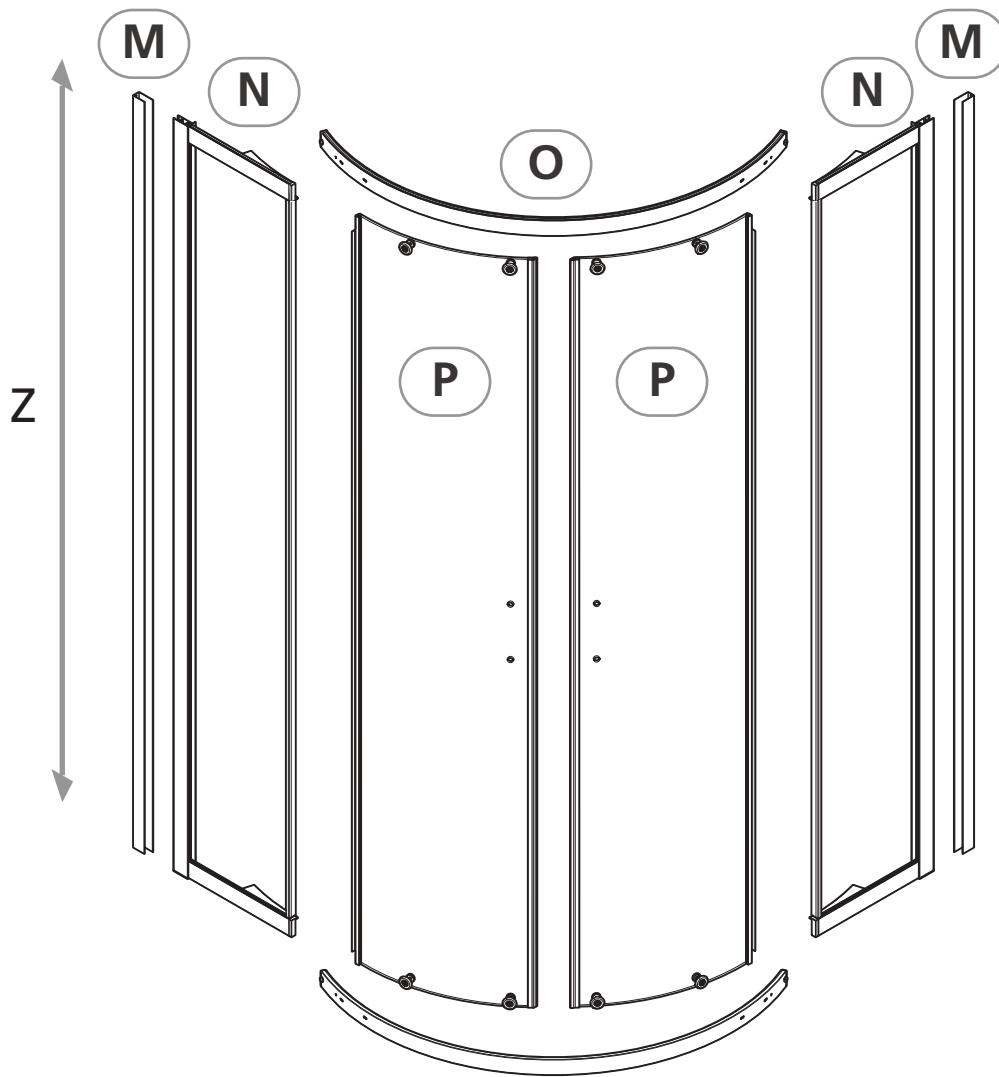


ZEPHYROS

R

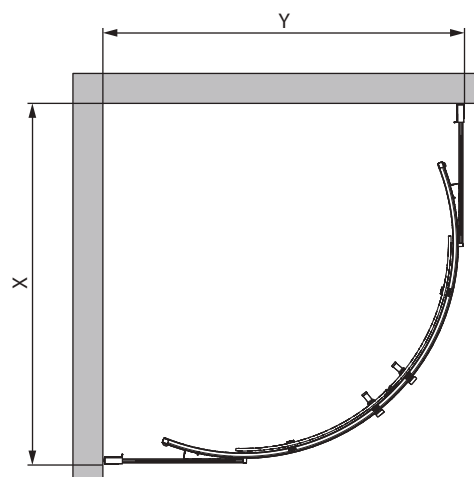




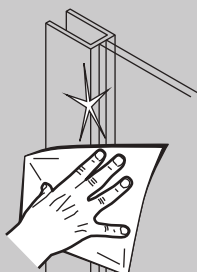
R80	X=77,5-80,5 cm	Y=77,5-80,5 cm	Z=195 cm
R90	X=87,5-90,5 cm	Y=87,5-90,5 cm	Z=195 cm
R100	X=97,5-100,5 cm	Y=97,5-100,5 cm	Z=195 cm
R120	X=117,5-120,5 cm	Y=117,5-120,5 cm	Z=195 cm

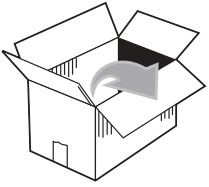


R80x100	X=77,5-80,5 cm	Y=97,5-100,5 cm	Z=195 cm
R80x120	X=77,5-80,5 cm	Y=117,5-120,5 cm	Z=195 cm
R90x120	X=87,5-90,5 cm	Y=117,5-120,5 cm	Z=195 cm

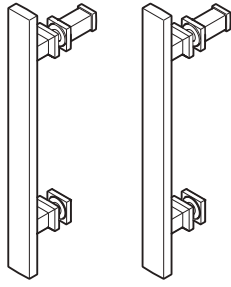


**CLEANIT
OR
WATER ONLY**

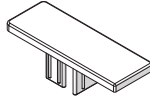




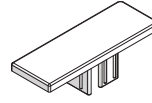
B1



B2

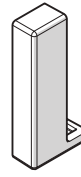


B3



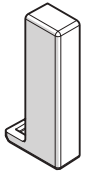
B4

x2

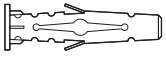


B5

x2



C1 x4



C2

x4



4X35 mm

C3

x8



M4x10 mm

C4

x6



3,5x9,5 mm

C5

x4



3,5x10 mm

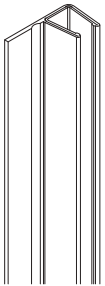
C6

x6



D2

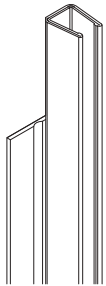
x2



h 1865 mm

D3

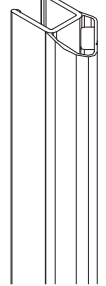
x2



h 1931 mm

D3

x2



h 1931 mm

D4

x4



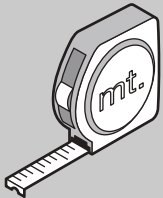
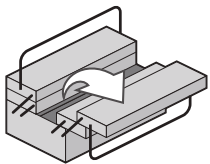
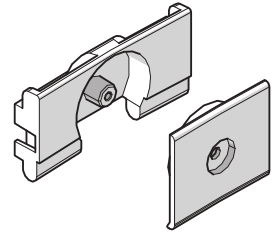
D5

x8



D6

x2



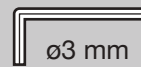
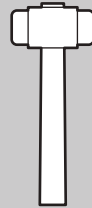
ø6 mm



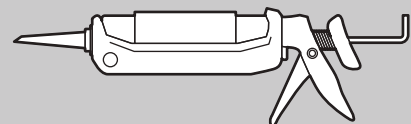
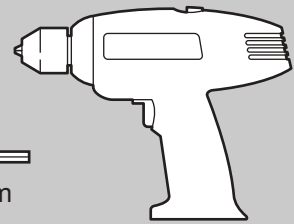
ø3 mm



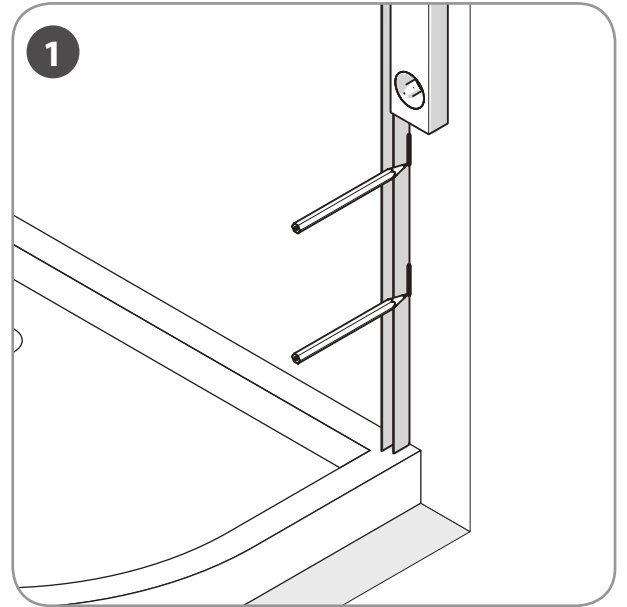
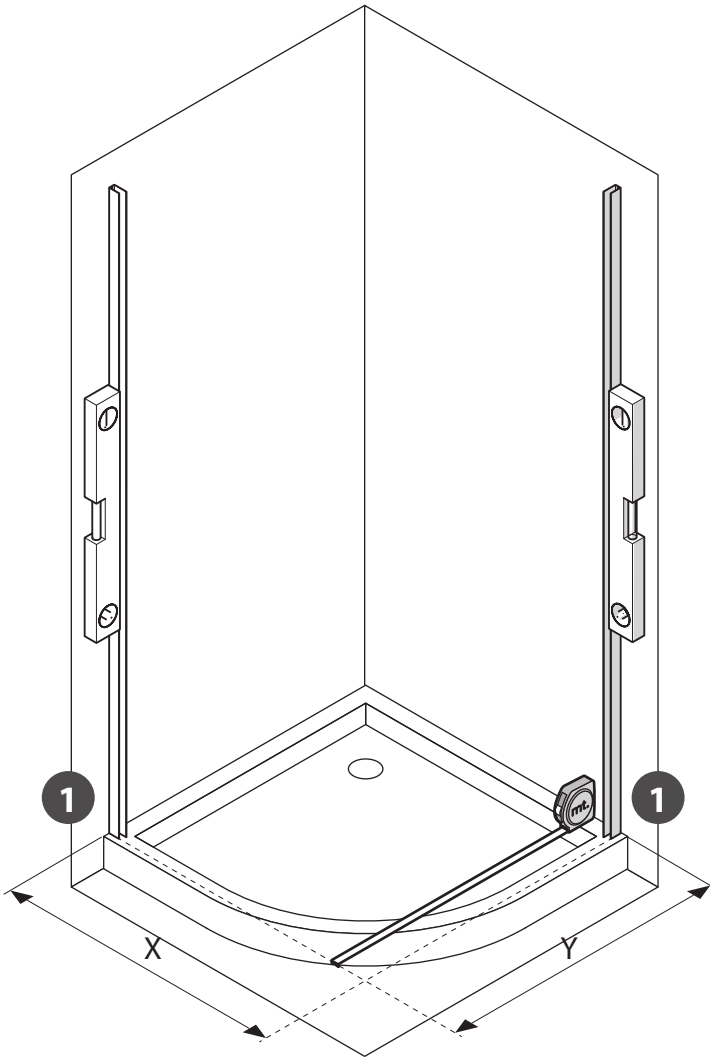
ø3 mm



ø3 mm



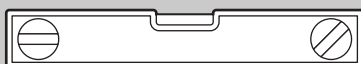
1



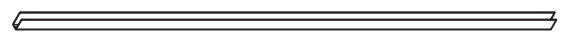
R80	X=77,5-80,5 cm	Y=77,5-80,5 cm
R90	X=87,5-90,5 cm	Y=87,5-90,5 cm
R100	X=97,5-100,5 cm	Y=97,5-100,5 cm
R120	X=117,5-120,5 cm	Y=117,5-120,5 cm



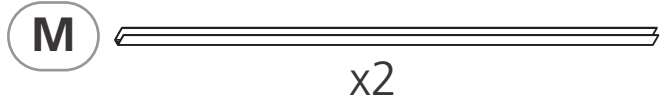
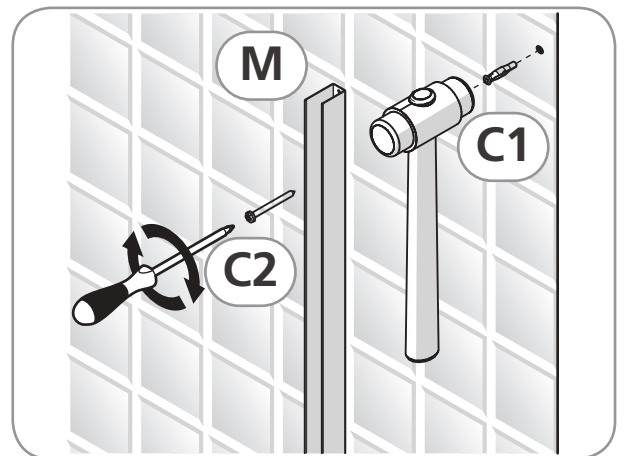
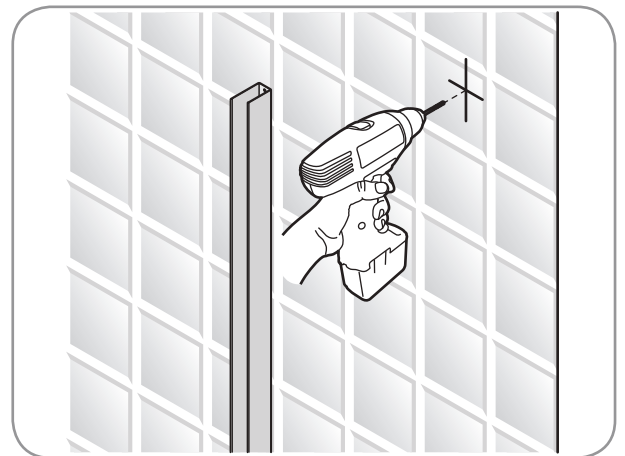
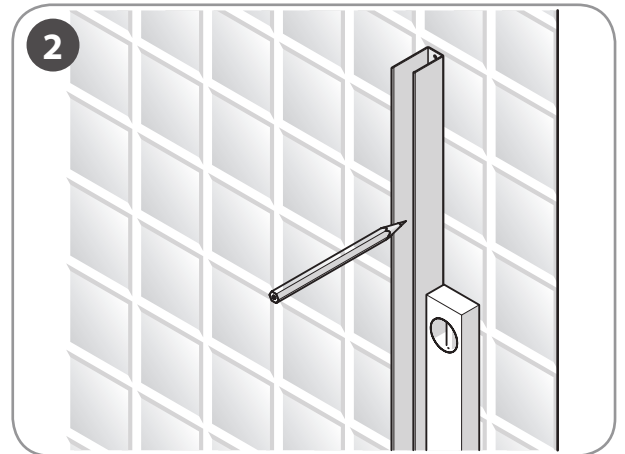
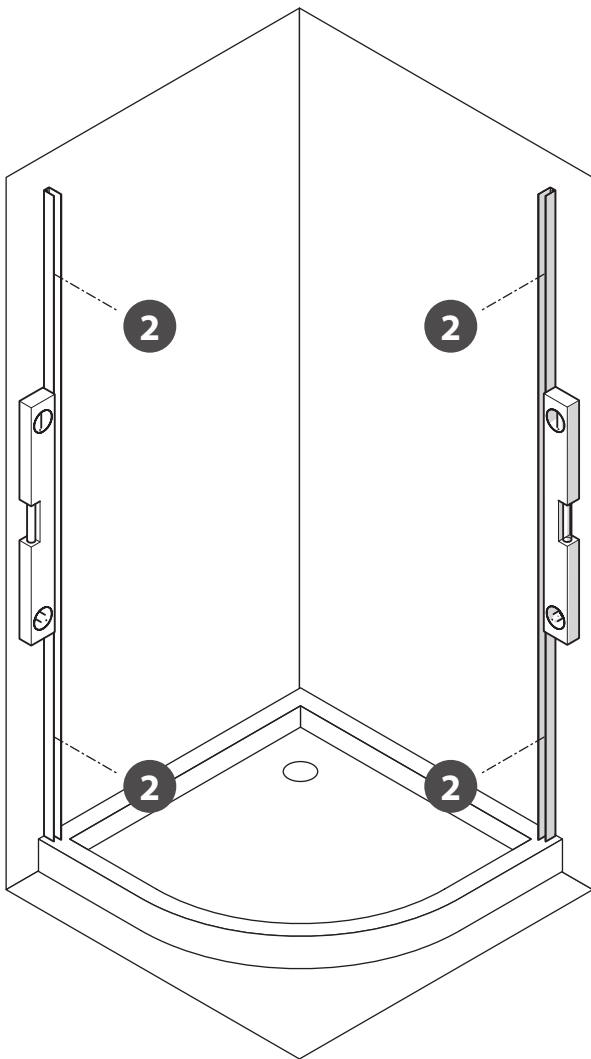
R80x100	X=77,5-80,5 cm	Y=97,5-100,5 cm
R80x120	X=77,5-80,5 cm	Y=117,5-120,5 cm
R90x120	X=87,5-90,5 cm	Y=117,5-120,5 cm



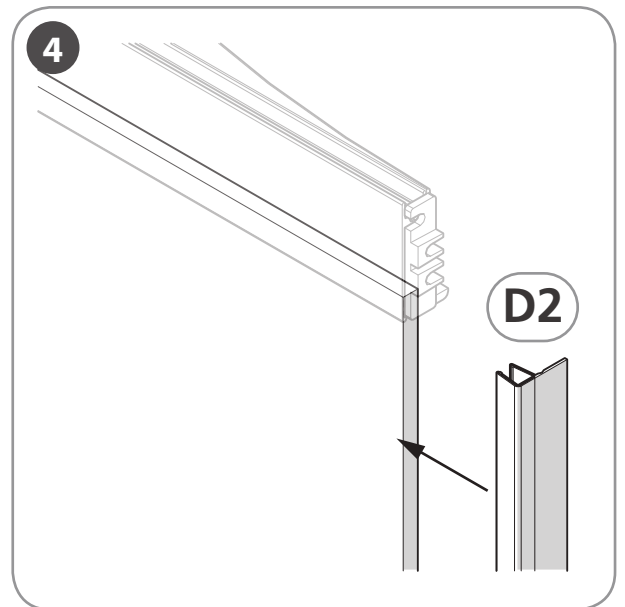
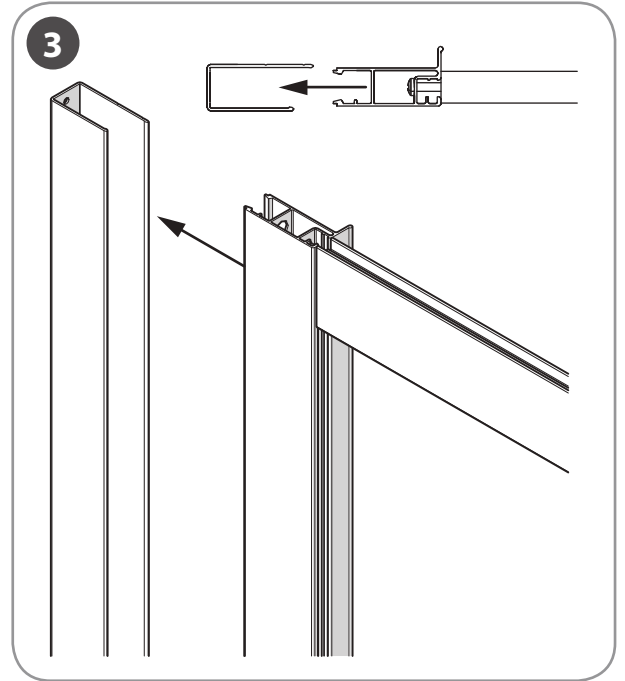
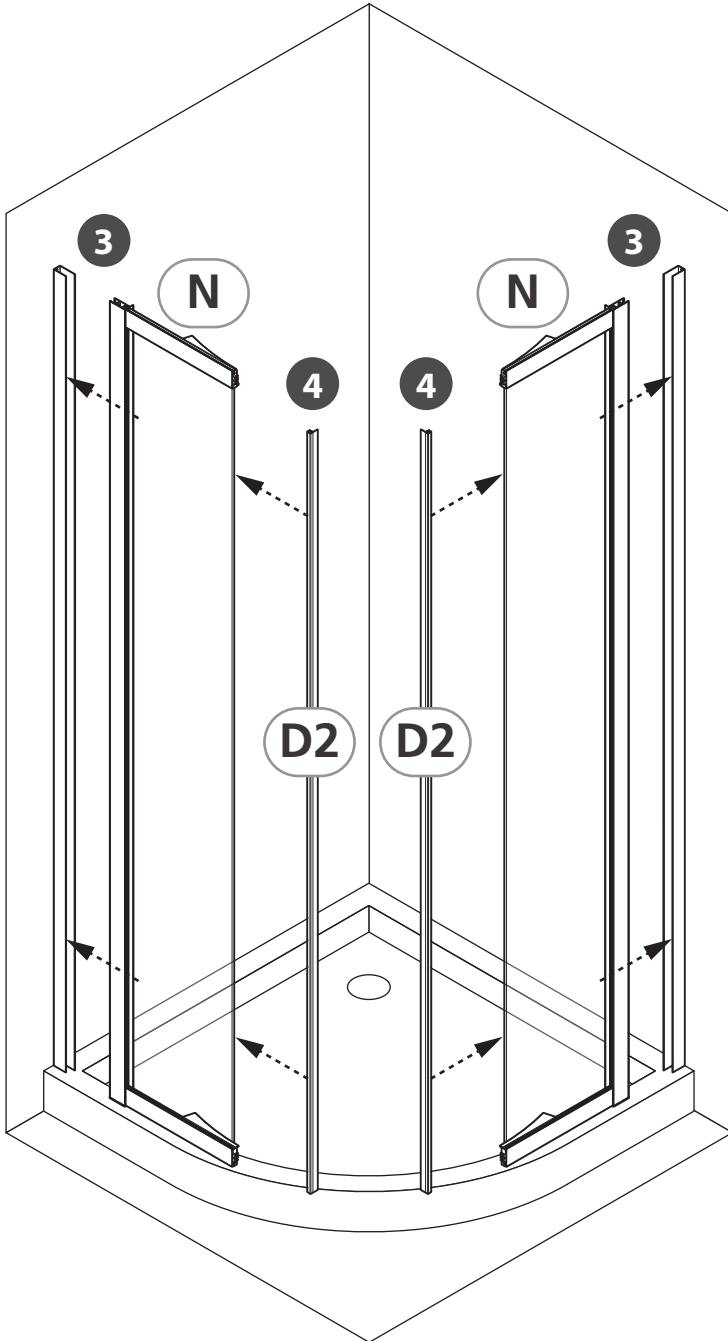
M



x2



3

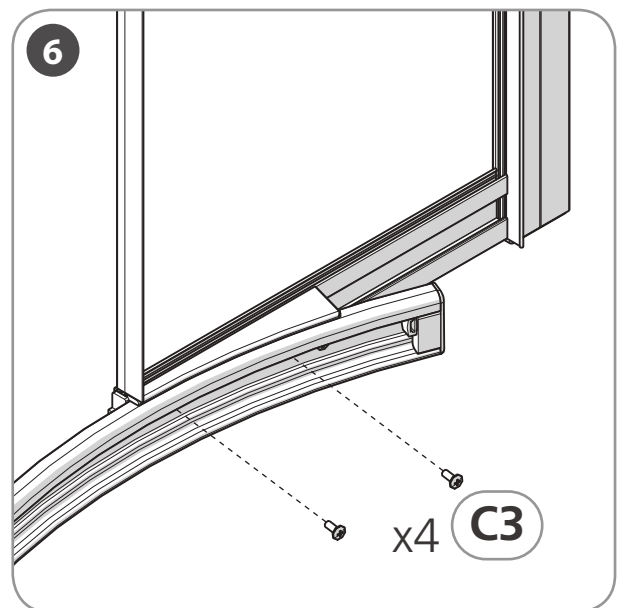
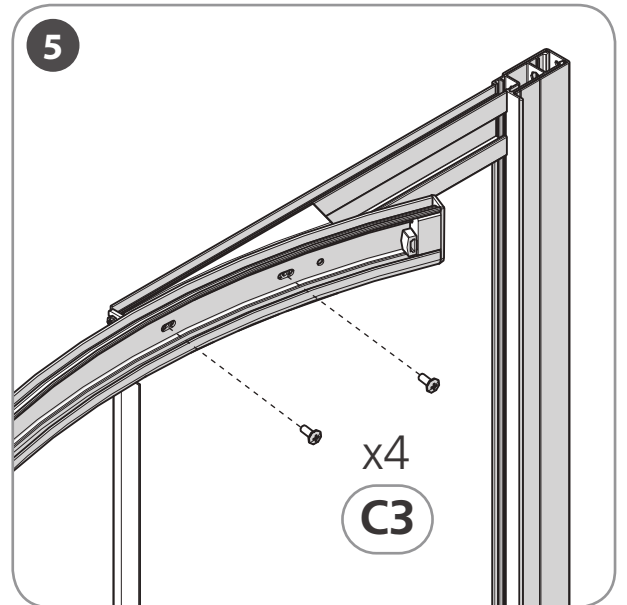
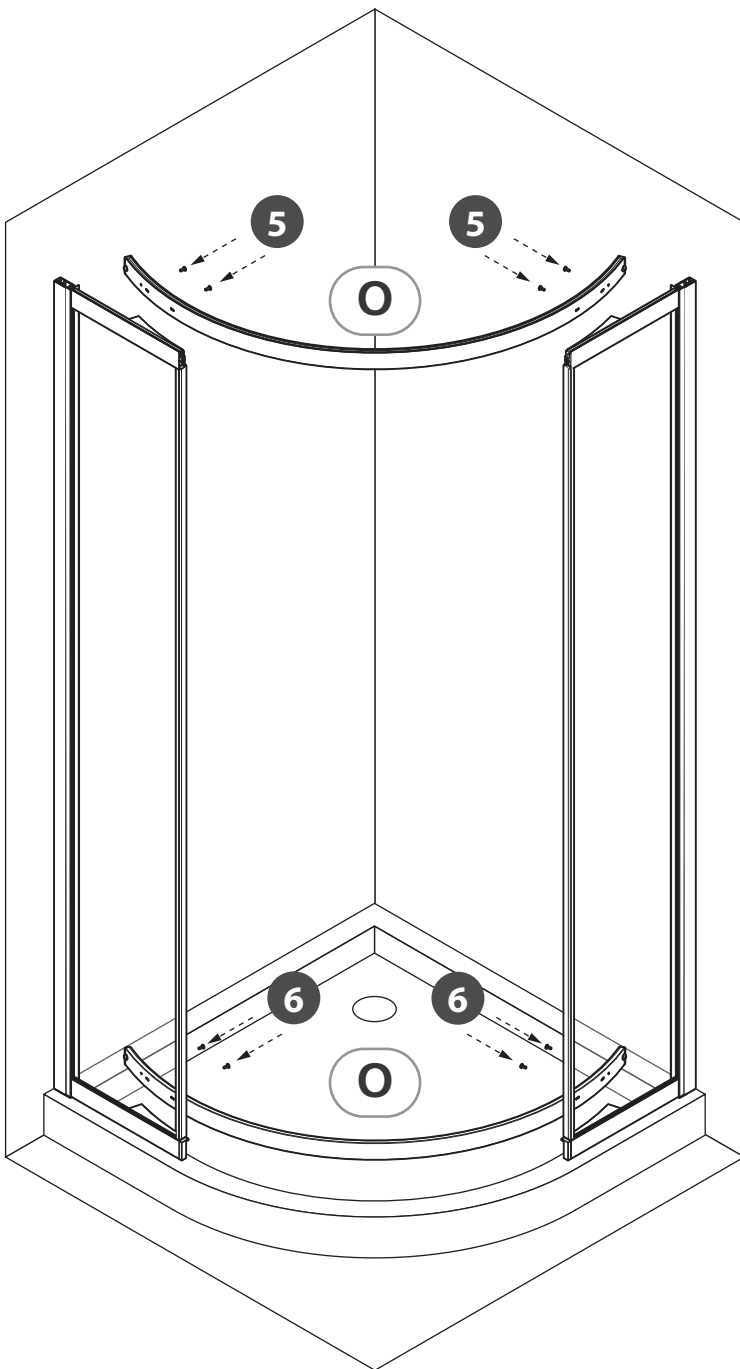


D2

x2



h 1865 mm

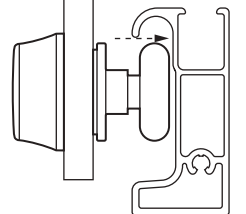
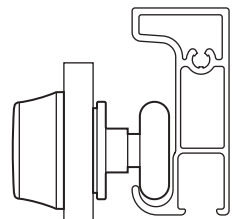
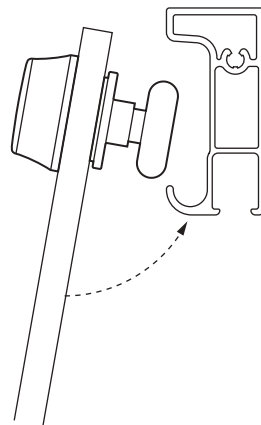
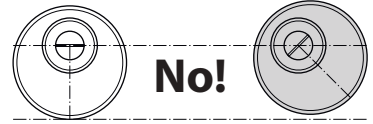
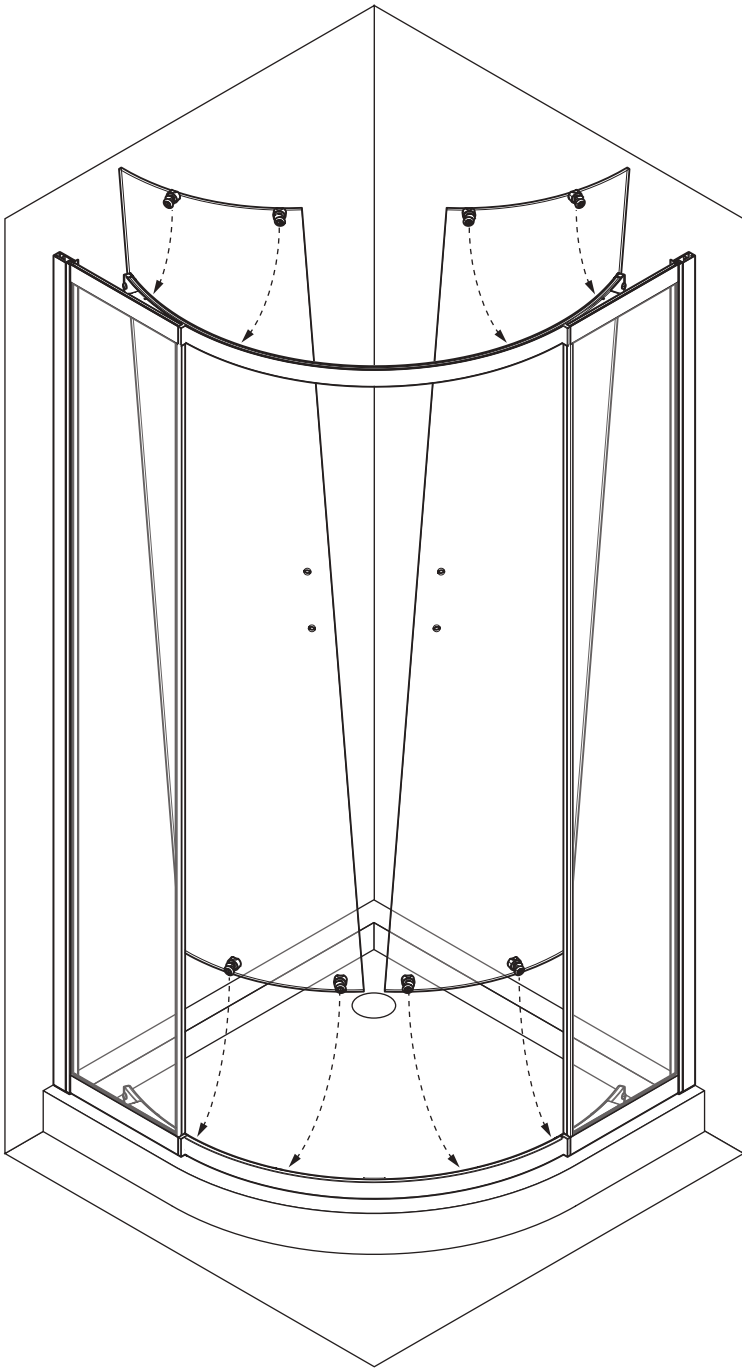


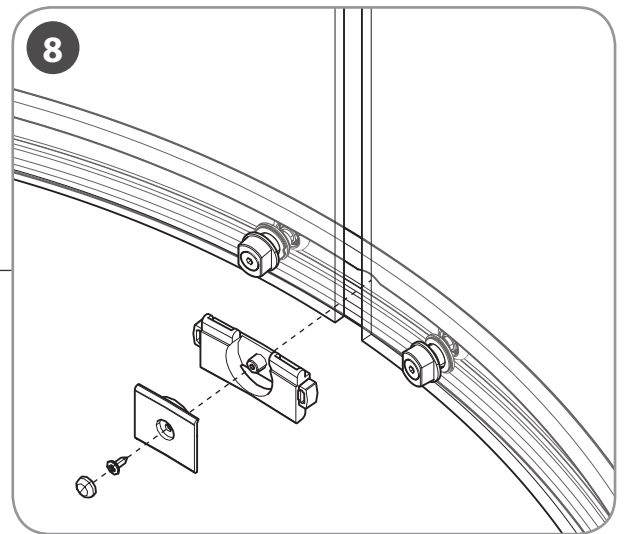
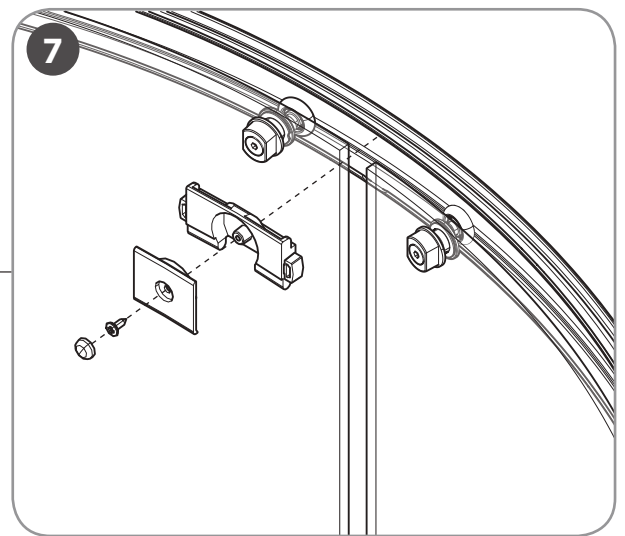
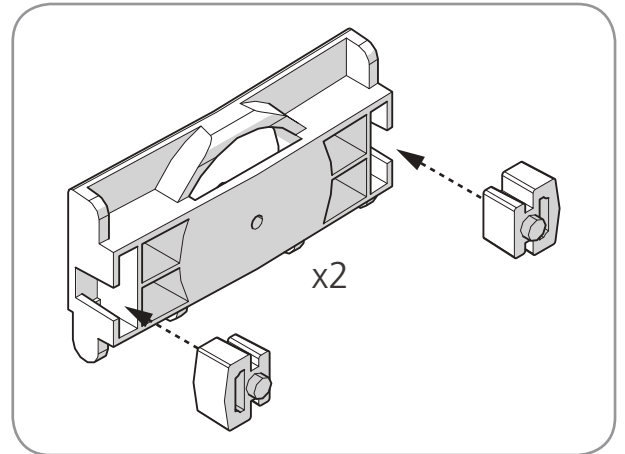
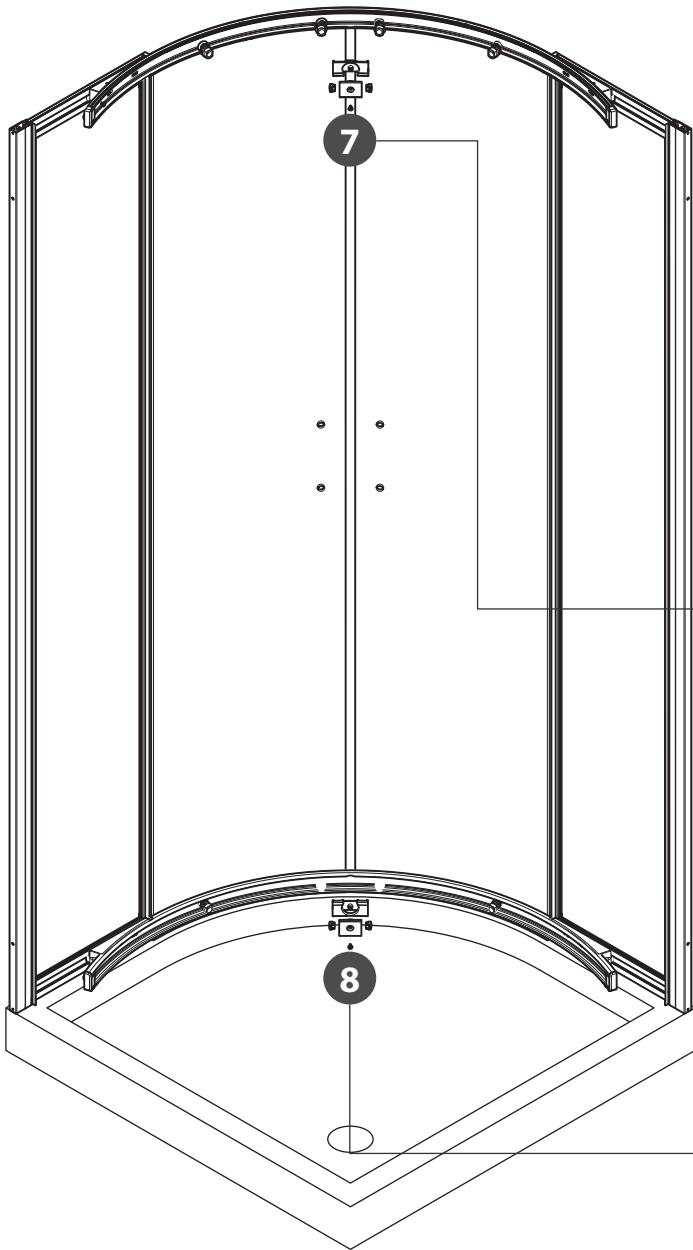
C3
x8



M4x10 mm

5



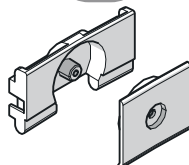


D6 x2

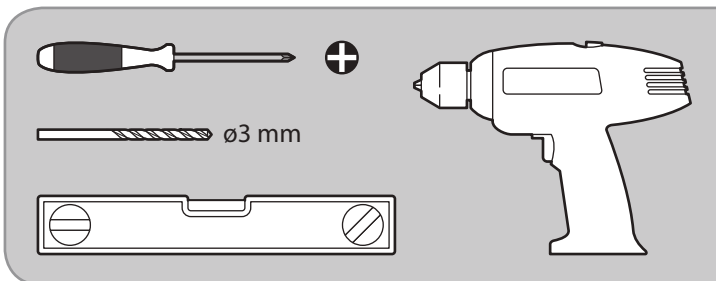
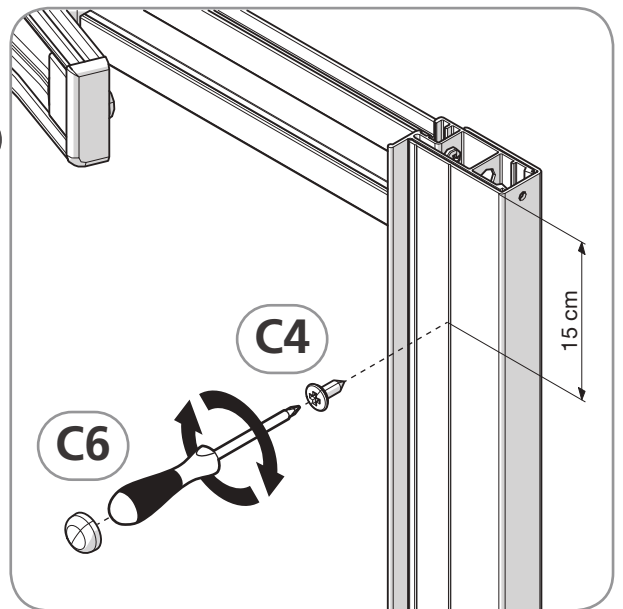
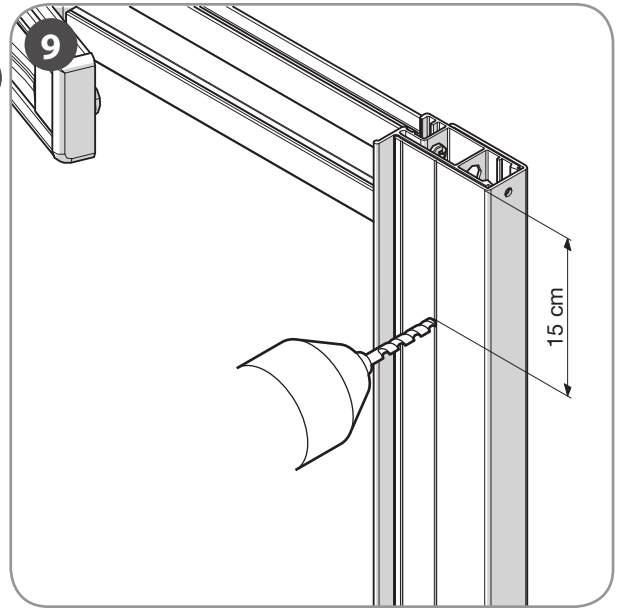
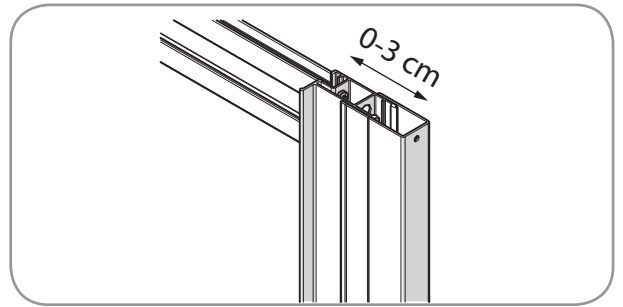
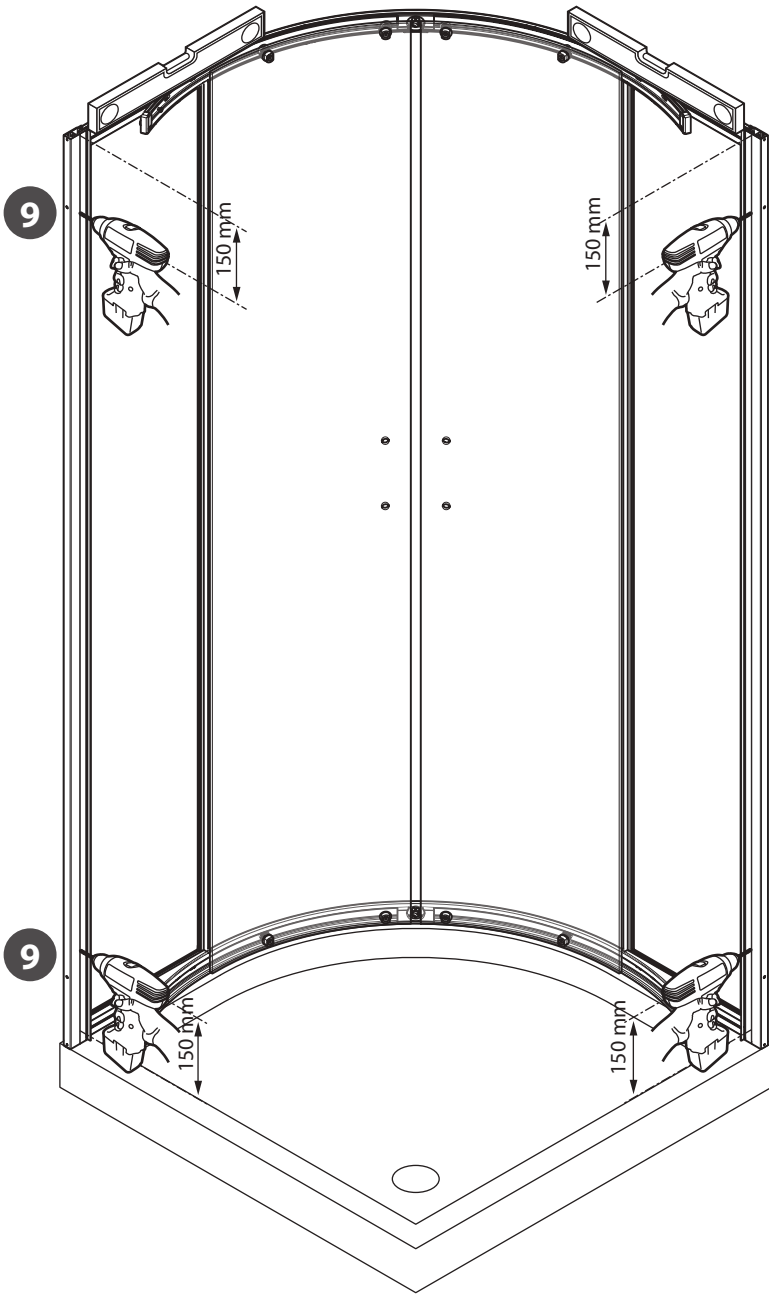
D5 x4


C4 x2


C6 x2

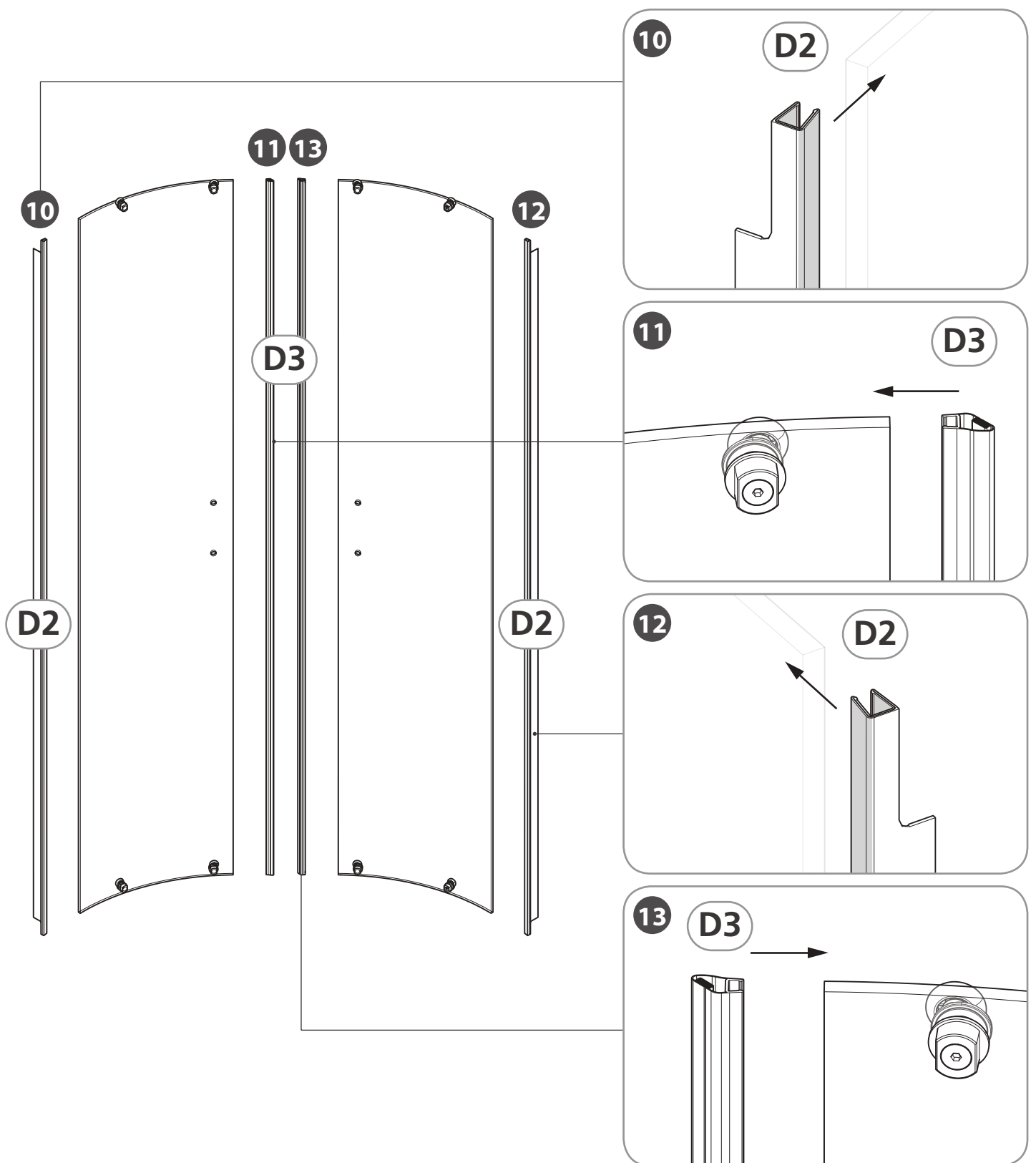


3,5X9,5 mm



C4 
3,5x9,5 mm
x4

C6 
x4



h 1931 mm

D2



x2

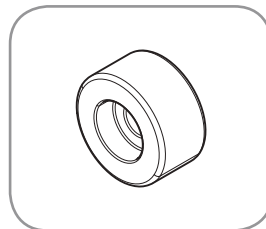
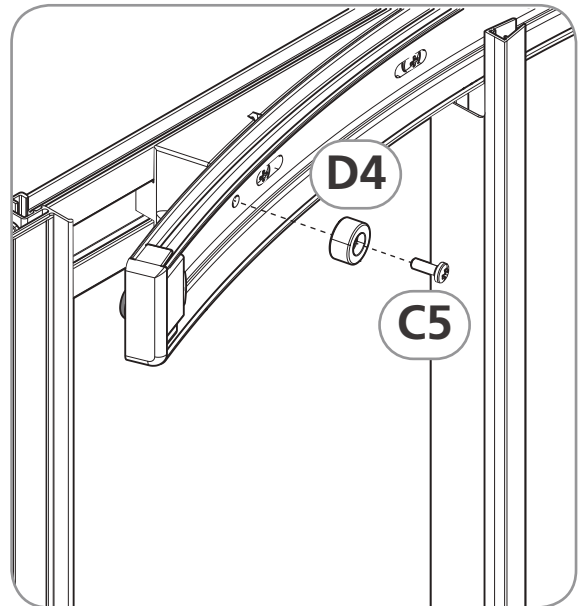
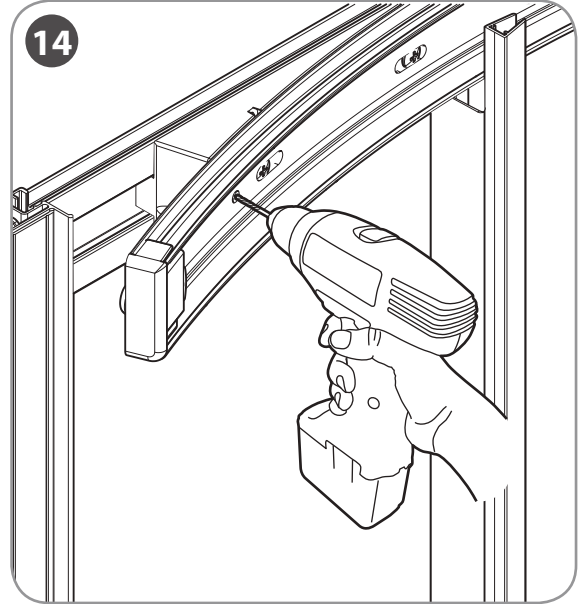
h 1931 mm

D3



x2

R80



 ø3 mm



C5 x4


3,5x10 mm

D4 x4



