

# PRODUCT DATA SHEET

*Burlington*<sup>®</sup>



## PRODUCT CODE

B2 UP 3TH

## RANGE

Contemporary

## DESCRIPTION

Contemporary Basin 61cm Upstand  
3TH

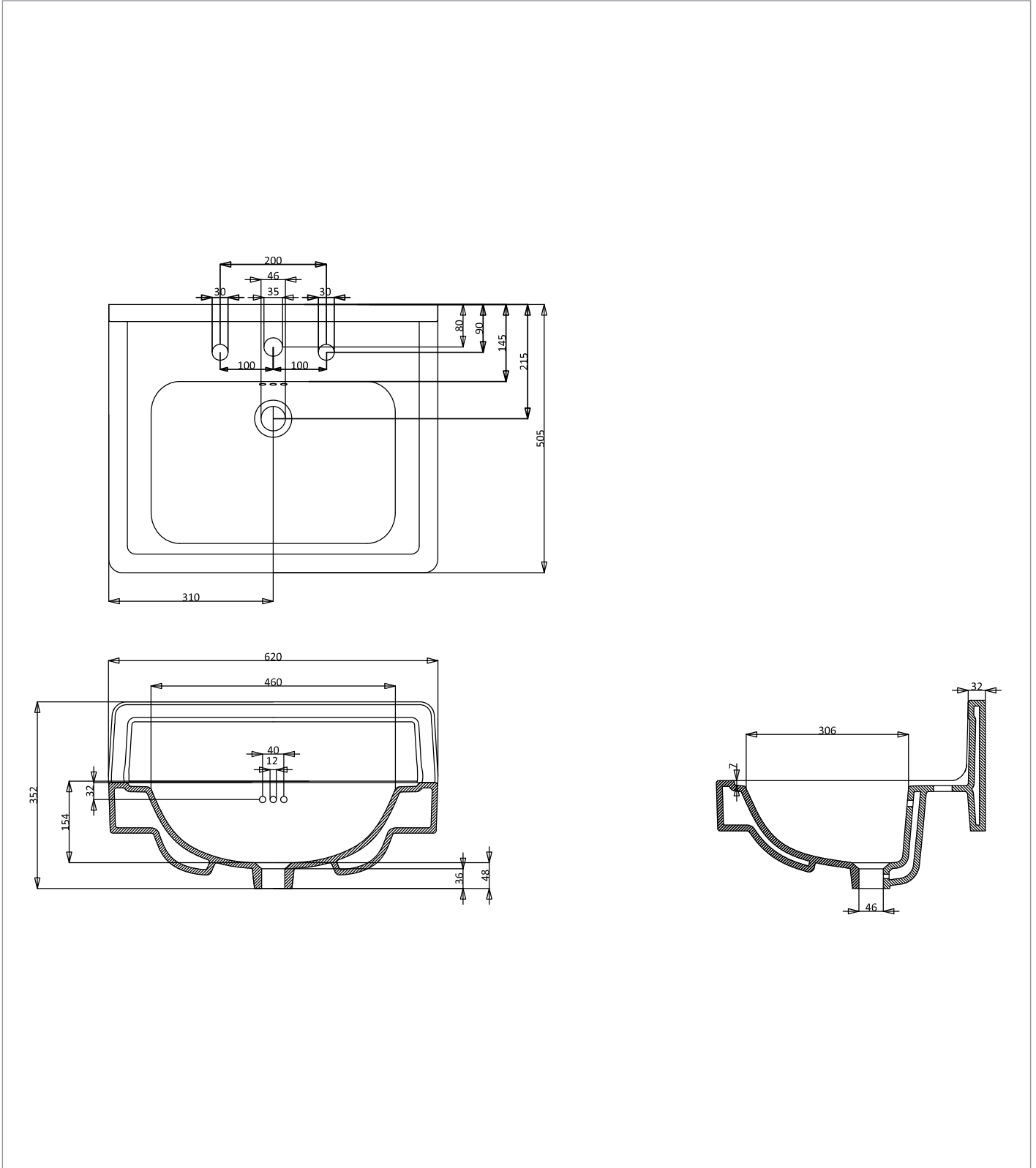
CATEGORY	Sanitaryware
WARRANTY DETAILS	Lifetime*
COLOUR	Gloss White
FINISH APPLICATION	Glazed
PRIMARY MATERIAL	Fine Fire Clay
INSTALL TYPE	Wall Mounted
PRODUCT WIDTH MM	620
PRODUCT HEIGHT MM	352
PRODUCT DEPTH MM	505
PRODUCT NET WEIGHT KG	23
STANDARDS	EN 31:2011EN 14688:2015

TAP HOLES	3TH
FIXINGS INCLUDED	No
OVERFLOW	Yes
BASIN WASTE SIZE	45 mm

## TECHNICAL DIMENSIONS

Dimensions in mm unless otherwise specified.

Tolerances (per material type) apply.



**SPARES LIST**

Only the parts labelled are available as spares.

**NO SPARES AVAILABLE**