

PRODUCT DATA SHEET

Burlington[®]



PRODUCT CODE

BUCEILBRACEC

RANGE

Showering

DESCRIPTION

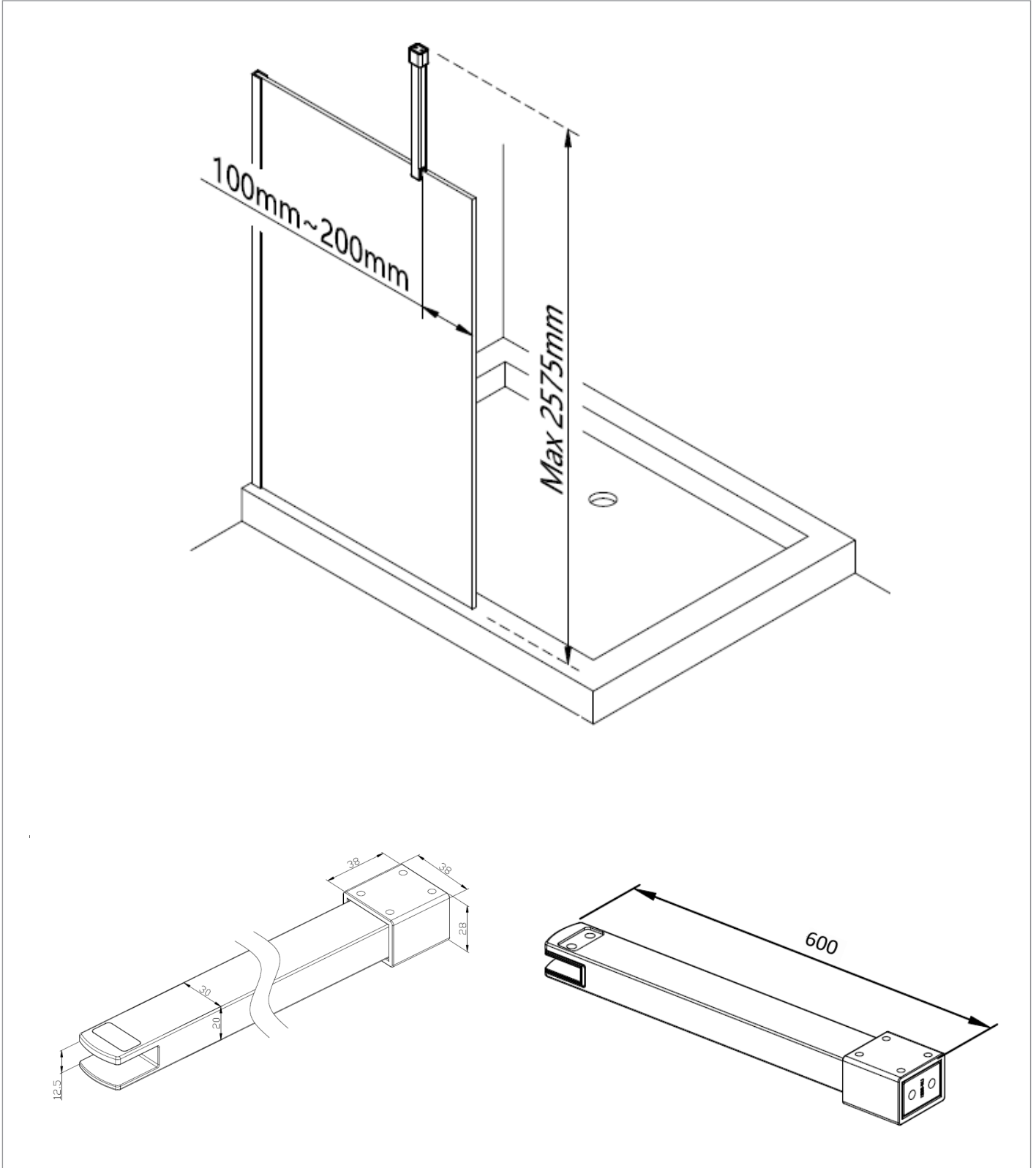
Burlington Ceiling Brace Polished
Stainless Steel

CATEGORY	Showering
WARRANTY DETAILS	2 Years
COLOUR	Polished Stainless Steel
FINISH APPLICATION	PVD
PRIMARY MATERIAL	304 Stainless Steel
INSTALL TYPE	Ceiling Mounted
PRODUCT WIDTH MM	38
PRODUCT LENGTH MM	600
PRODUCT DEPTH MM	28
PRODUCT NET WEIGHT KG	0.7
STANDARDS	EN14428

TECHNICAL DIMENSIONS

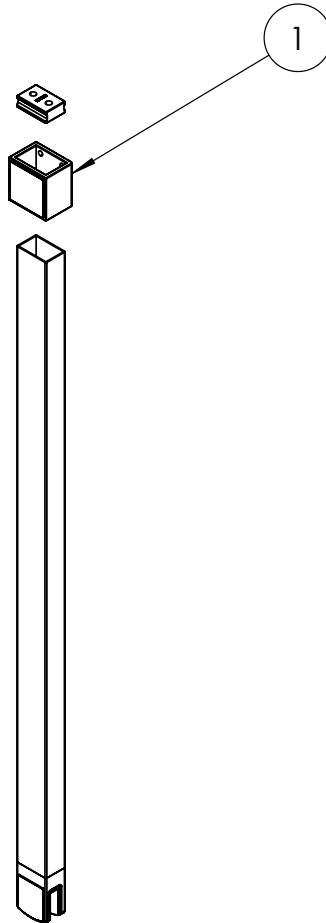
Dimensions in mm unless otherwise specified.

Tolerances (per material type) apply.



SPARES LIST

Only the parts labelled are available as spares.



NUMBER	PART CODE	DESCRIPTION
1	SP1754	Ceiling Bracket, Screw Cover, Gasket Brushed Nickel
	SP1755	Ceiling Bracket, Screw Cover, Gasket Polished Stainless Steel
	SP1756	Ceiling Bracket, Screw Cover, Gasket Gold