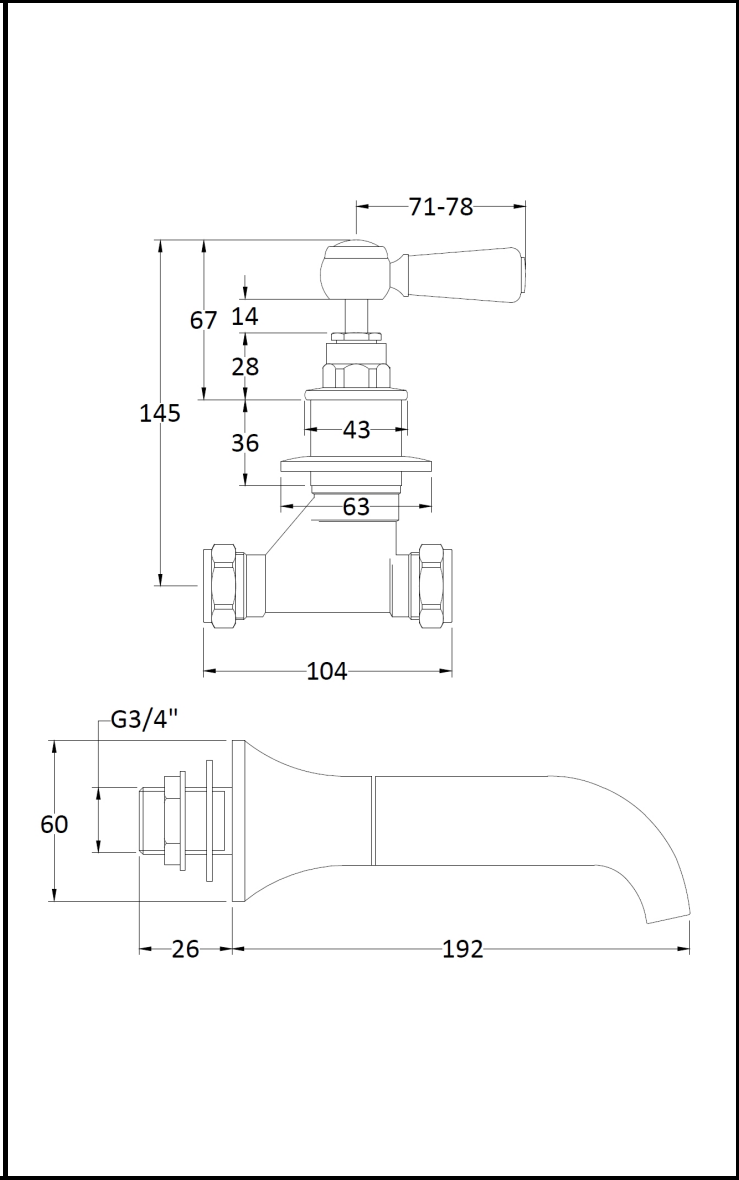


CUSTOMER DATA SHEET - BRASSWARE

SALES CODE: BC309HL

DESCRIPTION: Topaz Lever 3Th Bath Filler



PRODUCT DIMENSIONS				
Height (mm)	Width (mm)	Depth (mm)	Length (mm)	Nett Wgt Kg
104		182		2.3

PACKAGING DIMENSIONS			
Height (mm)	Width (mm)	Depth (mm)	Gross Wgt Kg
85	185	270	2.5

PACKAGING DATA			
Box Colour	White Cardboard Box		
Box Qty	1	Label Colour	White Label
Label Size	100 x 50	Label Qty	1

OUTER BOX DIMENSIONS (If Applicable)				
Height (mm)	Width (mm)	Depth (mm)	Length (mm)	Gross Wgt Kg
640	450	200		
Barcode	5055275871478			

PRODUCT DETAILS			
Country of Origin	United Kingdom		
Fitting Instruction	Yes		
Product Material	Brass		
Control Type	Manual		
Waste Included	Waste Not Included		
WRAS Approval	No	Approval No.	N/A
Operating Pressure (bar)	0.1		
Valve/Cartridge Type	1/4 Turn Ceramic Disc		

Colour/Finish	Chrome									
Mount Type	Wall									
Waste Type	Not Applicable									
Flow Rates (Litres Per Min)	0.1 bar	9.6	0.5 bar	20	1 bar	28	2 bar	39.5	3 bar	46.8
Pipe Size	15 mm (1/2" Bsp)									
Pipe Centres	N/A									