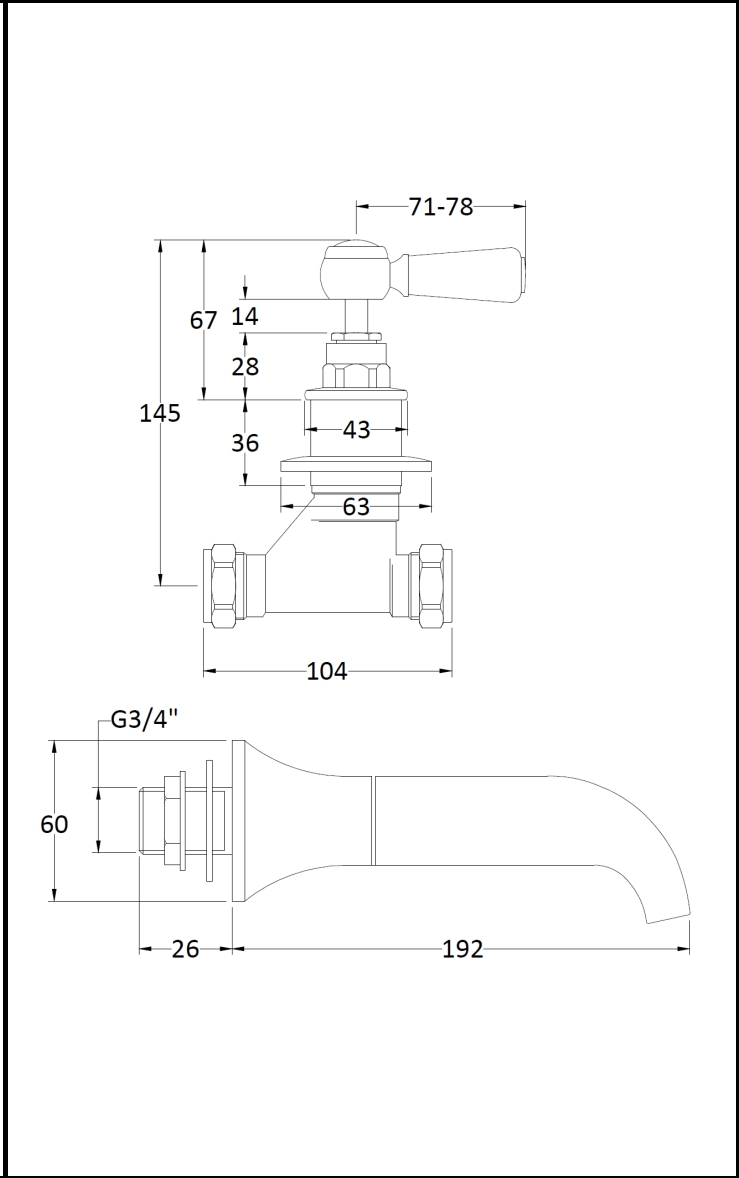


## CUSTOMER DATA SHEET - BRASSWARE

SALES CODE: BC409HL

DESCRIPTION: Topaz Black Hex Lever 3Th Bath Filler



### PRODUCT DIMENSIONS

Height (mm)	Width (mm)	Depth (mm)	Length (mm)	Nett Wgt Kg
104		182		2.3

### PACKAGING DIMENSIONS

Height (mm)	Width (mm)	Depth (mm)	Gross Wgt Kg
85	185	270	2.5

### PACKAGING DATA

Box Colour	White Cardboard Box		
Box Qty	1	Label Colour	White Label
Label Size	100 x 50	Label Qty	1

### OUTER BOX DIMENSIONS (If Applicable)

Height (mm)	Width (mm)	Depth (mm)	Length (mm)	Gross Wgt Kg
640	450	200		
Barcode	5055275871539			

### PRODUCT DETAILS

Country of Origin	United Kingdom		
Fitting Instruction	Yes		
Product Material	Brass		
Control Type	Manual		
Waste Included	Waste Not Included		
WRAS Approval	No	Approval No.	N/A
Operating Pressure (bar)	0.1		
Valve/Cartridge Type	1/4 Turn Ceramic Disc		

Colour/Finish	Chrome									
Mount Type	Deck									
Waste Type	Not Applicable									
Flow Rates (Litres Per Min)	0.1 bar	9.6	0.5 bar	20	1 bar	28	2 bar	39.5	3 bar	46.8
Pipe Size	15 mm (1/2" Bsp)									
Pipe Centres	N/A									