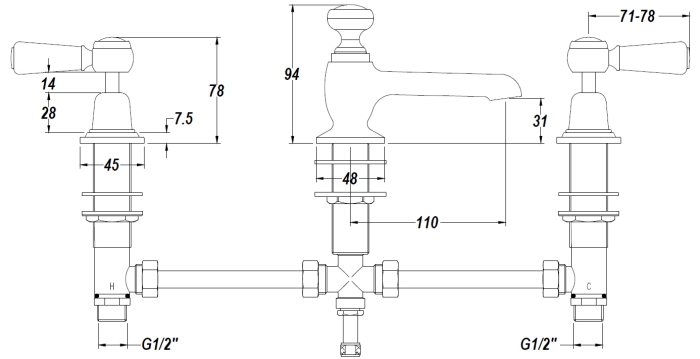


CUSTOMER DATA SHEET - BRASSWARE

SALES CODE: BC307DL

DESCRIPTION: Topaz Lever 3Th Basin Mixer



PRODUCT DIMENSIONS

Height (mm)	Width (mm)	Depth (mm)	Length (mm)	Nett Wgt Kg
75	246	86		2.8

PACKAGING DIMENSIONS

Height (mm)	Width (mm)	Depth (mm)	Gross Wgt Kg
75	150	430	3

PACKAGING DATA

Box Colour	White Cardboard Box		
Box Qty	1	Label Colour	White Label
Label Size	100 x 50	Label Qty	1

OUTER BOX DIMENSIONS (If Applicable)

Height (mm)	Width (mm)	Depth (mm)	Length (mm)	Gross Wgt Kg
495	555	290		
Barcode	5055275830826			

PRODUCT DETAILS

Country of Origin			
Fitting Instruction	Yes		
Product Material	Brass		
Control Type	Manual		
Waste Included	Waste Included		
WRAS Approval	No	Approval No.	N/A
Operating Pressure (bar)	0.1		
Valve/Cartridge Type	1/4 Turn Ceramic Disc		

Colour/Finish	Chrome									
Mount Type	Deck									
Waste Type	Pop-Up									
Flow Rates (Litres Per Min)	0.1 bar	5.6	0.5 bar	14	1 bar	20.2	2 bar	29	3 bar	35.4
Pipe Size	15 mm (1/2" Bsp)									
Pipe Centres	N/A									