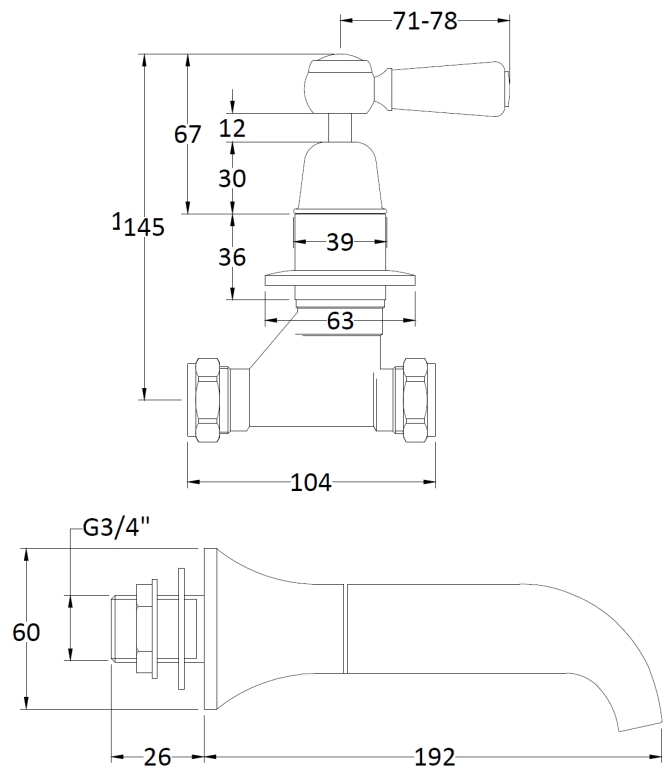


CUSTOMER DATA SHEET - BRASSWARE

SALES CODE: BC309DL

DESCRIPTION: Topaz Lever 3Th Bath Filler



PRODUCT DIMENSIONS

Height (mm)	Width (mm)	Depth (mm)	Length (mm)	Nett Wgt Kg
104		182		2.3

PACKAGING DIMENSIONS

Height (mm)	Width (mm)	Depth (mm)	Gross Wgt Kg
85	185	270	2.5

PACKAGING DATA

Box Colour	White Cardboard Box		
Box Qty	1	Label Colour	White Label
Label Size	100 x 50	Label Qty	1

OUTER BOX DIMENSIONS (If Applicable)

Height (mm)	Width (mm)	Depth (mm)	Length (mm)	Gross Wgt Kg
640	450	200		
Barcode	5055275830833			

PRODUCT DETAILS

Country of Origin	
Fitting Instruction	Yes
Product Material	Brass
Control Type	Manual
Waste Included	Waste Not Included
WRAS Approval	No Approval No. N/A
Operating Pressure (bar)	0.1
Valve/Cartridge Type	1/4 Turn Ceramic Disc

Colour/Finish	Chrome
Mount Type	Wall
Waste Type	Not Applicable
Flow Rates (Litres Per Min)	0.1 bar 9.6 0.5 bar 20 1 bar 28 2 bar 39.5 3 bar 46.8
Pipe Size	15 mm (1/2" Bsp)
Pipe Centres	N/A