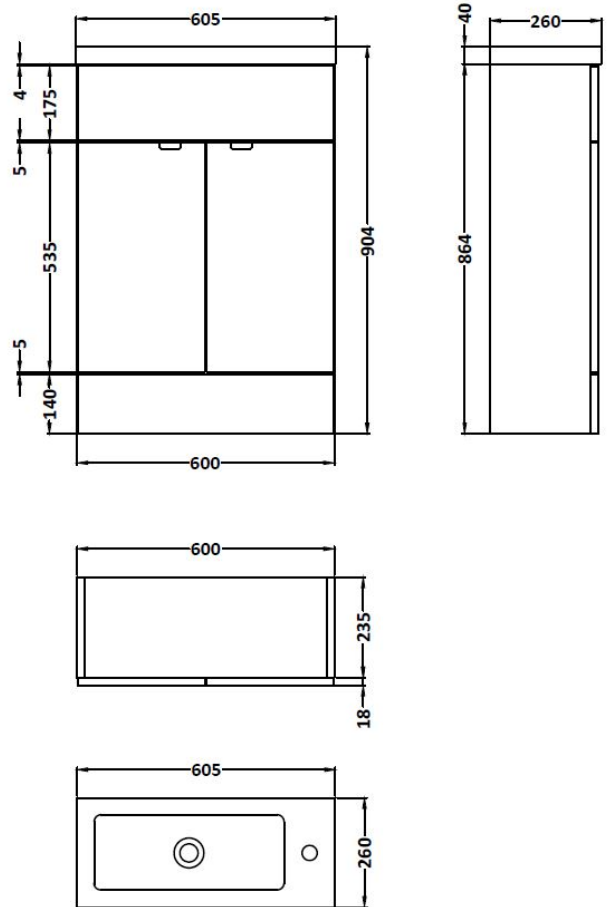


CUSTOMER DATA SHEET

SALES CODE: CBI306

DESCRIPTION: 600mm Compact Vanity Unit & Basin



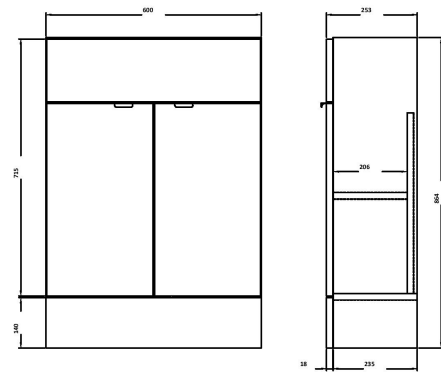
PACKAGING DETAILS

| | |
|-------------|---------------|
| No of Packs | 2 |
| Barcode | 5056211800910 |

CUSTOMER DATA SHEET - FURNITURE

SALES CODE: OFF307

DESCRIPTION: 600 Vanity Unit Compact



PRODUCT DIMENSIONS

| Height (mm) | Width (mm) | Depth (mm) | Nett Wgt Kg |
|-------------|------------|------------|-------------|
| 864 | 600 | 235 | 17 |

PACKAGING DIMENSIONS

| Height (mm) | Width (mm) | Length (mm) | Gross Wgt Kg |
|-------------|------------|-------------|--------------|
| 290 | 625 | 900 | 17 |

PACKAGING DATA

| | | | |
|------------|---------------------|--------------|-------------|
| Box Colour | Brown Cardboard Box | | |
| Box Qty | 1 | Label Colour | White Label |
| Label Size | 50 x 100 | Label Qty | 2 |

OUTER BOX DIMENSIONS (If Applicable)

| Height (mm) | Width (mm) | Depth (mm) | Gross Wgt Kg |
|-------------|---------------|------------|--------------|
| | | | |
| Barcode | 5055275897522 | | |

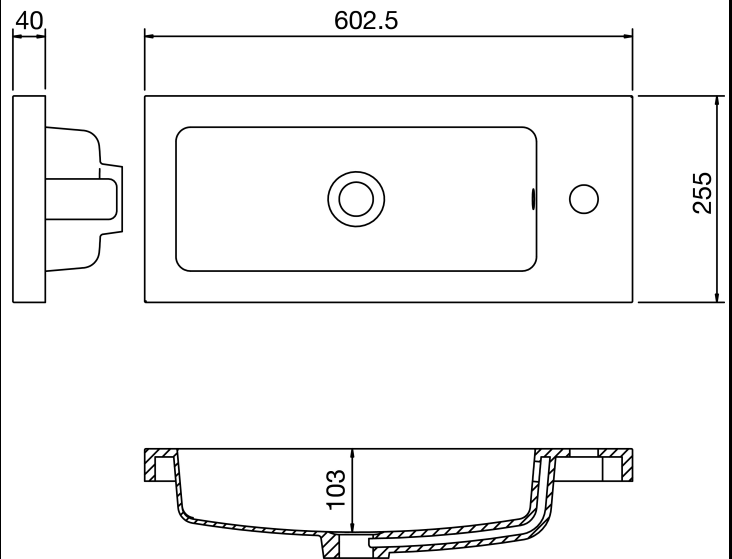
PRODUCT DETAILS

| | | | | |
|---------------------|------------------------------|-----|----|--|
| Country of Origin | United Kingdom | | | |
| Fitting Instruction | Yes | | | |
| Constr' Method | Cam & Wood Dowel | | | |
| Cabinet Finish | MFC Textured Woodgrain | | | |
| Cab Thickness (mm) | 18 | | | |
| Drawer Included | No | | | |
| No of Shelves | 1 | | | |
| Hinge Inc' | Yes | | | |
| Fixings Inc' | Yes | | | |
| Handle Inc' | Yes | | | |
| Handle Type | Wrapover | | | |
| Certification | FSC | Yes | CE | |
| Colour | Natural Oak | | | |
| Constr' Type | Rigid | | | |
| Fascia Finish | MFC Textured Woodgrain | | | |
| Fas Thickness (mm) | 18 | | | |
| Drawer Type | Not Applicable | | | |
| Hinge Type | 95 Degree Clip-On Soft Close | | | |
| Adjustable Legs | No, Not Required | | | |
| Handle Style | Contemporary | | | |
| Waste Shroud | No | | | |

CUSTOMER DATA SHEET - CERAMICS

SALES CODE: PMB303

DESCRIPTION: 600 Side Tape Basin 1Th (602.5X255x40)



PRODUCT DIMENSIONS

| Height (mm) | Width (mm) | Depth (mm) | Nett Wgt Kg |
|-------------|------------|------------|-------------|
| 255 | 603 | 135 | 9 |

PACKAGING DIMENSIONS

| Height (mm) | Width (mm) | Depth (mm) | Gross Wgt Kg |
|-------------|------------|------------|--------------|
| 305 | 205 | 655 | 9 |

PACKAGING DATA

| | | | |
|------------|-------------------------------|--------------|-------------|
| Box Colour | Brown Cardboard Box - Printed | | |
| Box Qty | 1 | Label Colour | White Label |
| Label Size | 100 x 50 | Label Qty | 2 |

OUTER BOX DIMENSIONS (If Applicable)

| Height (mm) | Width (mm) | Depth (mm) | Gross Wgt Kg |
|-------------|------------|---------------|--------------|
| | | | |
| Barcode | | 5055369063048 | |

PRODUCT DETAILS

| | |
|---------------------|-------|
| Country of Origin | China |
| Fitting Instruction | No |

| | | | | | | |
|------------------|------------|-----|------|-----|-------------|-----|
| Certification | CE | Yes | WRAS | N/A | WRAS Number | N/A |
| Product Material | Polymarble | | | | | |

PANS/BIDETS

| | | | |
|------------|----------------|---------------|----------------|
| Trap Style | Not Applicable | Includes Seat | Not Applicable |
|------------|----------------|---------------|----------------|

CISTERNS

| | | | |
|------------|----------------|----------------|----------------|
| Fittings | Not Applicable | Operating Type | Not Applicable |
| Lever Type | Not Applicable | | |

SEAT

| | | | |
|------------|----------------|----------------|----------------|
| Type | Not Applicable | Function | Not Applicable |
| Material | Not Applicable | | |
| Hinge Type | Not Applicable | Hinge Material | Not Applicable |

BASINS

| | | | |
|------------------|--------------|------------------|---------|
| Tap Hole | One Taphole | Chain Stay Hole | No |
| Template | Not Required | Waste Type Req'd | Slotted |
| Overflow Incl. | Yes | Overflow Cover | Yes |
| Inner Bowl Depth | 215mm | | |

GENERAL

| | |
|-----------------|----|
| Fixing Supplied | No |
|-----------------|----|