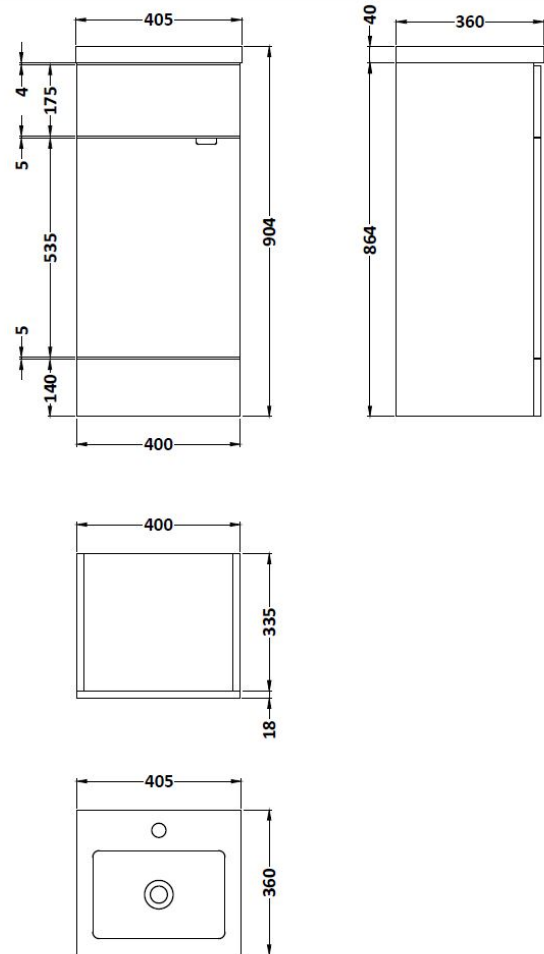


CUSTOMER DATA SHEET

SALES CODE: CBI323

DESCRIPTION: 400mm Fd Vanity Unit & Basin



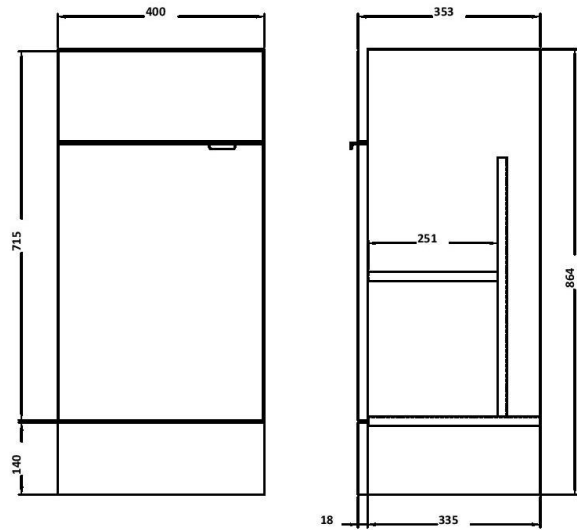
PACKAGING DETAILS

No of Packs	2
Barcode	5056211801085

CUSTOMER DATA SHEET - FURNITURE

SALES CODE: OFF304

DESCRIPTION: 400 Vanity Unit Full Depth



PRODUCT DIMENSIONS

Height (mm)	Width (mm)	Depth (mm)	Nett Wgt Kg
864	400	335	16.1

PACKAGING DIMENSIONS

Height (mm)	Width (mm)	Length (mm)	Gross Wgt Kg
375	425	900	16.1

PACKAGING DATA

Box Colour	Brown Cardboard Box		
Box Qty	1	Label Colour	White Label
Label Size	50 x 100	Label Qty	2

OUTER BOX DIMENSIONS (If Applicable)

Height (mm)	Width (mm)	Depth (mm)	Gross Wgt Kg
Barcode	5055275897553		

PRODUCT DETAILS

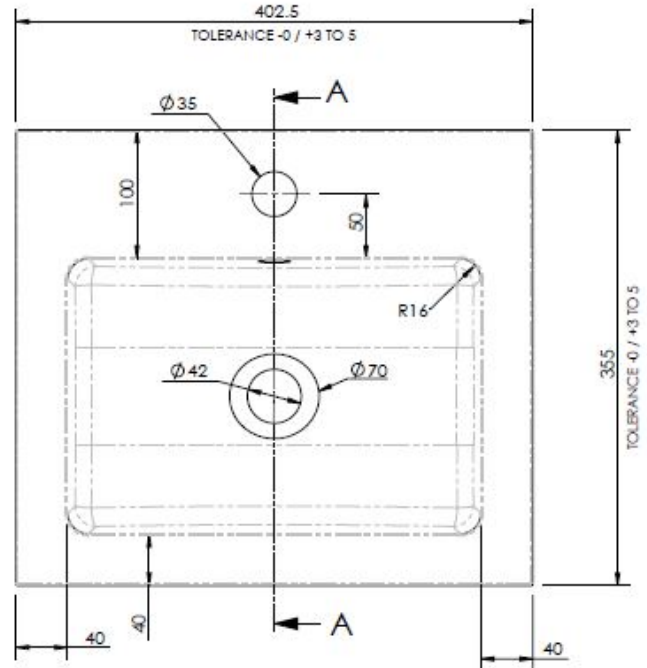
Country of Origin	United Kingdom
Fitting Instruction	Yes
Constr' Method	Cam & Wood Dowel
Cabinet Finish	MFC Textured Woodgrain
Cab Thickness (mm)	18
Drawer Included	No
No of Shelves	1
Hinge Inc'	Yes
Fixings Inc'	Yes
Handle Inc'	Yes
Handle Type	Wrapover

Certification	FSC	Yes	CE
Colour	Natural Oak		
Constr' Type	Rigid		
Fascia Finish	MFC Textured Woodgrain		
Fas Thickness (mm)	18		
Drawer Type	Not Applicable		
Hinge Type	95 Degree Clip-On Soft Close		
Adjustable Legs	No, Not Required		
Handle Style	Contemporary		
Waste Shroud	No		

CUSTOMER DATA SHEET - CERAMICS

SALES CODE: PMB311

DESCRIPTION: 400 Rear Tap Basin 1Th



PRODUCT DIMENSIONS

Height (mm)	Width (mm)	Depth (mm)	Nett Wgt Kg
355	403	135	1

PACKAGING DIMENSIONS

Height (mm)	Width (mm)	Depth (mm)	Gross Wgt Kg
550	450	420	1

PACKAGING DATA

Box Colour	Brown Cardboard Box - Printed		
Box Qty	1	Label Colour	White Label
Label Size	100 x 50	Label Qty	2

OUTER BOX DIMENSIONS (If Applicable)

Height (mm)	Width (mm)	Depth (mm)	Gross Wgt Kg
Barcode		5055369071968	

PRODUCT DETAILS

Country of Origin	China
Fitting Instruction	No

Certification	CE	Yes	WRAS	N/A	WRAS Number	N/A
Product Material	Polymarble					

PANS/BIDETS

Trap Style	Not Applicable	Includes Seat	Not Applicable
------------	----------------	---------------	----------------

CISTERNS

Fittings	Not Applicable	Operating Type	Not Applicable
Lever Type	Not Applicable		

SEAT

Type	Not Applicable	Function	Not Applicable
Material	Not Applicable		
Hinge Type	Not Applicable	Hinge Material	Not Applicable

BASINS

Tap Hole	One Taphole	Chain Stay Hole	No
Template	Not Required	Waste Type Req'd	Slotted
Overflow Incl.	Yes	Overflow Cover	Yes
Inner Bowl Depth	210mm		

GENERAL

Fixing Supplied	No
-----------------	----