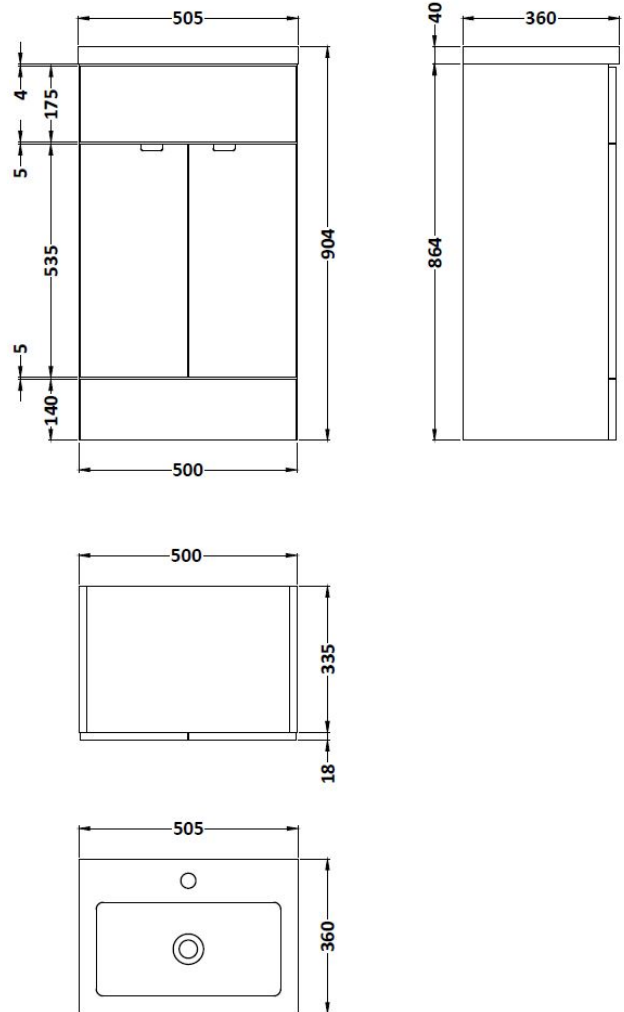


CUSTOMER DATA SHEET

SALES CODE: CBI324

DESCRIPTION: 500mm Fd Vanity Unit & Basin



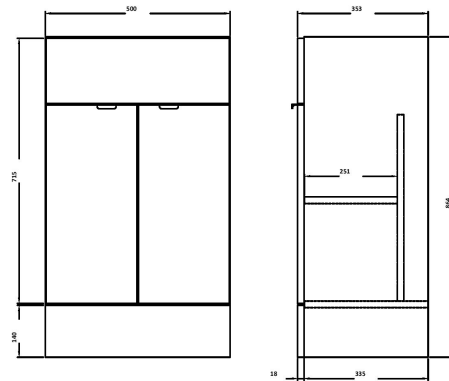
PACKAGING DETAILS

No of Packs	2
Barcode	5056211801092

CUSTOMER DATA SHEET - FURNITURE

SALES CODE: OFF306

DESCRIPTION: 500 Vanity Unit Full Depth



PRODUCT DIMENSIONS

Height (mm)	Width (mm)	Depth (mm)	Nett Wgt Kg
864	500	335	18.4

PACKAGING DIMENSIONS

Height (mm)	Width (mm)	Length (mm)	Gross Wgt Kg
375	525	900	18.4

PACKAGING DATA

Box Colour	Brown Cardboard Box		
Box Qty	1	Label Colour	White Label
Label Size	50 x 100	Label Qty	2

OUTER BOX DIMENSIONS (If Applicable)

Height (mm)	Width (mm)	Depth (mm)	Gross Wgt Kg
Barcode	5055275897560		

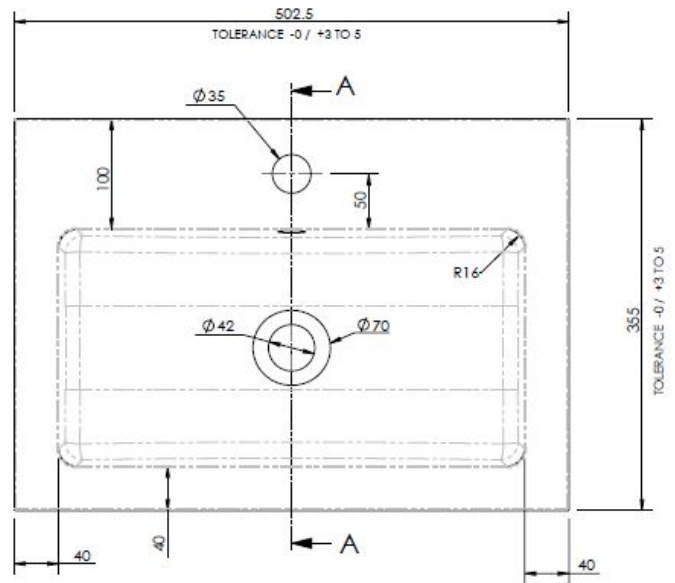
PRODUCT DETAILS

Country of Origin	United Kingdom			
Fitting Instruction	Yes			
Constr' Method	Cam & Wood Dowel			
Cabinet Finish	MFC Textured Woodgrain			
Cab Thickness (mm)	18			
Drawer Included	No			
No of Shelves	1			
Hinge Inc'	Yes			
Fixings Inc'	Yes			
Handle Inc'	Yes			
Handle Type	Wrapover			
Certification	FSC	Yes	CE	
Colour	Natural Oak			
Constr' Type	Rigid			
Fascia Finish	MFC Textured Woodgrain			
Fas Thickness (mm)	18			
Drawer Type	Not Applicable			
Hinge Type	95 Degree Clip-On Soft Close			
Adjustable Legs	No, Not Required			
Handle Style	Contemporary			
Waste Shroud	No			

CUSTOMER DATA SHEET - CERAMICS

SALES CODE: PMB312

DESCRIPTION: 500 Rear Tap Basin 1Th



PRODUCT DIMENSIONS

Height (mm)	Width (mm)	Depth (mm)	Nett Wgt Kg
355	503	135	8.1

PACKAGING DIMENSIONS

Height (mm)	Width (mm)	Depth (mm)	Gross Wgt Kg
420	210	550	8.1

PACKAGING DATA

Box Colour	Brown Cardboard Box - Printed		
Box Qty	1	Label Colour	White Label
Label Size	100 x 50	Label Qty	2

OUTER BOX DIMENSIONS (If Applicable)

Height (mm)	Width (mm)	Depth (mm)	Gross Wgt Kg
Barcode		5055369071975	

PRODUCT DETAILS

Country of Origin	China
Fitting Instruction	No

Certification	CE	Yes	WRAS	N/A	WRAS Number	N/A
Product Material	Polymarble					

PANS/BIDETS

Trap Style	Not Applicable	Includes Seat	Not Applicable
------------	----------------	---------------	----------------

CISTERNS

Fittings	Not Applicable	Operating Type	Not Applicable
Lever Type	Not Applicable		

SEAT

Type	Not Applicable	Function	Not Applicable
Material	Not Applicable		
Hinge Type	Not Applicable	Hinge Material	Not Applicable

BASINS

Tap Hole	One Taphole	Chain Stay Hole	No
Template	Not Required	Waste Type Req'd	Slotted
Overflow Incl.	Yes	Overflow Cover	Yes
Inner Bowl Depth	213mm		

GENERAL

Fixing Supplied	No
-----------------	----