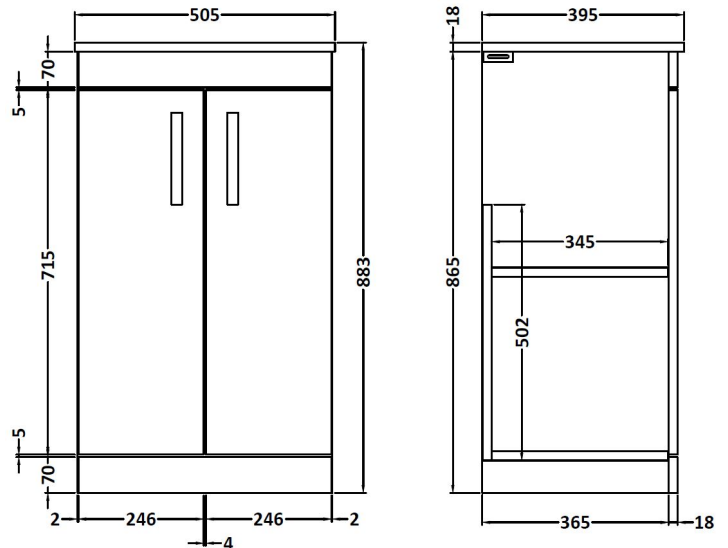


## CUSTOMER DATA SHEET

**SALES CODE:** ATH006W

**DESCRIPTION:** 500 Fs 2-Door Vanity With Worktop



### PACKAGING DETAILS

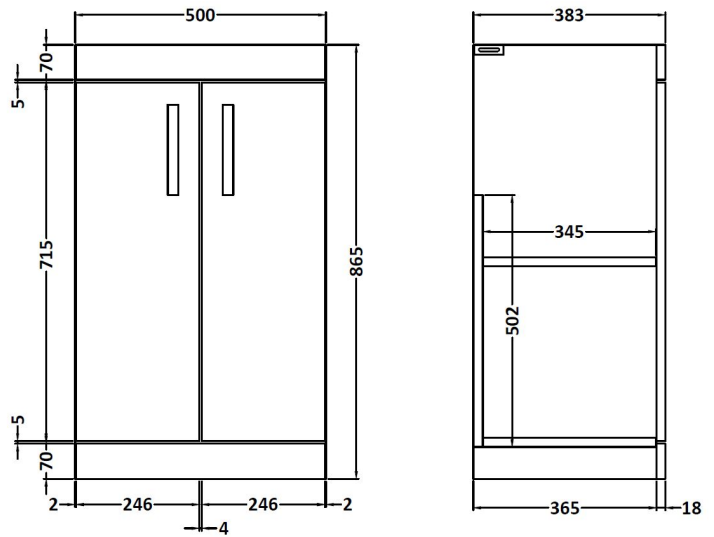
Barcode

5056211801351

## CUSTOMER DATA SHEET - FURNITURE

SALES CODE: MOE102

DESCRIPTION: 500 Floor Standing 2-Door Basin Unit



### PRODUCT DIMENSIONS

Height (mm)	Width (mm)	Depth (mm)	Nett Wgt Kg
865	500	383	10.6

### PACKAGING DIMENSIONS

Height (mm)	Width (mm)	Length (mm)	Gross Wgt Kg
900	530	410	10.6

### PACKAGING DATA

Box Colour	Brown Cardboard Box - Printed		
Box Qty		Label Colour	White Label
Label Size	x	Label Qty	2

### OUTER BOX DIMENSIONS (If Applicable)

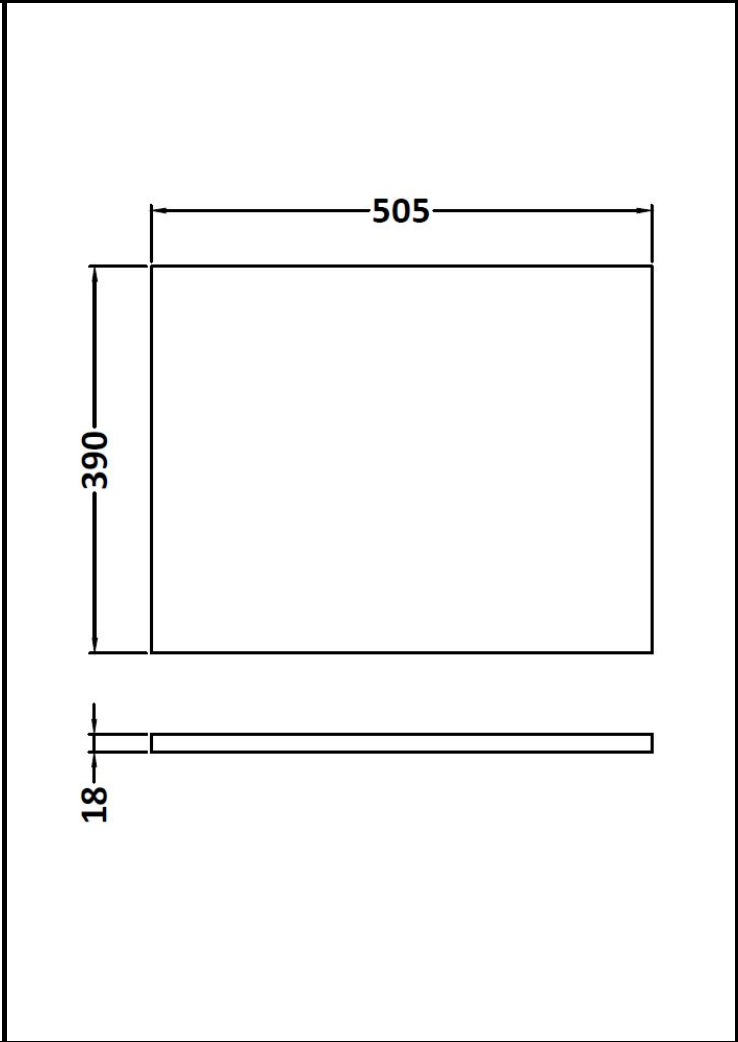
Height (mm)	Width (mm)	Depth (mm)	Gross Wgt Kg
Barcode	5055275880999		

### PRODUCT DETAILS

Country of Origin	China			
Fitting Instruction	No			
Constr' Method	Cam & Wood Dowel			
Cabinet Finish	MFC Painted Gloss			
Cab Thickness (mm)	16			
Drawer Included	No			
No of Shelves	1			
Hinge Inc'	Yes, Supplied			
Fixings Inc'	Yes			
Handle Inc'	Yes, Supplied			
Handle Type	Strap			
Certification	FSC	Yes	CE	N/A
Colour	Gloss White			
Constr' Type	Rigid			
Fascia Finish	Mdf Painted Gloss			
Fas Thickness (mm)	18			
Drawer Type	Not Applicable			
Hinge Type	95 Degree Clip-On Soft Close			
Adjustable Legs	No, Not Required			
Handle Style	Contemporary			
Waste Shroud	No			

## CUSTOMER DATA SHEET - FURNITURE

<b>SALES CODE:</b> MWD150	<b>DESCRIPTION:</b> 500 Worktop (505X390x18mm)
---------------------------	--



PRODUCT DIMENSIONS			
Height (mm)	Width (mm)	Depth (mm)	Nett Wgt Kg
18	505	390	0.55

PACKAGING DIMENSIONS			
Height (mm)	Width (mm)	Length (mm)	Gross Wgt Kg
555	555	555	0.55

PACKAGING DATA			
Box Colour	Brown Cardboard Box - Printed		
Box Qty	1	Label Colour	Not Applicable
Label Size	100 x 50	Label Qty	0

OUTER BOX DIMENSIONS (If Applicable)			
Height (mm)	Width (mm)	Depth (mm)	Gross Wgt Kg
Barcode	5055275826256		

PRODUCT DETAILS				
Country of Origin	United Kingdom			
Fitting Instruction	No			
Constr' Method	Not Applicable			
Cabinet Finish	Not Applicable			
Cab Thickness (mm)				
Drawer Included	Not Applicable			
No of Shelves	Not Applicable			
Hinge Inc'	Not Applicable			
Fixings Inc'	Yes			
Handle Inc'	Not Applicable			
Handle Type	Not Applicable			
Certification	FSC	Yes	CE	N/A
Colour	Gloss White			
Constr' Type	Not Applicable			
Fascia Finish	MFC Painted Gloss			
Fas Thickness (mm)	18			
Drawer Type	Not Applicable			
Hinge Type	Not Applicable			
Adjustable Legs	Not Applicable			
Handle Style	Not Applicable			
Waste Shroud	Not Applicable			